

Thermomagnetic device circuit breaker - CB TM2 0.5A SFB P - 2800868

Please be informed that the data shown in this PDF Document is generated from our Online Catalog. Please find the complete data in the user's documentation. Our General Terms of Use for Downloads are valid (<http://phoenixcontact.com/download>)



Thermomagnetic device circuit breaker, 2-pos., tripping characteristic SFB, 2 PDT contacts, plug for base element.

Product Description

Thermomagnetic device circuit breaker

COMPLETE

Key Commercial Data

| | |
|--------------------------------------|---|
| Packing unit | 1 pc |
| GTIN |  4 046356 690294 |
| GTIN | 4046356690294 |
| Weight per Piece (excluding packing) | 80.000 g |
| Custom tariff number | 85362010 |
| Country of origin | Indonesia |

Technical data

Dimensions

| | |
|--------|---------|
| Height | 45 mm |
| Width | 24.6 mm |
| Depth | 52 mm |

Ambient conditions

| | |
|---|-------------------------------|
| Ambient temperature (operation) | -30 °C ... 60 °C |
| Ambient temperature (storage/transport) | -40 °C ... 80 °C |
| Humidity test | 240 h, 95 % RH, 40 °C |
| Shock (operation) | 30g (IEC 60068-2-27, Test Ea) |
| Vibration (operation) | 8g (IEC 60068-2-6, Test Fc) |

Thermomagnetic device circuit breaker - CB TM2 0.5A SFB P - 2800868

Technical data

Ambient conditions

| | |
|----------------------|-----------------------|
| Degree of protection | IP30 (Actuation area) |
|----------------------|-----------------------|

General

| | |
|--|---|
| Installation instructions | When mounted in rows, the nominal device current can be limited to just 80% or must be overdimensioned accordingly. |
| Flammability rating according to UL 94 | V-0 |
| Mounting type | on base element |
| Color | gray |
| Number of positions | 2 |
| Insulating material group | II |
| Degree of pollution | 2 |
| Type | Male |

Electrical data

| | |
|--|---|
| Fuse type | SFB |
| Rated surge voltage | 2.5 kV (Increased insulation in actuation area) |
| Rated voltage | 80 V DC (IEC 60934) |
| | 80 V DC (UL 1077) |
| | 80 V DC (UL 508 - with plug-in base) |
| Rated current I_N | 0.5 A (IEC 60934) |
| | inductive load according to UL 1077 |
| | 0.5 A DC (low-induction load according to UL 1077) |
| | 0.5 A DC (inductive load according to UL 508 - with plug-in base) |
| | 0.5 A DC (low-induction load according to UL 508 - with plug-in base) |
| Rated insulation voltage U_i | 277 V AC (UL 1077) |
| | 250 V AC (IEC 60934) |
| Power dissipation | 1.25 W (in nominal operation per channel) |
| Device resistance | 5 Ω |
| Insulation resistance R_{iso} | > 100 M Ω (500 V DC) |
| Type of actuation | S type |
| Tripping method | TM (thermomagnetic) |
| Tripping level | Trip-free mechanism (positive) |
| | 600 A (80 V DC) |
| Required backup fuse | ≥ 15 A ($I > I_{cn}$) |
| Short-circuit switching capacity I_k | 1000 A AC (277 V AC) |
| | 1000 A DC (50 V DC) |
| Dielectric strength | 3000 V AC (Actuation area) |
| | 1500 V AC (Main to auxiliary circuit) |

Thermomagnetic device circuit breaker - CB TM2 0.5A SFB P - 2800868

Technical data

Electrical data

| | |
|---|--|
| | 1500 V AC (Open main circuit) |
| | 1000 V AC (Open auxiliary circuit) |
| | 1500 V AC (Position to position) |
| Voltage drop | 2.5 V (at 1 x I _n) |
| Switching cycles, max. | 6000 (240 V AC/1 x I _n) |
| | 3000 (80 V DC/1 x I _n) |
| Auxiliary circuit | 277 V AC / 0.5 A (Low-induction) |
| | 277 V AC / 1 A (Low-induction, maximum of 2000 cycles) |
| | 50 V DC / 1 A (Low-induction) |
| Minimum auxiliary contact operating voltage | 10 V |
| Maximum auxiliary contact operating voltage | 240 V |
| | 240 V |
| Minimum auxiliary contact operating current | 10 mA |
| Maximum auxiliary contact operating current | 1 A |

Standards and Regulations

| | |
|--------------------------|----------|
| Standards/specifications | EN 60934 |
|--------------------------|----------|

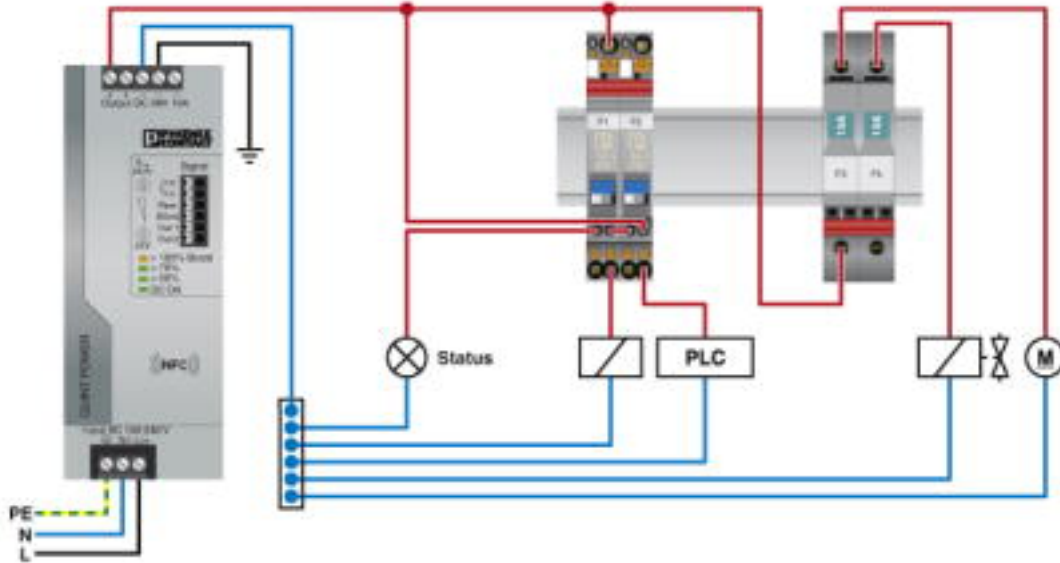
Environmental Product Compliance

| | |
|------------|---|
| REACH SVHC | Lead 7439-92-1 |
| China RoHS | Environmentally Friendly Use Period = 50 |
| | For details about hazardous substances go to tab "Downloads", Category "Manufacturer's declaration" |

Drawings

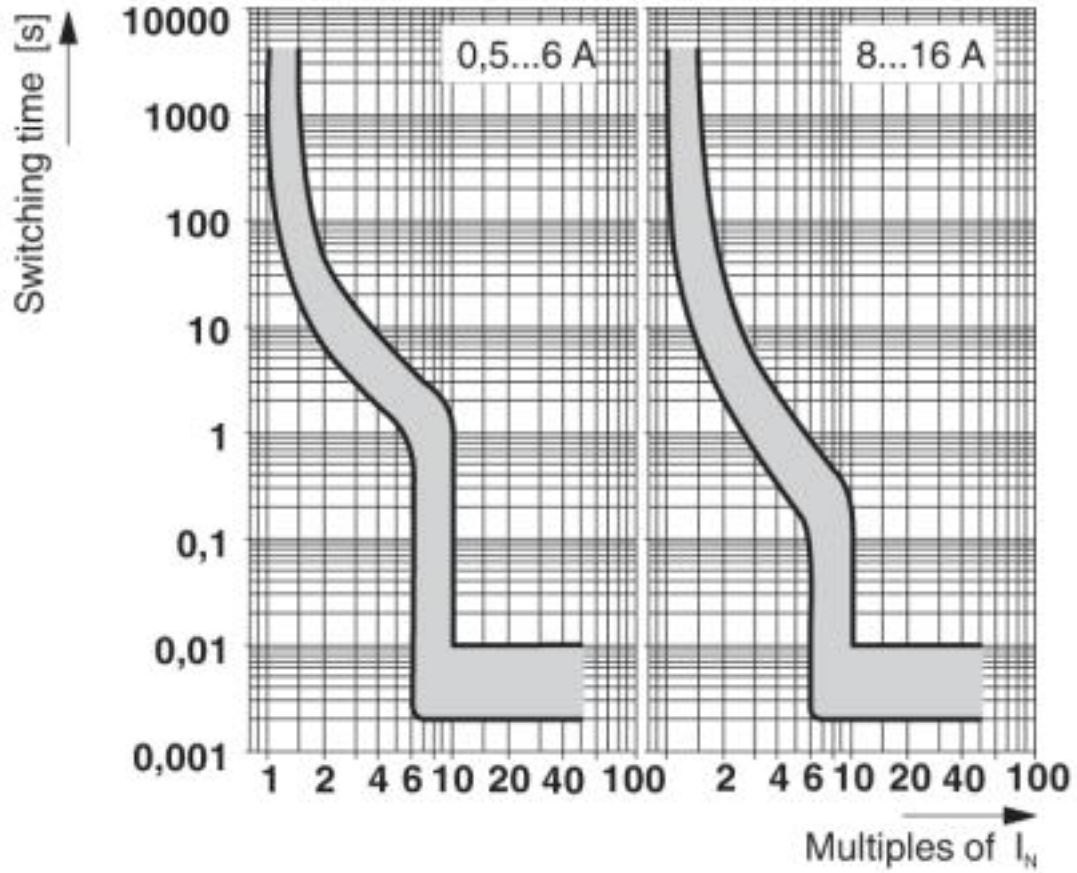
Thermomagnetic device circuit breaker - CB TM2 0.5A SFB P - 2800868

Application drawing



Thermomagnetic device circuit breaker - CB TM2 0.5A SFB P - 2800868

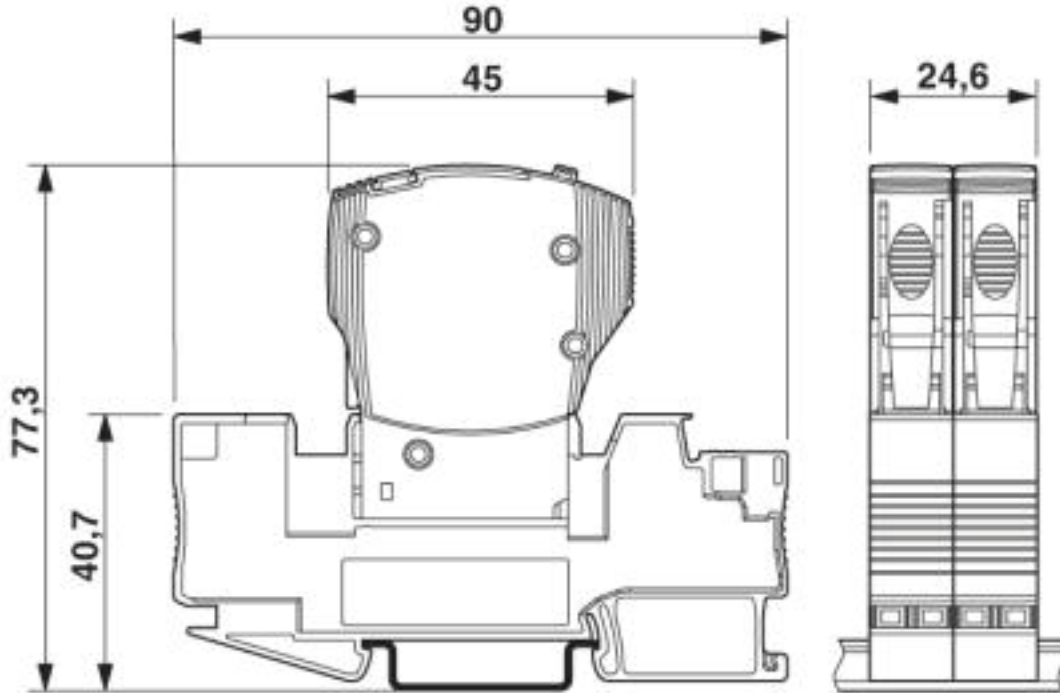
Diagram



Trigger characteristic in the DC range

Thermomagnetic device circuit breaker - CB TM2 0.5A SFB P - 2800868

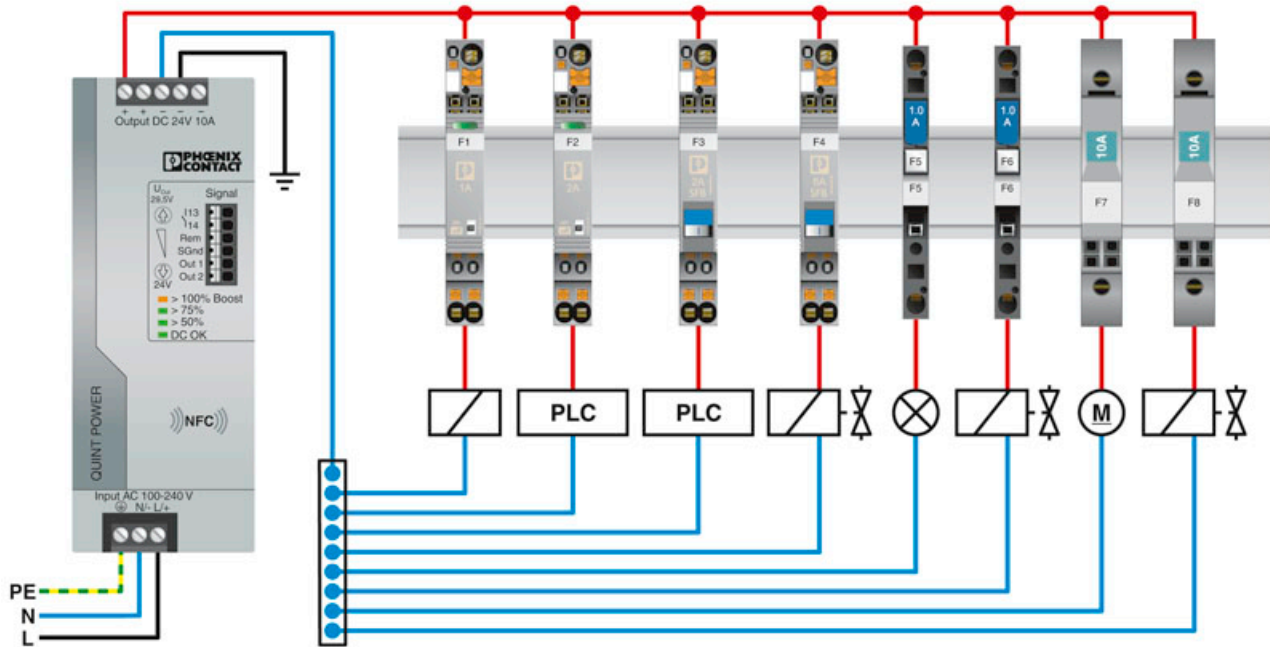
Dimensional drawing



The figure shows the complete module consisting of a base element and connector

Thermomagnetic device circuit breaker - CB TM2 0.5A SFB P - 2800868

Application drawing



The figure shows the single-position versions

Classifications

eCl@ss

| | |
|------------|----------|
| eCl@ss 4.0 | 27141100 |
|------------|----------|

Thermomagnetic device circuit breaker - CB TM2 0.5A SFB P - 2800868

Classifications

eCl@ss

| | |
|------------|----------|
| eCl@ss 4.1 | 27141100 |
| eCl@ss 5.0 | 27141100 |
| eCl@ss 5.1 | 27141100 |
| eCl@ss 6.0 | 27141100 |
| eCl@ss 7.0 | 27141116 |
| eCl@ss 8.0 | 27141116 |
| eCl@ss 9.0 | 27141116 |

ETIM

| | |
|----------|----------|
| ETIM 3.0 | EC000899 |
| ETIM 4.0 | EC000899 |
| ETIM 5.0 | EC000899 |
| ETIM 6.0 | EC000899 |
| ETIM 7.0 | EC000899 |

UNSPSC

| | |
|---------------|----------|
| UNSPSC 6.01 | 30211812 |
| UNSPSC 7.0901 | 39121411 |
| UNSPSC 11 | 39121411 |
| UNSPSC 12.01 | 39121411 |
| UNSPSC 13.2 | 39121410 |
| UNSPSC 18.0 | 39121410 |
| UNSPSC 19.0 | 39121410 |
| UNSPSC 20.0 | 39121410 |
| UNSPSC 21.0 | 39121410 |

Approvals

Approvals

Approvals

CSA / UL Recognized / cUL Recognized / VDE Zeichengenehmigung / EAC / EAC / KC / DNV GL / CCC / cULus Recognized

Ex Approvals

Approval details

Thermomagnetic device circuit breaker - CB TM2 0.5A SFB P - 2800868

Approvals

| | | | |
|------------------------|--|---|---------------------|
| CSA | | http://www.csagroup.org/services-industries/product-listing/ | 2786957 |
| UL Recognized | | http://database.ul.com/cgi-bin/XYVV/template/LISEXT/1FRAME/index.htm | FILE E 140459 |
| cUL Recognized | | http://database.ul.com/cgi-bin/XYVV/template/LISEXT/1FRAME/index.htm | FILE E 140459 |
| VDE Zeichengenehmigung | | http://www2.vde.com/de/Institut/Online-Service/VDE-gepruefteProdukte/Seiten/Online-Suche.aspx | 40034683 |
| EAC | | | EAC-Zulassung |
| EAC | | | RU C-DE.A*30.B01561 |
| KC | | http://eng.kcc.go.kr/user/ehpMain.do | SW05012-15004 |
| DNV GL | | https://approvalfinder.dnvgl.com/ | TAE00003C7 |
| CCC | | | 2019010307158887 |

Thermomagnetic device circuit breaker - CB TM2 0.5A SFB P - 2800868

Approvals

cULus Recognized



Accessories

Accessories

Bridge

Jumper - CB PT BRIDGE - 2801014



Bridge plug for bridging contacts 1 to 2 for CB base elements

Jumper - CB RC BRIDGE - 2801616



Bridge plug for bridging contacts 11 to 14 for CB base elements

Cutting tools

Front cutter - CUTFOX-FBS - 1212124



Cutting tool, for separating individual jumper bars from FBS ... plug-in bridges and EB ... insertion bridges

Jumper

Thermomagnetic device circuit breaker - CB TM2 0.5A SFB P - 2800868

Accessories

Plug-in bridge - FBS 2-6 - 3030336



Plug-in bridge, pitch: 6.2 mm, width: 10.7 mm, number of positions: 2, color: red

Plug-in bridge - FBS 3-6 - 3030242



Plug-in bridge, pitch: 6.2 mm, width: 16.9 mm, number of positions: 3, color: red

Plug-in bridge - FBS 4-6 - 3030255



Plug-in bridge, pitch: 6.2 mm, width: 23.1 mm, number of positions: 4, color: red

Plug-in bridge - FBS 5-6 - 3030349



Plug-in bridge, pitch: 6.2 mm, width: 29.3 mm, number of positions: 5, color: red

Plug-in bridge - FBS 10-6 - 3030271



Plug-in bridge, pitch: 6.2 mm, width: 60.3 mm, number of positions: 10, color: red

Thermomagnetic device circuit breaker - CB TM2 0.5A SFB P - 2800868

Accessories

Plug-in bridge - FBS 20-6 - 3030365



Plug-in bridge, pitch: 6.2 mm, width: 122.3 mm, number of positions: 20, color: red

Plug-in bridge - FBS 50-6 - 3032224



Plug-in bridge, pitch: 6.2 mm, width: 308.3 mm, number of positions: 50, color: red

Labeled terminal marker

Zack Marker strip, flat - ZBF 12 CUS - 0825018



Zack Marker strip, flat, can be ordered: Strip, white, labeled according to customer specifications, mounting type: snap into flat marker groove, for terminal block width: 12 mm, lettering field size: 5.15 x 12.15 mm, Number of individual labels: 5

Terminal marking

Zack Marker strip, flat - ZBF 12:UNBEDRUCKT - 0809735



Zack Marker strip, flat, Strip, white, unlabeled, can be labeled with: PLOTMARK, CMS-P1-PLOTTER, mounting type: snap into flat marker groove, for terminal block width: 12 mm, lettering field size: 5.15 x 12.15 mm, Number of individual labels: 5

Necessary add-on products

Thermomagnetic device circuit breaker - CB TM2 0.5A SFB P - 2800868

Accessories

Base element - CB 1/6-2/4 PT-BE - 2800929



Base element with push-in connection technology for CB ... device circuit breakers

Base element - CB 1/10-1/10 UT-BE - 2801305



Base element with screw connection technology for CB... device circuit breakers
