

Thermomagnetic device circuit breaker - CB TM2 16A SFB P - 2800878

Please be informed that the data shown in this PDF Document is generated from our Online Catalog. Please find the complete data in the user's documentation. Our General Terms of Use for Downloads are valid (<http://phoenixcontact.com/download>)



Thermomagnetic device circuit breaker, 2-pos., tripping characteristic SFB, 2 PDT contacts, plug for base element.

The figure shows the CB TM2 0.5A SFB P version

Product description

Thermomagnetic device circuit breaker



Key commercial data

Packing unit	1 pc
Weight per Piece (excluding packing)	60.0 GRM
Custom tariff number	85362010
Country of origin	Germany

Technical data

General

Installation instructions	When mounted in rows, the nominal device current can be limited to just 80% or must be overdimensioned accordingly.
Inflammability class according to UL 94	V0
Mounting type	On base element
Color	gray
Number of positions	2
Insulating material group	II
Pollution degree	2

Electrical data

Fuse type	SFB
Rated surge voltage	2.5 kV (Increased insulation in actuation area)
Rated voltage	240 V AC (U _e according to IEC 60934)

Thermomagnetic device circuit breaker - CB TM2 16A SFB P - 2800878

Technical data

Electrical data

	277 V AC (UL 1077)
	277 V AC (UL 508 - with plug-in base)
	80 V DC (IEC 60934)
	80 V DC (UL 1077)
	80 V DC (UL 508 - with plug-in base)
Rated current I_n	16 A (IEC 60934)
	16 A AC (inductive load according to UL 1077)
	16 A DC (low-induction load according to UL 1077)
	16 A DC (low-induction load according to UL 508 - with plug-in base)
Rated insulation voltage U_i	277 V AC (UL 1077)
	250 V AC (IEC 60934)
Insulation resistance R_{iso}	> 100 M Ω (500 V DC)
Auxiliary circuit	277 V AC / 0.5 A (Low-induction)
	277 V AC / 1 A (Low-induction, maximum of 2000 cycles)
	50 V DC / 1 A (Low-induction)
Minimum auxiliary contact operating voltage	10 V
Maximum auxiliary contact operating voltage	240 V
	240 V
Minimum auxiliary contact operating current	10 mA
Maximum auxiliary contact operating current	1 A
Type of actuation	S type
Tripping method	TM (thermomagnetic)
Tripping level	Trip-free mechanism (positive)
Required backup fuse	\geq 64 A
Rated short-circuit switching capacity I_{cn}	400 A (240 V AC)
	600 A (80 V DC)
Dielectric strength	3000 V AC (Actuation area)
	1500 V AC (Main to auxiliary circuit)
	1500 V AC (Open main circuit)
	1000 V AC (Open auxiliary circuit)
	1500 V AC (Position to position)
Voltage drop	0.13 V (at 1 x I_n)
Cycles, max.	6000 (240 V AC/1 x I_n)
	3000 (80 V DC/1 x I_n)
Contact type	2 PDT

Dimensions

Thermomagnetic device circuit breaker - CB TM2 16A SFB P - 2800878

Technical data

Dimensions

Height	45 mm
Width	24.6 mm
Depth	52 mm

Ambient conditions

Ambient temperature (operation)	-30 °C ... 60 °C
Ambient temperature (storage/transport)	-40 °C ... 80 °C
Degree of protection	IP30 (Actuation area)

Standards and Regulations

Standards/specifications	EN 60934
	UL 1077
	UL 508
	CSA 22.2 No. 235-041

Classifications

eCl@ss

eCl@ss 4.0	27141116
eCl@ss 4.1	27141116
eCl@ss 5.0	27141116
eCl@ss 5.1	27141116
eCl@ss 6.0	27141116
eCl@ss 7.0	27141116
eCl@ss 8.0	27141116

ETIM

ETIM 3.0	EC000899
ETIM 4.0	EC000899
ETIM 5.0	EC000899

UNSPSC

UNSPSC 6.01	30211812
UNSPSC 7.0901	39121411
UNSPSC 11	39121411
UNSPSC 12.01	39121411
UNSPSC 13.2	39121411

Thermomagnetic device circuit breaker - CB TM2 16A SFB P - 2800878

Approvals

Approvals


Approvals

VDE Zeichengenehmigung / UL Recognized / cUL Recognized / GL / cULus Recognized


Ex Approvals

Approvals submitted


Approval details

VDE Zeichengenehmigung 

UL Recognized 

cUL Recognized 

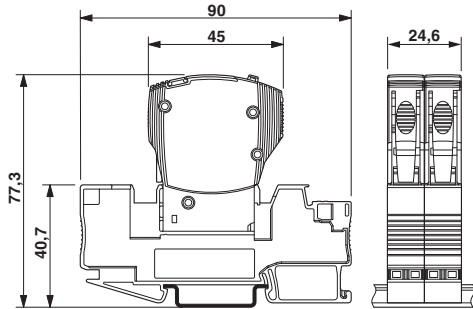
GL

cULus Recognized 

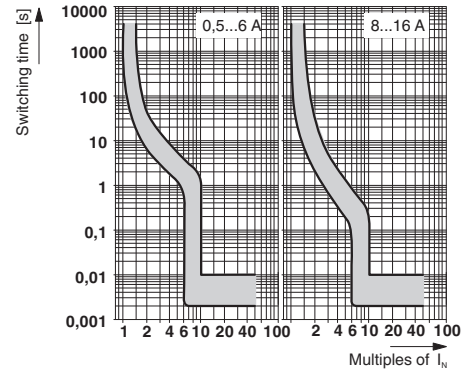
Drawings

Thermomagnetic device circuit breaker - CB TM2 16A SFB P - 2800878

Dimensioned drawing



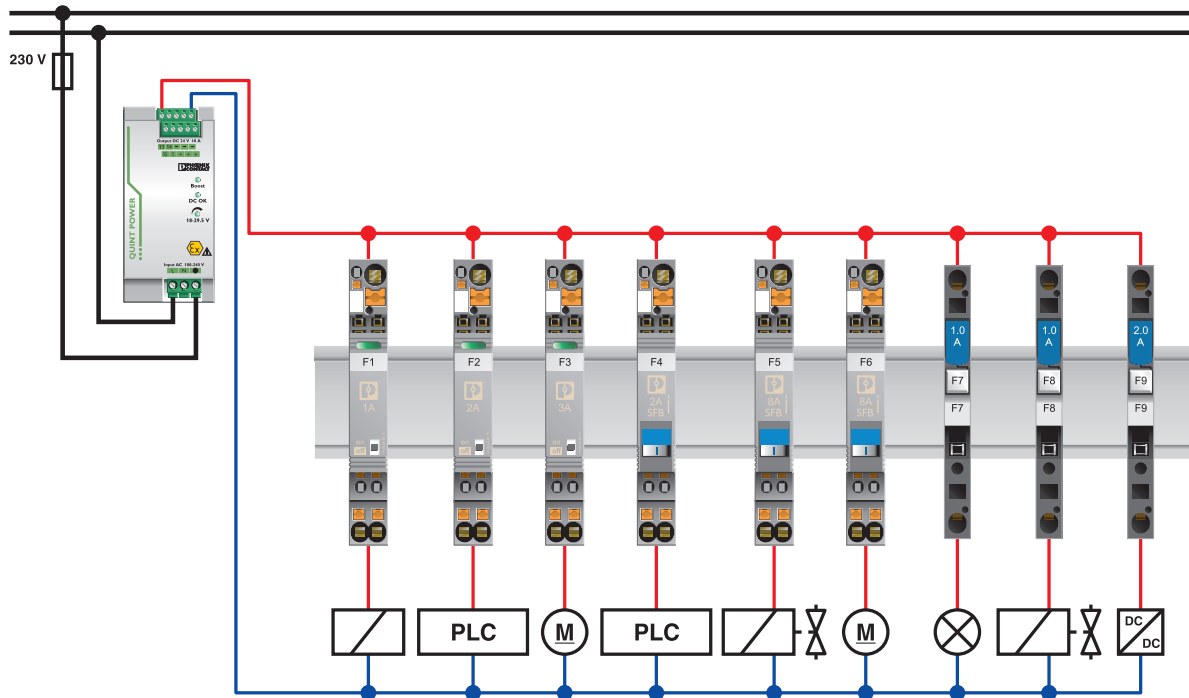
Diagram



The figure shows the complete module consisting of a base element and connector

Trigger characteristic in the DC range

Application drawing



The figure shows the single-position versions

