

# Thermomagnetic device circuit breaker - CB TM2 0.5A M1 P - 2800879

Please be informed that the data shown in this PDF Document is generated from our Online Catalog. Please find the complete data in the user's documentation. Our General Terms of Use for Downloads are valid (<http://phoenixcontact.com/download>)



Thermomagnetic device circuit breaker, 2-pos., tripping characteristic M1 (medium-blow), 2 PDT contacts, plug for base element.

## Product description

Thermomagnetic device circuit breaker



## Key commercial data

Packing unit	1 pc
Weight per Piece (excluding packing)	80.0 GRM
Custom tariff number	85362010
Country of origin	Germany

## Technical data

### General

Installation instructions	When mounted in rows, the nominal device current can be limited to just 80% or must be overdimensioned accordingly.
Inflammability class according to UL 94	V0
Mounting type	On base element
Color	gray
Number of positions	2
Insulating material group	II
Pollution degree	2

### Electrical data

Fuse type	normal blow
Rated surge voltage	2.5 kV (Increased insulation in actuation area)
Rated voltage	240 V AC (Ue according to IEC 60934)
	277 V AC (UL 1077)
	277 V AC (UL 508 - with plug-in base)

# Thermomagnetic device circuit breaker - CB TM2 0.5A M1 P - 2800879

## Technical data

### Electrical data

	80 V DC (IEC 60934)
	80 V DC (UL 1077)
	80 V DC (UL 508 - with plug-in base)
Rated current $I_n$	0.5 A (IEC 60934)
	0.5 A AC (inductive load according to UL 1077)
	0.5 A DC (low-induction load according to UL 1077)
	0.5 A AC (inductive load according to UL 508 - with plug-in base)
	0.5 A DC (low-induction load according to UL 508 - with plug-in base)
Rated insulation voltage $U_i$	277 V AC (UL 1077)
	250 V AC (IEC 60934)
Insulation resistance $R_{iso}$	> 100 M $\Omega$ (500 V DC)
Auxiliary circuit	277 V AC / 0.5 A (Low-induction)
	277 V AC / 1 A (Low-induction, maximum of 2000 cycles)
	50 V DC / 1 A (Low-induction)
Minimum auxiliary contact operating voltage	10 V
Maximum auxiliary contact operating voltage	240 V
	240 V
Minimum auxiliary contact operating current	10 mA
Maximum auxiliary contact operating current	1 A
Type of actuation	S type
Tripping method	TM (thermomagnetic)
Tripping level	Trip-free mechanism (positive)
Required backup fuse	$\geq 15$ A
Rated short-circuit switching capacity $I_{cn}$	400 A (240 V AC)
	600 A (80 V DC)
Dielectric strength	3000 V AC (Actuation area)
	1500 V AC (Main to auxiliary circuit)
	1500 V AC (Open main circuit)
	1000 V AC (Open auxiliary circuit)
	1500 V AC (Position to position)
Voltage drop	2.5 V (at $1 \times I_n$ )
Cycles, max.	6000 (240 V AC/ $1 \times I_n$ )
	3000 (80 V DC/ $1 \times I_n$ )
Contact type	2 PDT

### Dimensions

Height	45 mm
--------	-------

# Thermomagnetic device circuit breaker - CB TM2 0.5A M1 P - 2800879

## Technical data

### Dimensions

Width	24.6 mm
Depth	52 mm

### Ambient conditions

Ambient temperature (operation)	-30 °C ... 60 °C
Ambient temperature (storage/transport)	-40 °C ... 80 °C
Degree of protection	IP30 (Actuation area)

### Standards and Regulations

Standards/specifications	EN 60934
	UL 1077
	UL 508
	CSA 22.2 No. 235-041

## Classifications

### eCl@ss

eCl@ss 4.0	27141116
eCl@ss 4.1	27141116
eCl@ss 5.0	27141116
eCl@ss 5.1	27141116
eCl@ss 6.0	27141116
eCl@ss 7.0	27141116
eCl@ss 8.0	27141116

### ETIM

ETIM 3.0	EC000899
ETIM 4.0	EC000899
ETIM 5.0	EC000899

### UNSPSC

UNSPSC 6.01	30211812
UNSPSC 7.0901	39121411
UNSPSC 11	39121411
UNSPSC 12.01	39121411
UNSPSC 13.2	39121411

## Approvals

### Approvals

# Thermomagnetic device circuit breaker - CB TM2 0.5A M1 P - 2800879

## Approvals

---

Approvals

VDE Zeichengenehmigung / UL Recognized / cUL Recognized / GL / cULus Recognized

---


Ex Approvals


---


Approvals submitted

---

## Approval details

VDE Zeichengenehmigung 

UL Recognized 

cUL Recognized 

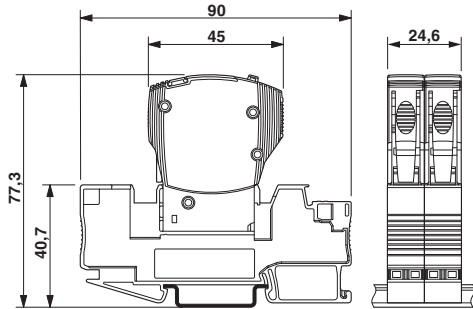
GL

cULus Recognized 

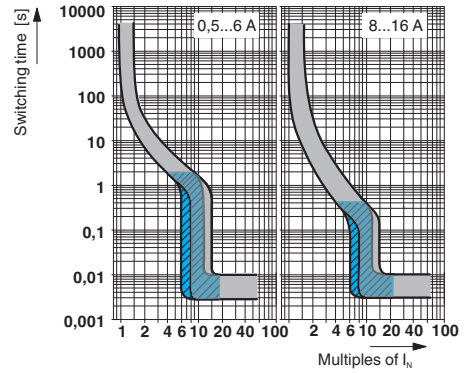
## Drawings

# Thermomagnetic device circuit breaker - CB TM2 0.5A M1 P - 2800879

Dimensioned drawing



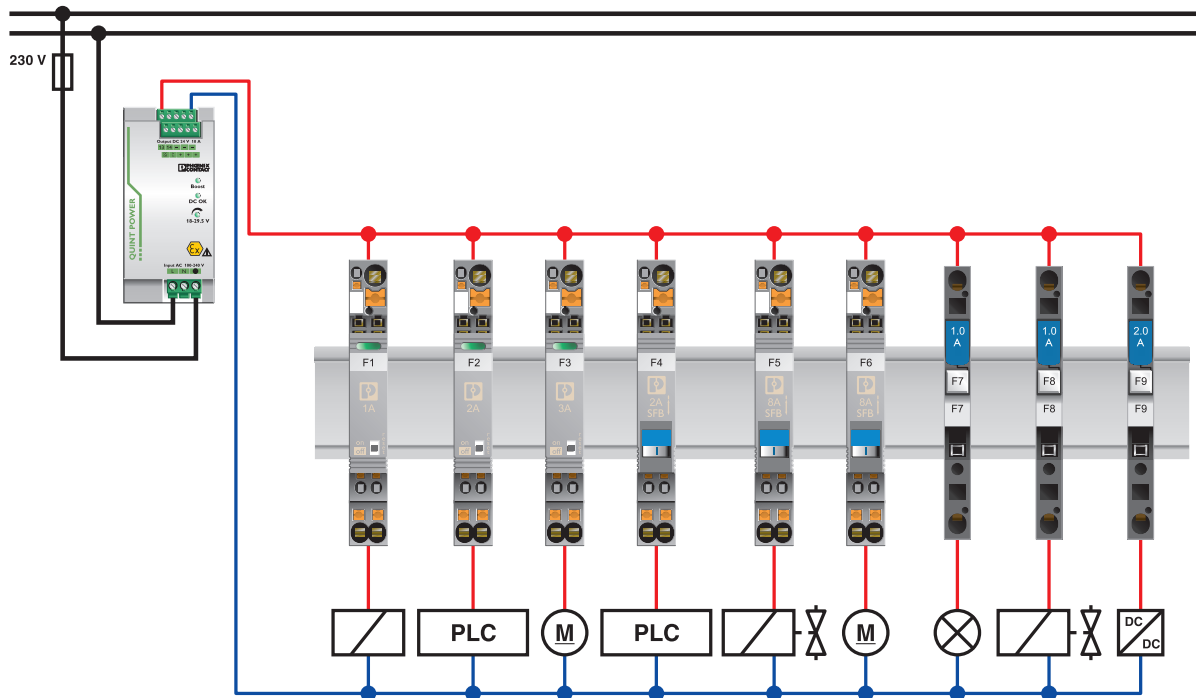
Diagram



The figure shows the complete module consisting of a base element and connector

Trigger characteristic  
 Gray: DC range, blue: AC range

Application drawing



The figure shows the single-position versions

