

Thermomagnetic device circuit breaker - CB TM2 5A F1 P - 2800895

Please be informed that the data shown in this PDF Document is generated from our Online Catalog. Please find the complete data in the user's documentation. Our General Terms of Use for Downloads are valid (<http://phoenixcontact.com/download>)




Thermomagnetic device circuit breaker, 2-pos., tripping characteristic F1 (fast-blow), 2 PDT contacts, plug for base element.

Product Description

Thermomagnetic device circuit breaker

Key Commercial Data

| | |
|--------------------------------------|---|
| Packing unit | 1 STK |
| GTIN |  4 046356 690560 |
| GTIN | 4046356690560 |
| Weight per Piece (excluding packing) | 80.000 g |
| Custom tariff number | 85362010 |
| Country of origin | Germany |

Technical data

Dimensions

| | |
|--------|---------|
| Height | 45 mm |
| Width | 24.6 mm |
| Depth | 52 mm |

Ambient conditions

| | |
|---|-------------------------------|
| Ambient temperature (operation) | -30 °C ... 60 °C |
| Ambient temperature (storage/transport) | -40 °C ... 80 °C |
| Humidity test | 240 h, 95% RH, 40°C |
| Shock (operation) | 15g (IEC 60068-2-27, Test Ea) |
| Degree of protection | IP30 (Actuation area) |

Thermomagnetic device circuit breaker - CB TM2 5A F1 P - 2800895

Technical data

General

| | |
|--|---|
| Installation instructions | When mounted in rows, the nominal device current can be limited to just 80% or must be oversized accordingly. |
| Flammability rating according to UL 94 | V0 |
| Mounting type | on base element |
| Color | gray |
| Number of positions | 2 |
| Insulating material group | II |
| Degree of pollution | 2 |

Electrical data

| | |
|--|---|
| Fuse type | fast blow |
| Rated surge voltage | 2.5 kV (Increased insulation in actuation area) |
| | 80 V DC (IEC 60934) |
| | 80 V DC (UL 1077) |
| | 80 V DC (UL 508 - with plug-in base) |
| Rated current I_N | 5 A (IEC 60934) |
| | inductive load according to UL 1077 |
| | 5 A DC (low-induction load according to UL 1077) |
| | 5 A DC (inductive load according to UL 508 - with plug-in base) |
| | 5 A DC (low-induction load according to UL 508 - with plug-in base) |
| Rated insulation voltage U_i | 277 V AC (UL 1077) |
| | 250 V AC (IEC 60934) |
| Power dissipation | 1.5 W (in nominal operation per channel) |
| Insulation resistance R_{iso} | > 100 M Ω (500 V DC) |
| Type of actuation | S type |
| Tripping method | TM (thermomagnetic) |
| Tripping level | Trip-free mechanism (positive) |
| | 600 A (80 V DC) |
| Required backup fuse | ≥ 20 A ($I > I_{cn}$) |
| Short-circuit switching capacity I_k | 1000 A AC (277 V AC) |
| | 1000 A DC (50 V DC) |
| Dielectric strength | 3000 V AC (Actuation area) |
| | 1500 V AC (Main to auxiliary circuit) |
| | 1500 V AC (Open main circuit) |
| | 1000 V AC (Open auxiliary circuit) |
| | 1500 V AC (Position to position) |
| Voltage drop | 0.31 V (at $1 \times I_n$) |
| Switching cycles, max. | 6000 (240 V AC/ $1 \times I_n$) |

Thermomagnetic device circuit breaker - CB TM2 5A F1 P - 2800895

Technical data

Electrical data

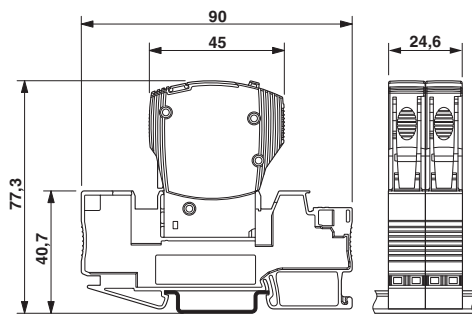
| | |
|---|--|
| | 3000 (80 V DC/1 x I _n) |
| Contact type | 2 PDT |
| Auxiliary circuit | 277 V AC / 0.5 A (Low-induction) |
| | 277 V AC / 1 A (Low-induction, maximum of 2000 cycles) |
| | 50 V DC / 1 A (Low-induction) |
| Minimum auxiliary contact operating voltage | 10 V |
| Maximum auxiliary contact operating voltage | 240 V |
| | 240 V |
| Minimum auxiliary contact operating current | 10 mA |
| Maximum auxiliary contact operating current | 1 A |
| Vibration resistance, frequency | 57 Hz ... 500 Hz |
| Vibration resistance, amplitude | ± 0.38 mm (10 ... 57 Hz) |
| Vibration resistance, acceleration | 49 m/s ² |
| Vibration resistance, test duration | 120 min. (Frequency cycles/axis) |

Standards and Regulations

| | |
|--------------------------|----------------------------|
| Standards/specifications | EN 60934 |
| | UL 1077 UL/C-UL recognized |
| | UL 508 UL/C - UL listed |
| | CSA 22.2 No. 235-041 |

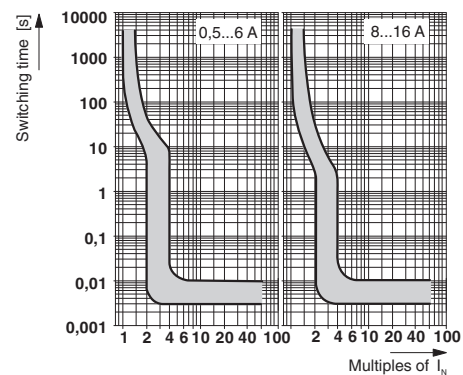
Drawings

Dimensional drawing



The figure shows the complete module consisting of a base element and connector

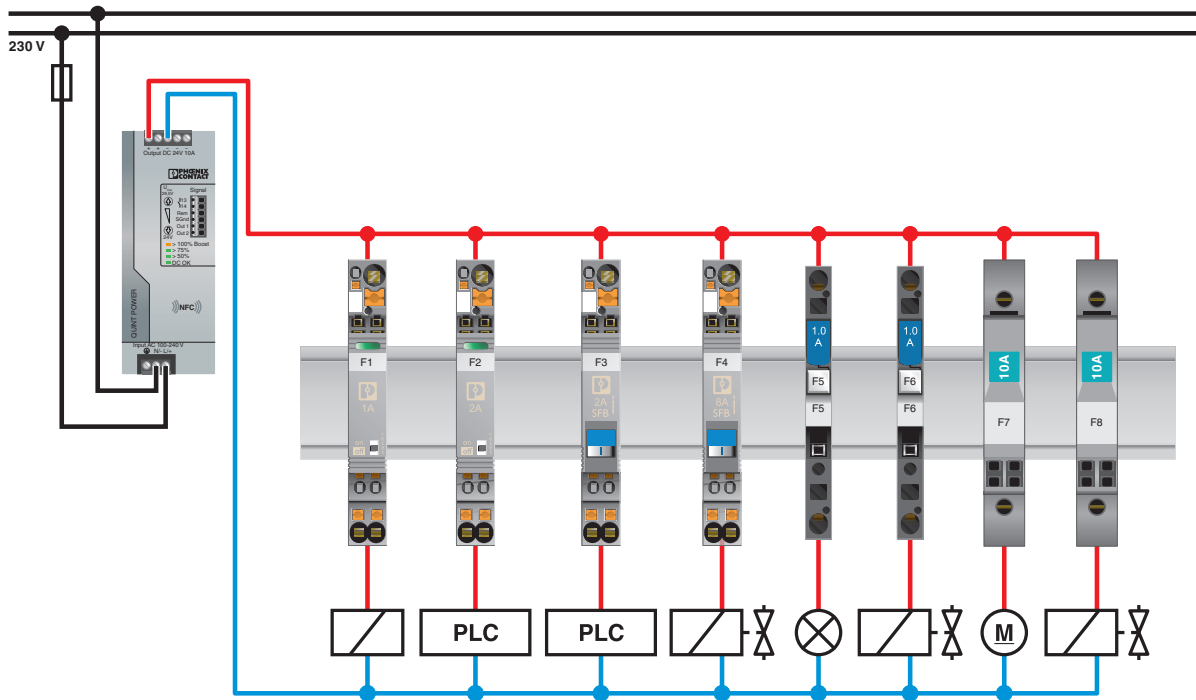
Diagram



Trigger characteristic in the DC range

Thermomagnetic device circuit breaker - CB TM2 5A F1 P - 2800895

Application drawing



The figure shows the single-position versions

Classifications

eCl@ss

| | |
|------------|----------|
| eCl@ss 4.0 | 27141116 |
| eCl@ss 4.1 | 27141116 |
| eCl@ss 5.0 | 27141116 |
| eCl@ss 5.1 | 27141116 |
| eCl@ss 6.0 | 27141116 |
| eCl@ss 7.0 | 27141116 |
| eCl@ss 8.0 | 27141116 |
| eCl@ss 9.0 | 27141116 |

ETIM

| | |
|----------|----------|
| ETIM 3.0 | EC000899 |
|----------|----------|

Thermomagnetic device circuit breaker - CB TM2 5A F1 P - 2800895

Classifications

ETIM

| | |
|----------|----------|
| ETIM 4.0 | EC000899 |
| ETIM 5.0 | EC000899 |
| ETIM 6.0 | EC000899 |

UNSPSC

| | |
|---------------|----------|
| UNSPSC 6.01 | 30211812 |
| UNSPSC 7.0901 | 39121411 |
| UNSPSC 11 | 39121411 |
| UNSPSC 12.01 | 39121411 |
| UNSPSC 13.2 | 39121410 |

Approvals

Approvals

Approvals

VDE Zeichengenehmigung / UL Recognized / cUL Recognized / GL / EAC / CSA / KC / cULus Recognized

Ex Approvals

Approval details

| | | | |
|------------------------|--|---|----------|
| VDE Zeichengenehmigung | | http://www.vde.com/en/Institute/OnlineService/VDE-approved-products/Pages/Online-Search.aspx | 40034683 |
|------------------------|--|---|----------|

| | | | |
|---------------|--|---|---------------|
| UL Recognized | | http://database.ul.com/cgi-bin/XYV/template/LISEXT/1FRAME/index.htm | FILE E 140459 |
|---------------|--|---|---------------|

| | | | |
|----------------|--|---|---------------|
| cUL Recognized | | http://database.ul.com/cgi-bin/XYV/template/LISEXT/1FRAME/index.htm | FILE E 140459 |
|----------------|--|---|---------------|

| | | | |
|----|--|---|-------------|
| GL | | http://exchange.dnv.com/tari/ | 61419-13 HH |
|----|--|---|-------------|

Thermomagnetic device circuit breaker - CB TM2 5A F1 P - 2800895

Approvals

| | | | |
|------------------|--|---|---------------------|
| EAC | | | RU C-DE.A*30.B01561 |
| CSA | | http://www.csagroup.org/services-industries/product-listing/ | 2786957 |
| KC | | http://eng.kcc.go.kr/user/ehpMain.do | SW05012-15006 |
| cULus Recognized | | http://database.ul.com/cgi-bin/XYVV/template/LISEXT/1FRAME/index.htm | |

Accessories

Accessories

Bridge

Jumper - CB PT BRIDGE - 2801014



Bridge plug for bridging contacts 1 to 2 for CB base elements

Jumper - CB RC BRIDGE - 2801616



Bridge plug for bridging contacts 11 to 14 for CB base elements

Cutting tools

Thermomagnetic device circuit breaker - CB TM2 5A F1 P - 2800895

Accessories

Front cutter - CUTFOX-FBS - 1212124



Cutting tool, for separating individual jumper bars from FBS ... plug-in bridges and EB ... insertion bridges

Jumper

Plug-in bridge - FBS 2-6 - 3030336



Plug-in bridge, pitch: 6.2 mm, width: 10.7 mm, number of positions: 2, color: red

Plug-in bridge - FBS 3-6 - 3030242



Plug-in bridge, pitch: 6.2 mm, width: 16.9 mm, number of positions: 3, color: red

Plug-in bridge - FBS 4-6 - 3030255



Plug-in bridge, pitch: 6.2 mm, width: 23.1 mm, number of positions: 4, color: red

Plug-in bridge - FBS 5-6 - 3030349



Plug-in bridge, pitch: 6.2 mm, width: 29.3 mm, number of positions: 5, color: red

Thermomagnetic device circuit breaker - CB TM2 5A F1 P - 2800895

Accessories

Plug-in bridge - FBS 10-6 - 3030271



Plug-in bridge, pitch: 6.2 mm, width: 60.3 mm, number of positions: 10, color: red

Plug-in bridge - FBS 20-6 - 3030365



Plug-in bridge, pitch: 6.2 mm, width: 122.3 mm, number of positions: 20, color: red

Plug-in bridge - FBS 50-6 - 3032224



Plug-in bridge, pitch: 6.2 mm, width: 308.3 mm, number of positions: 50, color: red

Labeled terminal marker

Zack Marker strip, flat - ZBF 12 CUS - 0825018



Zack Marker strip, flat, can be ordered: Strip, white, labeled according to customer specifications, mounting type: snap into flat marker groove, for terminal block width: 12 mm, lettering field size: 5.15 x 12.15 mm

Terminal marking

Zack Marker strip, flat - ZBF 12:UNBEDRUCKT - 0809735



Zack Marker strip, flat, Strip, white, unlabeled, can be labeled with: CMS-P1-PLOTTER, PLOTMARK, mounting type: snap into flat marker groove, for terminal block width: 12 mm, lettering field size: 5.15 x 12.15 mm

Thermomagnetic device circuit breaker - CB TM2 5A F1 P - 2800895

Accessories

Necessary add-on products

Base element - CB 1/6-2/4 PT-BE - 2800929



Base element with push-in connection technology for CB ... device circuit breakers

Base element - CB 1/10-1/10 UT-BE - 2801305



Base element with screw connection technology for CB... device circuit breakers
