

Surge protection plug - PT 4X1-24AC-ST - 2838351

Please be informed that the data shown in this PDF Document is generated from our Online Catalog. Please find the complete data in the user's documentation. Our General Terms of Use for Downloads are valid (<http://phoenixcontact.com/download>)



Protective plug PT with protective circuit for 4 conductors of signal circuits grounded on one side. Nominal voltage: 24 V AC

Product Features

- Plugs can be checked with CHECKMASTER
- Installed in conjunction with the PT 4x1...-BE base element
- Maximum ease of maintenance thanks to the two-piece design
- Base element remains an integral part of the installation
- Consistent plug-in signal circuit protection
- Protection for four conductors with common reference potential
- Impedance-neutral disconnection of plug for test and maintenance purposes



Key Commercial Data

| | |
|--------------------------------------|----------|
| Packing unit | 1 pc |
| Weight per Piece (excluding packing) | 25.96 g |
| Custom tariff number | 85363010 |
| Country of origin | Germany |

Technical data

Dimensions

| | |
|------------------------|---------|
| Height | 45 mm |
| Width | 17.7 mm |
| Depth | 52 mm |
| Horizontal pitch | 1 Div. |
| Complete module height | 90 mm |

Surge protection plug - PT 4X1-24AC-ST - 2838351

Technical data

Dimensions

| | |
|-----------------------|---------|
| Complete module width | 17.7 mm |
| Complete module depth | 65.5 mm |

Ambient conditions

| | |
|---------------------------------|------------------|
| Ambient temperature (operation) | -40 °C ... 85 °C |
| Degree of protection | IP20 |

General

| | |
|--|--|
| Housing material | PA 6.6 |
| Flammability rating according to UL 94 | V0 |
| Color | black |
| Standards for clearances and creepage distances | VDE 0110-1 |
| | IEC 60664-1 |
| Mounting type | On base element |
| Type | DIN rail module, two-section, divisible |
| Direction of action | Line-Line & Line-Signal Ground/Shield & optional Signal Ground/Shield-Earth Ground |
| Arrester can be tested with CHECKMASTER from software version: | From SW rev. 1.00 |

Protective circuit

| | |
|---|-------------------------------------|
| IEC test classification | C1 |
| | C2 |
| | C3 |
| | D1 |
| VDE requirement class | C1 |
| | C2 |
| | C3 |
| | D1 |
| Nominal voltage U_N | 24 V AC |
| Maximum continuous voltage U_C | 40 V DC |
| | 28 V AC |
| Maximum continuous voltage U_C (wire-ground) | 40 V DC |
| | 28 V AC |
| Nominal current I_N | 300 mA (45°C) |
| Operating effective current I_C at U_C | $\leq 5 \mu A$ |
| Residual current I_{PE} | $\leq 1 \mu A$ (BE: 4x1+F) |
| | $\leq 20 \mu A$ (Directly grounded) |
| Nominal discharge current I_n (8/20) μs (Core-Earth) | 10 kA |
| Total surge current (8/20) μs | 20 kA |

Surge protection plug - PT 4X1-24AC-ST - 2838351

Technical data

Protective circuit

| | |
|--|-------------------------------------|
| Max. discharge current I_{max} (8/20) μ s maximum (Core-Earth) | 10 kA |
| Nominal pulse current I_{an} (10/1000) μ s (Core-Earth) | 23 A |
| Impulse discharge current (10/350) μ s, peak value I_{imp} | 2.5 kA (per path) |
| Output voltage limitation at 1 kV/ μ s (Core-Earth) spike | ≤ 60 V |
| Output voltage limitation at 1 kV/ μ s (Core-Earth) static | ≤ 55 V |
| Residual voltage at I_n (conductor-ground) | ≤ 55 V |
| Voltage protection level U_p (core-ground) | ≤ 100 V (C2 - 10 kV/5 kA) |
| Response time t_A (Core-Earth) | ≤ 1 ns |
| Input attenuation a_E , asym. | 0.5 dB (≤ 1.5 MHz) |
| Cut-off frequency f_g (3 dB), asym. (PE) in 50 Ohm system | typ. 8 MHz |
| Cut-off frequency f_g (3 dB), asym. (PE) in 150 Ohm system | typ. 3 MHz |
| Cut-off frequency f_g (3 dB), asym. (PE) in 600 Ohm system | typ. 800 kHz |
| Capacity (Core-Earth) | 1.1 nF |
| Resistance in series | 4.7 Ω 10 % (Path 1-2/5-6) |
| | 4.7 Ω 10 % (Path 7-8, 11-12) |
| Surge protection fault message | None |
| Max. required back-up fuse | 315 mA (e.g. T (IEC 127-2/III)) |
| Impulse durability (conductor-ground) | C2 - 10 kV/5 kA |
| | D1 - 2,5 kA |

Connection data

| | |
|---------------------|--|
| Connection method | Screw connection (in connection with the base element) |
| Connection type IN | PLUGTRAB plug-in system |
| Connection type OUT | PLUGTRAB plug-in system |

Standards and Regulations

| | |
|-----------------------|-----------------|
| Standards/regulations | IEC 61643-21 |
| | DIN EN 61643-21 |
| | UL 497B |

Classifications

eCl@ss

| | |
|------------|----------|
| eCl@ss 4.0 | 27140201 |
| eCl@ss 4.1 | 27130801 |
| eCl@ss 5.0 | 27130801 |
| eCl@ss 5.1 | 27130801 |
| eCl@ss 6.0 | 27130807 |

Surge protection plug - PT 4X1-24AC-ST - 2838351

Classifications

eCl@ss

| | |
|------------|----------|
| eCl@ss 7.0 | 27130807 |
| eCl@ss 8.0 | 27130807 |
| eCl@ss 9.0 | 27130807 |

ETIM

| | |
|----------|----------|
| ETIM 2.0 | EC000943 |
| ETIM 3.0 | EC000943 |
| ETIM 4.0 | EC000943 |
| ETIM 5.0 | EC000943 |

UNSPSC

| | |
|---------------|----------|
| UNSPSC 6.01 | 30212010 |
| UNSPSC 7.0901 | 39121610 |
| UNSPSC 11 | 39121610 |
| UNSPSC 12.01 | 39121610 |
| UNSPSC 13.2 | 39121620 |

Approvals

Approvals

Approvals


UL Listed / EAC

Ex Approvals

UL Listed / cUL Listed / cULus Listed

Approvals submitted

Approval details

| | |
|---|-------|
| UL Listed  | |
| Nominal current I _N | 0.3 A |

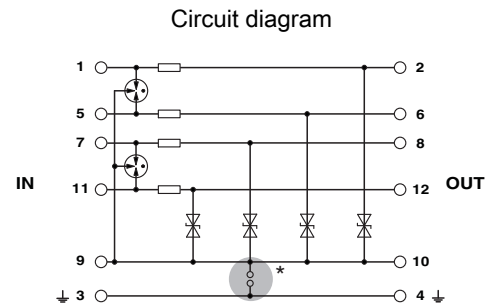
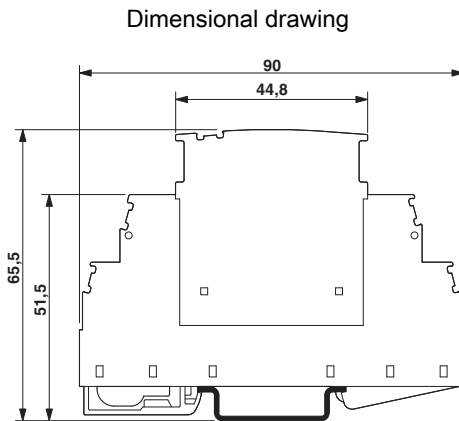
Surge protection plug - PT 4X1-24AC-ST - 2838351

Approvals

| | |
|--------------------|------|
| Nominal voltage UN | 34 V |
|--------------------|------|

| |
|-----|
| EAC |
|-----|

Drawings



The figure shows the complete module consisting of a base element and connector