

Surge protection device - C-TV-SAT - 2856993

Please be informed that the data shown in this PDF Document is generated from our Online Catalog. Please find the complete data in the user's documentation. Our General Terms of Use for Downloads are valid (<http://phoenixcontact.com/download>)




Attachment plug with surge protection for antenna inputs with F connector

Why buy this product

- Protective adapter for antenna connections
- TV or F connector
- Use on broadband cable or SAT connection

RoHS IP20

Key Commercial Data

Packing unit	1 STK
GTIN	 4 017918 915179
GTIN	4017918915179
Weight per Piece (excluding packing)	68.900 g
Custom tariff number	85363010
Country of origin	Germany

Technical data

Dimensions

Height	44 mm
Width	28 mm
Depth	66 mm

Ambient conditions

Ambient temperature (operation)	-25 °C ... 75 °C
Altitude	≤ 2000 m (amsl (above mean sea level))

Surge protection device - C-TV-SAT - 2856993

Technical data

Ambient conditions

Degree of protection	IP20
----------------------	------

General

Housing material	PA 6.6
Flammability rating according to UL 94	V-0
Color	jet black RAL 9005
Overvoltage category	II
Degree of pollution	2
Mounting type	Connection-specific intermediate plugging
Type	Attachment plug
Number of positions	1
Direction of action	Line-Shield/Earth Ground

Protective circuit

IEC test classification	C1
	C2
	C3
	D1
Maximum continuous voltage U_C	24 V DC
Rated current	1.5 A (25 °C)
Operating effective current I_C at U_C	$\leq 1 \mu A$
Residual current I_{PE}	$\leq 1 \mu A$
Nominal discharge current I_n (8/20) μs (Core-Shield)	2.5 kA
Nominal pulse current I_{an} (10/1000) μs (Core-Shield)	120 A
Output voltage limitation at 1 kV/ μs (Core-Shield) spike	$\leq 600 V$
Output voltage limitation at 1 kV/ μs (Core-Shield) static	$\leq 600 V$
Residual voltage at I_n (conductor-shield)	$\leq 30 V$
Voltage protection level U_p (core-shield)	$\leq 700 V$ (C2 - 4 kV / 2 kA)
	$\leq 800 V$ (C2 - 5 kV/2,5 kA)
Response time t_A (core-GND)	$\leq 100 ns$
Input attenuation aE , asym.	typ. 0.5 dB ($\leq 2.4 GHz / 75 \Omega$)
Cut-off frequency f_g (3 dB), asym. (shield) in 75 Ohm system	$> 3 GHz$
Frequency range	4.7 MHz ... 2.5 GHz
Capacity asymmetrical (shield)	typ. 10 pF
Surge protection fault message	none
Impulse durability (core-shield)	C2 - 4 kV/2 kA
	C2 - 5 kV / 2.5 kA
	C3 - 100 A

Surge protection device - C-TV-SAT - 2856993

Technical data

Protective circuit

	D1 - 500 A
Alternating current carrying capacity (conductor-shield)	5 A - 1 s
Pulse reset time (conductor-shield)	< 3 s

Connection data

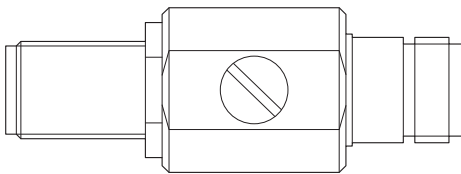
Connection method	F connector
Connection method IN	F connector, female
Connection method OUT	F connector, female

Standards and Regulations

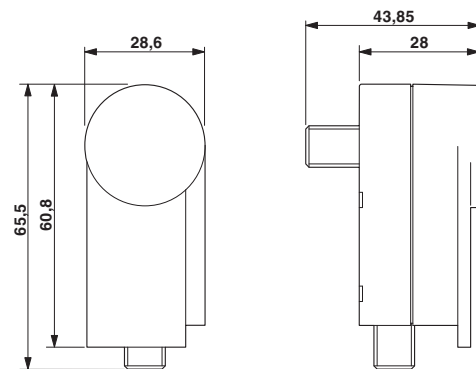
Standards/specifications	IEC 61643-21 2012
	EN 61643-21 2013
	EN 50083 CLASS-A

Drawings

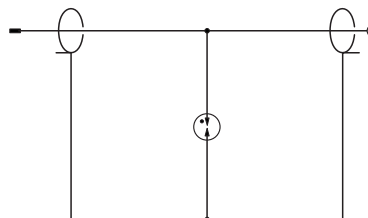
Product drawing



Dimensional drawing



Circuit diagram



Surge protection device - C-TV-SAT - 2856993

Classifications

eCl@ss

eCl@ss 4.0	27140201
eCl@ss 4.1	27130801
eCl@ss 5.0	27130801
eCl@ss 5.1	27130801
eCl@ss 6.0	27130807
eCl@ss 7.0	27130807
eCl@ss 8.0	27130807
eCl@ss 9.0	27130807

ETIM

ETIM 2.0	EC000943
ETIM 3.0	EC000943
ETIM 4.0	EC000943
ETIM 5.0	EC000943
ETIM 6.0	EC000943

UNSPSC

UNSPSC 6.01	30212010
UNSPSC 7.0901	39121610
UNSPSC 11	39121610
UNSPSC 12.01	39121610
UNSPSC 13.2	39121620

Approvals

Approvals

Approvals

EAC

Ex Approvals

Approval details

EAC		RU C- DE.A*30.B01561
-----	--	-------------------------

