

## Inline ME terminal - IB IL AO 2/U/BP-ME - 2863957

Please be informed that the data shown in this PDF Document is generated from our Online Catalog. Please find the complete data in the user's documentation. Our General Terms of Use for Downloads are valid (<http://phoenixcontact.com/download>)



Inline, Analog output terminal, Analog outputs: 2, 0 V ... 10 V, -10 V ... 10 V, connection method: 2-wire, transmission speed in the local bus: 500 kbps, degree of protection: IP20, including Inline connector and labeling field

### Product Description


The terminal is designed for use within an Inline station. It is used to output analog voltage signals.

### Your advantages

- Connection of sensors in 2 or 3-wire technology



### Key Commercial Data

Packing unit	1 pc
GTIN	 4 017918 962647
GTIN	4017918962647
Weight per Piece (excluding packing)	85.600 g
Custom tariff number	85389091
Country of origin	Germany

### Technical data

#### Note

Utilization restriction	EMC: class A product, see manufacturer's declaration in the download area
-------------------------	---

#### Dimensions

Width	12.2 mm
Height	119.8 mm
Depth	71.5 mm

## Inline ME terminal - IB IL AO 2/U/BP-ME - 2863957

### Technical data

#### Ambient conditions

Ambient temperature (operation)	-25 °C ... 55 °C
Ambient temperature (storage/transport)	-25 °C ... 85 °C
Permissible humidity (operation)	10 % ... 95 % (according to DIN EN 61131-2)
Permissible humidity (storage/transport)	10 % ... 95 % (according to DIN EN 61131-2)
Air pressure (operation)	70 kPa ... 106 kPa (up to 3000 m above sea level)
Air pressure (storage/transport)	70 kPa ... 106 kPa (up to 3000 m above sea level)
Degree of protection	IP20

#### General

Mounting type	DIN rail
Net weight	48 g

#### Interfaces

Designation	Inline local bus
No. of channels	2
Connection method	Inline data jumper
Transmission speed	500 kbps
Transmission physics	Copper

#### Inline potentials

Designation	Communications power ( $U_L$ )
Supply voltage	7.5 V DC (via voltage jumper)
Current consumption	typ. 33 mA
	max. 40 mA
Designation	Supply of analog modules ( $U_{ANA}$ )
Supply voltage	24 V DC (via voltage jumper)
Supply voltage range	19.2 V DC ... 30 V DC (including all tolerances, including ripple)
Current consumption	typ. 18 mA (No-load)
	max. 28 mA (No-load)
	typ. 25 mA (Full load ( $R_L = 2 \text{ k}\Omega$ ))
	max. 35 mA (Full load ( $R_L = 2 \text{ k}\Omega$ ))

#### Analog outputs

Number of outputs	2
Connection technology	2-wire
Output name	Analog outputs
Data formats	IL, IB ST
Representation of output values	13 bits (12 bits + sign)
Process data update	< 1 ms

## Inline ME terminal - IB IL AO 2/U/BP-ME - 2863957

### Technical data

#### Analog outputs

Voltage output signal	0 V ... 10 V
	-10 V ... 10 V
Load/output load voltage output	> 2 k $\Omega$ 0.02 %
Precision	typ. 0.02 % (of output range final value)

#### Electrical isolation

Test section	7.5 V supply (bus logic), 24 V supply U <sub>ANA</sub> / I/O 500 V AC 50 Hz 1 min.
	7.5 V supply (bus logic), 24 V supply U <sub>ANA</sub> /functional earth ground 500 V AC 50 Hz 1 min.
	24 V supply (I/O) / functional earth ground 500 V AC 50 Hz 1 min.

#### Standards and Regulations

Connection in acc. with standard	CUL
Protection class	III, IEC 61140, EN 61140, VDE 0140-1

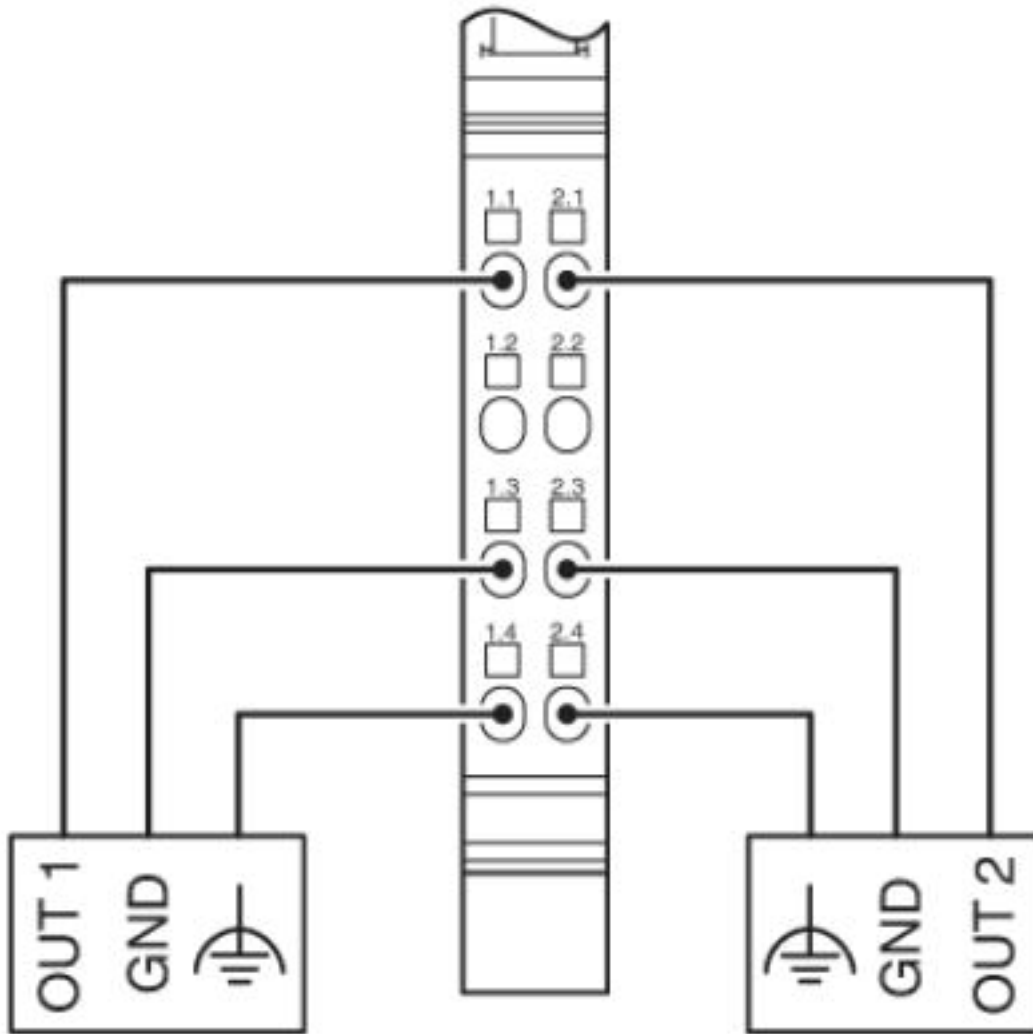
#### Environmental Product Compliance

China RoHS	Environmentally friendly use period: unlimited = EFUP-e
	No hazardous substances above threshold values

### Drawings

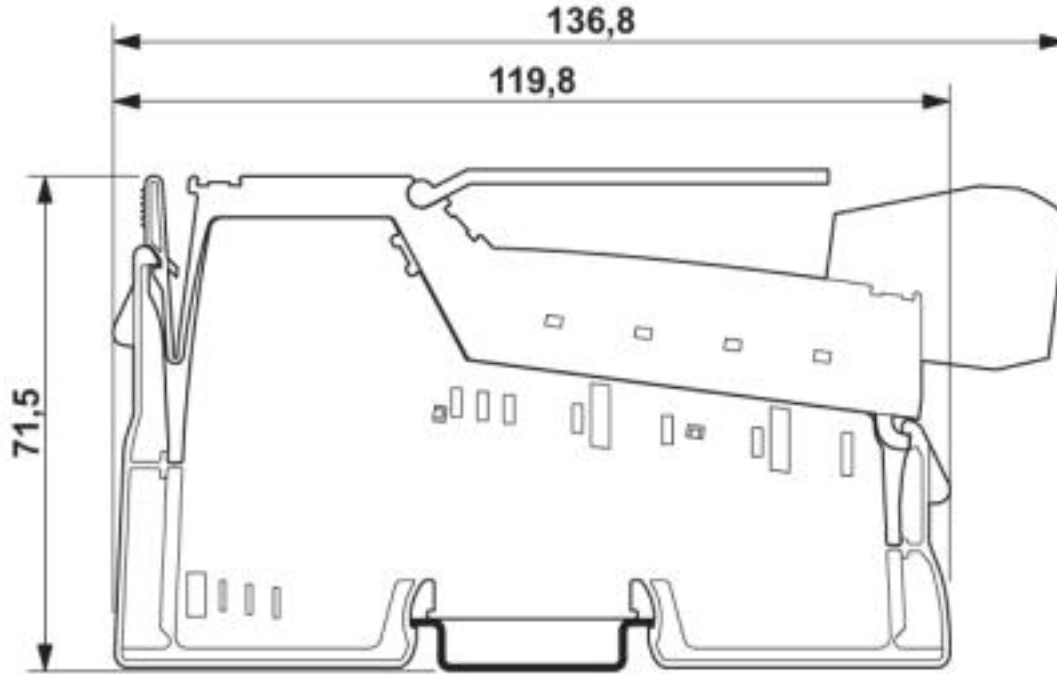
# Inline ME terminal - IB IL AO 2/U/BP-ME - 2863957

Connection diagram



## Inline ME terminal - IB IL AO 2/U/BP-ME - 2863957

Dimensional drawing



### Classifications

#### eCl@ss

eCl@ss 4.0	27250300
eCl@ss 4.1	27250300
eCl@ss 5.0	27250300
eCl@ss 5.1	27242600
eCl@ss 6.0	27242600
eCl@ss 7.0	27242601
eCl@ss 8.0	27242601
eCl@ss 9.0	27242601

#### ETIM

ETIM 2.0	EC001431
ETIM 3.0	EC001596
ETIM 4.0	EC001596
ETIM 5.0	EC001596
ETIM 6.0	EC001596
ETIM 7.0	EC001596

# Inline ME terminal - IB IL AO 2/U/BP-ME - 2863957

## Classifications

### UNSPSC

UNSPSC 6.01	43172015
UNSPSC 7.0901	43201404
UNSPSC 11	43172015
UNSPSC 12.01	43201404
UNSPSC 13.2	32151602

## Approvals

### Approvals

#### Approvals

UL Recognized / cUL Recognized / EAC / cULus Recognized

#### Ex Approvals

UL Listed / cUL Listed / cULus Listed

### Approval details

UL Recognized		<a href="http://database.ul.com/cgi-bin/XYV/template/LISEXT/1FRAME/index.htm">http://database.ul.com/cgi-bin/XYV/template/LISEXT/1FRAME/index.htm</a>	FILE E 140324
---------------	--	---	---------------

cUL Recognized		<a href="http://database.ul.com/cgi-bin/XYV/template/LISEXT/1FRAME/index.htm">http://database.ul.com/cgi-bin/XYV/template/LISEXT/1FRAME/index.htm</a>	FILE E 140324
----------------	--	---	---------------

EAC		EAC-Zulassung
-----	--	---------------

cULus Recognized	
------------------	--

## Accessories

### Accessories

## Inline ME terminal - IB IL AO 2/U/BP-ME - 2863957

### Accessories

#### Labeling panel

Labeling field - IB IL FIELD 2 - 2727501

Labeling field, width: 12.2 mm



#### Terminal marking

Insert strip - ESL 62X10 - 0809492

Insert strip, Sheet, white, unlabeled, can be labeled with: Office printing systems: Laser printer, mounting type: insert, lettering field size: 62 x 10 mm, Number of individual labels: 72

