

## Charging controller - EM-CP-PP-ETH - 2902802

Please be informed that the data shown in this PDF Document is generated from our Online Catalog. Please find the complete data in the user's documentation. Our General Terms of Use for Downloads are valid (<http://phoenixcontact.com/download>)



EV charge control is used to charge electrical vehicles on the 3-phase AC mains power supply according to IEC 61851-1 Mode 3. All necessary control functions are integrated. Additional functions are available for various charging applications.



### Key Commercial Data

Packing unit	1 pc
Weight per Piece (excluding packing)	300.0 g
Custom tariff number	85371099
Country of origin	Germany

### Technical data

#### Dimensions

Width	71.6 mm
Height	61 mm
Depth	90 mm

#### Ambient conditions

Ambient temperature (operation)	-25 °C ... 60 °C
Ambient temperature (storage/transport)	-40 °C ... 85 °C

#### Input data

Nominal input voltage $U_N$	24 V
Input voltage range	-3 V ... 5 V (Off)
	15 V ... 30 V (On)
Nominal current $I_N$	8 mA (24 V)

#### Power supply

Supply voltage range	110 V AC ... 240 V AC (nominal voltage range)
	95 V AC ... 264 V AC

# Charging controller - EM-CP-PP-ETH - 2902802

## Technical data

### Power supply

Max. current consumption	40 mA
Frequency range	45 Hz ... 65 Hz

### General

Electromagnetic compatibility	Conformance with EMC Directive 2004/108/EC
Conformance	CE-compliant

### Connection data

Conductor cross section flexible min.	0.2 mm <sup>2</sup>
Conductor cross section flexible max.	2.5 mm <sup>2</sup>
Conductor cross section solid min.	0.2 mm <sup>2</sup>
Conductor cross section solid max.	4 mm <sup>2</sup>
Conductor cross section AWG min.	24
Conductor cross section AWG max.	12
Connection method	Screw connection

## Classifications

### eCl@ss

eCl@ss 4.0	27210902
eCl@ss 4.1	27371105
eCl@ss 5.0	27371801
eCl@ss 5.1	27371810
eCl@ss 6.0	27371810
eCl@ss 7.0	27371810
eCl@ss 8.0	27242604
eCl@ss 9.0	27144703

### ETIM

ETIM 3.0	EC001505
ETIM 4.0	EC001599
ETIM 5.0	EC001599

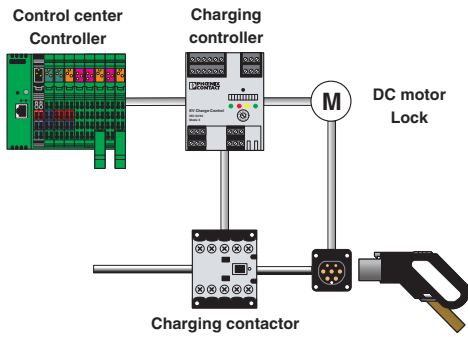
### UNSPSC

UNSPSC 6.01	30211916
UNSPSC 7.0901	39121535
UNSPSC 11	39121535
UNSPSC 12.01	39121535
UNSPSC 13.2	39121535

# Charging controller - EM-CP-PP-ETH - 2902802

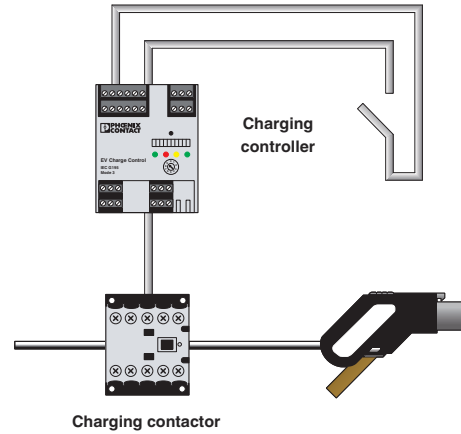
## Drawings

Application drawing



EV Charge Control interacting with a central controller

Application drawing



Simple charging point with permanently connected cable