

Interface module - VIP-3/PT/FLK26/LED - 2904252


Please be informed that the data shown in this PDF Document is generated from our Online Catalog. Please find the complete data in the user's documentation. Our General Terms of Use for Downloads are valid (<http://phoenixcontact.com/download>)



VARIOFACE module, with push-in connection and flat-ribbon cable connector, for mounting on NS 35 rails, with pin strip and short and long locking latches for socket strips, 26-pos., with LED



Key Commercial Data

Packing unit	1 pc
GTIN	 4 046356 813631
GTIN	4046356813631
Weight per Piece (excluding packing)	156.200 g
Custom tariff number	85366990
Country of origin	United States

Technical data

Dimensions

Width	57.1 mm
Height	75.8 mm
Depth	63 mm

Ambient conditions

Ambient temperature (operation)	-20 °C ... 50 °C
Ambient temperature (storage/transport)	-20 °C ... 70 °C

General

Nominal voltage U_N	24 V DC
Max. perm. current (per branch)	1 A
Number of positions	26

Interface module - VIP-3/PT/FLK26/LED - 2904252

Technical data

General

Status display	LED
Mounting position	any

Connection data

Connection name	Field level
Connection method	Push-in connection
Stripping length	8 mm
Conductor cross section solid	0.14 mm ² ... 2.5 mm ²
Conductor cross section flexible	0.14 mm ² ... 2.5 mm ²
Conductor cross section AWG	26 ... 14

Connection data 2

Connection name	Controller level
Connection method	IDC/FLK pin strip
Number of connections	1
Number of positions	26
Pitch	2.54 mm

Standards and Regulations

Connection in acc. with standard	CSA
Standards/regulations	IEC 60664
	DIN EN 50178
Pollution degree	2
Overvoltage category	II
Flammability rating according to UL 94	V0

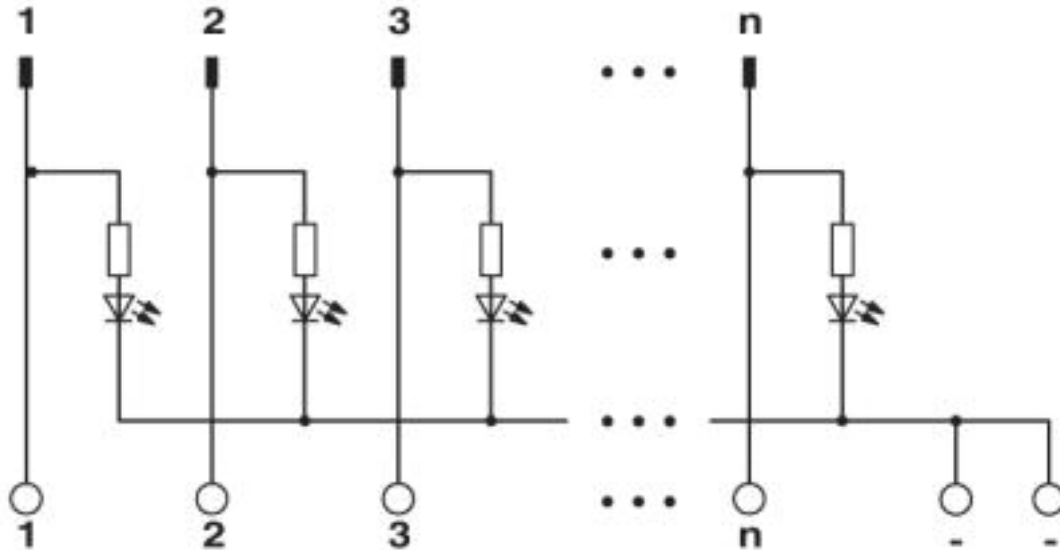
Environmental Product Compliance

China RoHS	Environmentally Friendly Use Period = 50
	For details about hazardous substances go to tab "Downloads", Category "Manufacturer's declaration"

Drawings

Interface module - VIP-3/PT/FLK26/LED - 2904252

Circuit diagram



Classifications

eCl@ss

eCl@ss 4.0	27250300
eCl@ss 4.1	27250300
eCl@ss 5.0	27250300
eCl@ss 5.1	27250300
eCl@ss 6.0	27242600
eCl@ss 7.0	27141152
eCl@ss 8.0	27141152
eCl@ss 9.0	27141152

ETIM

ETIM 4.0	EC002780
ETIM 5.0	EC002780
ETIM 6.0	EC002780
ETIM 7.0	EC002780

UNSPSC

UNSPSC 6.01	30211824
UNSPSC 7.0901	39121421
UNSPSC 11	39121421
UNSPSC 12.01	39121421
UNSPSC 13.2	39121432

Interface module - VIP-3/PT/FLK26/LED - 2904252

Approvals


Approvals


Approvals


CSA / UL Recognized / cUL Recognized / EAC / cULus Recognized


Ex Approvals

Approval details

CSA		http://www.csagroup.org/services-industries/product-listing/	2122203
Nominal voltage UN		24 V	
Nominal current IN		1 A	
mm ² /AWG/kcmil		26-14	

UL Recognized		http://database.ul.com/cgi-bin/XYV/template/LISEXT/1FRAME/index.htm	FILE E 238705
Nominal voltage UN		24 V	
Nominal current IN		1 A	
mm ² /AWG/kcmil		26-14	

cUL Recognized		http://database.ul.com/cgi-bin/XYV/template/LISEXT/1FRAME/index.htm	FILE E 238705
Nominal voltage UN		24 V	
Nominal current IN		1 A	
mm ² /AWG/kcmil		26-14	

EAC		RU C- DE.A*30.B.01742
-----	---	--------------------------

Interface module - VIP-3/PT/FLK26/LED - 2904252

Approvals

cULus Recognized



Accessories

Accessories

System cable

Cable - FLK 26/EZ-DR/ 50/KONFEK - 2299385



Round cable set; connection 1: IDC/FLK socket strip (1x 26-position); connection 2: IDC/FLK socket strip (1x 26-position); cable length: 0.5 m

Cable - FLK 26/EZ-DR/ 100/KONFEK - 2299398



Round cable set; connection 1: IDC/FLK socket strip (1x 26-position); connection 2: IDC/FLK socket strip (1x 26-position); cable length: 1 m

Cable - FLK 26/EZ-DR/ 150/KONFEK - 2299408



Round cable set; connection 1: IDC/FLK socket strip (1x 26-position); connection 2: IDC/FLK socket strip (1x 26-position); cable length: 1.5 m

Cable - FLK 26/EZ-DR/ 300/KONFEK - 2299424



Round cable set; connection 1: IDC/FLK socket strip (1x 26-position); connection 2: IDC/FLK socket strip (1x 26-position); cable length: 3 m

Interface module - VIP-3/PT/FLK26/LED - 2904252

Accessories

Cable - FLK 26/EZ-DR/ 400/KONFEK - 2299437



Round cable set; connection 1: IDC/FLK socket strip (1x 26-position); connection 2: IDC/FLK socket strip (1x 26-position); cable length: 4 m

Cable - FLK 26/EZ-DR/ 600/KONFEK - 2299440



Round cable set; connection 1: IDC/FLK socket strip (1x 26-position); connection 2: IDC/FLK socket strip (1x 26-position); cable length: 6 m

Cable - FLK 26/EZ-DR/ 800/KONFEK - 2299453



Round cable set; connection 1: IDC/FLK socket strip (1x 26-position); connection 2: IDC/FLK socket strip (1x 26-position); cable length: 8 m

Cable - FLK 26/EZ-DR/1000/KONFEK - 2299466



Round cable set; connection 1: IDC/FLK socket strip (1x 26-position); connection 2: IDC/FLK socket strip (1x 26-position); cable length: 10 m

Cable - FLK EZ-DR.../.../... - 2295059



Round cable, with preassembly, not shielded, variable cable length

