

Type 3 surge protection device - PLT-SEC-T3-24-FM - 2905223

Please be informed that the data shown in this PDF Document is generated from our Online Catalog. Please find the complete data in the user's documentation. Our General Terms of Use for Downloads are valid (<http://phoenixcontact.com/download>)




Pluggable device protection, according to type 3/class III, for 1-phase power supply networks with separate N and PE (3-conductor system: L1, N, PE), with integrated surge-proof fuse and remote indication contact. Also suitable for DC applications.

Your advantages

- ✓ Varistor-based device protection
- ✓ Can be used without separate backup fuse thanks to integrated overcurrent protection
- ✓ For 1-phase power supply units (AC/DC)
- ✓ Pluggable
- ✓ Optical status indicator via LED
- ✓ With floating remote indication contact
- ✓ Plugs can be checked with CHECKMASTER 2



Key Commercial Data

Packing unit	1 pc
GTIN	 4 046356 939676
GTIN	4046356939676
Weight per Piece (excluding packing)	100.000 g
Custom tariff number	85363030
Country of origin	Germany

Technical data

Dimensions

Height	90 mm
Width	17.7 mm

Type 3 surge protection device - PLT-SEC-T3-24-FM - 2905223

Technical data

Dimensions

Depth	74.5 mm (incl. DIN rail 7.5 mm)
Horizontal pitch	1 Div.

Ambient conditions

Degree of protection	IP20
Ambient temperature (operation)	-40 °C ... 80 °C
Ambient temperature (storage/transport)	-40 °C ... 80 °C
Altitude	≤ 2000 m (amsl (above mean sea level))
Permissible humidity (operation)	5 % ... 95 %
Shock (operation)	30g (Half-sine / 11 ms / 3x ±X, ±Y, ±Z)
Vibration (operation)	5g (10 ... 150 Hz/20 cycles/axis/X, Y, Z)

General

EN type	T3
Number of ports	One
Mode of protection	L-N
	L-PE
	N-PE
	(L+) - (L-)
	(L+/L-) - PE
Mounting type	DIN rail: 35 mm
Color	light grey RAL 7035
	traffic grey A RAL 7042
Housing material	PA 6.6-FR 20 % GF
	PA 6.6-FR
Degree of pollution	2
Flammability rating according to UL 94	V-0
Type	DIN rail module, two-section, divisible
Number of positions	2
Surge protection fault message	Optical, remote indicator contact

Protective circuit

Nominal voltage U_N	24 V AC (TN-S)
Nominal frequency f_N	50 Hz (60 Hz)
Maximum continuous voltage U_C	34 V AC
	34 V DC
Rated load current I_L	26 A (30 °C)
Residual current I_{PE}	≤ 5 μA
Nominal discharge current I_n (8/20) μs	1 kA

Type 3 surge protection device - PLT-SEC-T3-24-FM - 2905223

Technical data

Protective circuit

Standby power consumption P_C	≤ 30 mVA (at U_{REF})
	≤ 50 mVA (at U_C)
Reference test voltage U_{REF}	27 V AC
Combination wave U_{OC}	2 kV
Voltage protection level U_p (L-N)	≤ 0.25 kV
Voltage protection level U_p (L-PE)	≤ 0.65 kV
Voltage protection level U_p (N-PE)	≤ 0.65 kV
TOV behavior at U_T (L-N)	50 V AC (5 s / withstand mode)
	50 V AC (120 min / withstand mode)
TOV behavior at U_T (L-PE)	50 V AC (5 s / withstand mode)
	50 V AC (120 min / withstand mode)
Response time t_A (L-N)	≤ 25 ns
Response time t_A (L-PE)	≤ 100 ns
Response time t_A (N-PE)	≤ 100 ns
Short-circuit current rating I_{SCCR}	1.5 kA AC
	1 kA DC
Max. backup fuse with branch wiring	not required
Maximum backup fuse for through wiring	25 A (gG / B / C)

Indicator/remote signaling

Switching function	N/C contact
Operating voltage	250 V AC
	125 V DC (200 mA DC)
Operating current	3 A AC
	1 A DC (30 V DC)
Connection method	Screw connection
Conductor cross section flexible	0.2 mm ² ... 2.5 mm ²
Conductor cross section solid	0.2 mm ² ... 4 mm ²
Conductor cross section AWG	24 ... 12
Screw thread	M3
Tightening torque	0.8 Nm
Stripping length	8 mm

Connection data

Connection method	Screw connection
Conductor cross section flexible	0.2 mm ² ... 2.5 mm ²
Conductor cross section solid	0.2 mm ² ... 4 mm ²
Conductor cross section AWG	24 ... 12

Type 3 surge protection device - PLT-SEC-T3-24-FM - 2905223

Technical data

Connection data

Screw thread	M3
Tightening torque	0.8 Nm
Stripping length	8 mm

UL specifications

SPD Type	4CA
Maximum continuous operating voltage MCOV	34 V AC
	34 V DC
Nominal voltage	24 V DC
Rated load current I_L	25 A
Mode of protection	L-N
	L-G
	N-G
	(L+) - (L-)
	(L+) - G
	(L-) - G
Power distribution system	Single phase
Nominal frequency	50/60 Hz
Measured limiting voltage MLV (L-N)	290 V
Measured limiting voltage MLV (L-G)	560 V
Measured limiting voltage MLV (N-G)	560 V
Measured limiting voltage MLV (L+) - (L-)	290 V
Measured limiting voltage MLV (L+) - G	560 V
Measured limiting voltage MLV (L-) - G	560 V
Nominal discharge current I_n	1 kA

UL indicator/remote signaling

Tightening torque	5 lb _f -in. ... 7 lb _f -in.
Conductor cross section AWG	14 ... 12

UL connection data

Conductor cross section AWG	14 ... 12
Tightening torque	5 lb _f -in. ... 7 lb _f -in.

Standards and Regulations

Standards/specifications	IEC 61643-11 2011
	EN 61643-11 2012

Environmental Product Compliance

	Lead 7439-92-1
--	----------------

Type 3 surge protection device - PLT-SEC-T3-24-FM - 2905223

Technical data

Environmental Product Compliance

China RoHS	Environmentally Friendly Use Period = 50
	For details about hazardous substances go to tab "Downloads", Category "Manufacturer's declaration"

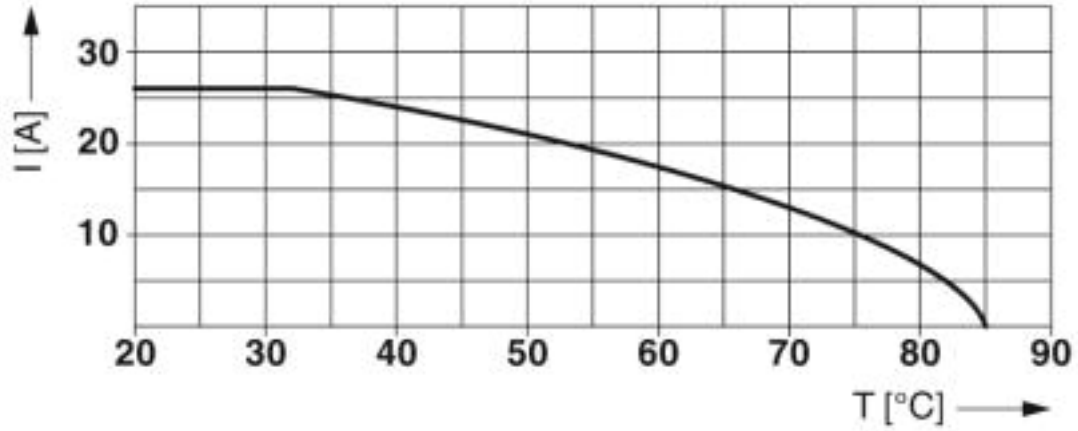
Drawings

Product drawing



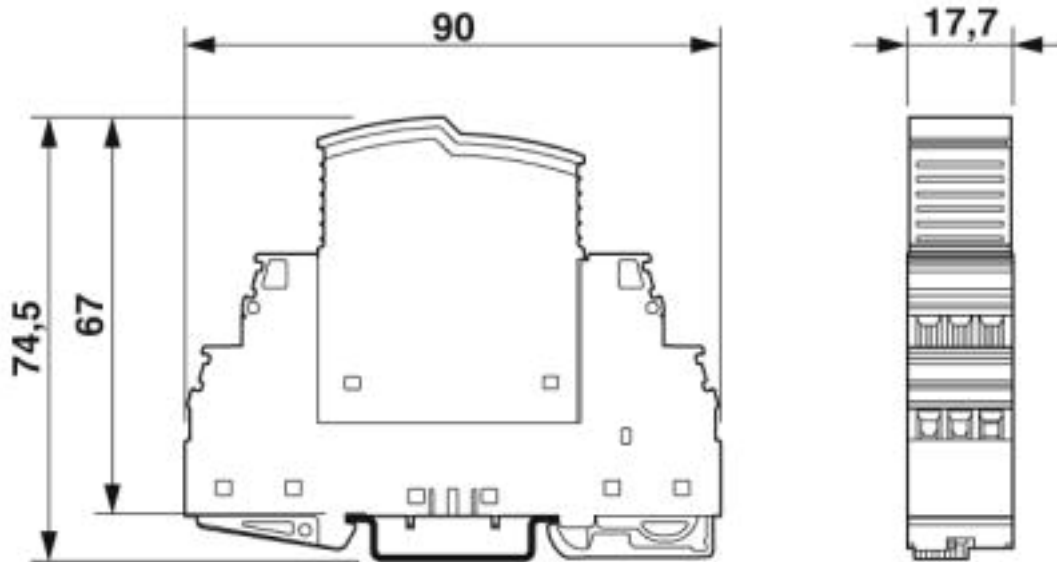
Type 3 surge protection device - PLT-SEC-T3-24-FM - 2905223

Diagram



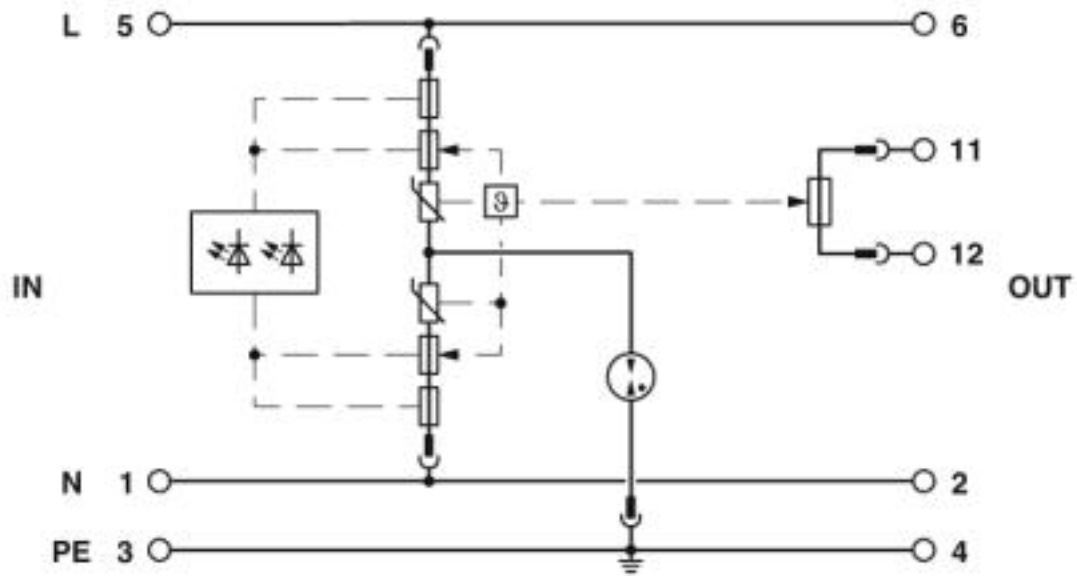
Nominal current depending on ambient temperature

Dimensional drawing



Type 3 surge protection device - PLT-SEC-T3-24-FM - 2905223

Circuit diagram



Classifications

eCl@ss

eCl@ss 4.0	27130800
eCl@ss 4.1	27130800
eCl@ss 5.0	27130800
eCl@ss 5.1	27130800
eCl@ss 6.0	27130800
eCl@ss 7.0	27130806
eCl@ss 8.0	27130806
eCl@ss 9.0	27130806

ETIM

ETIM 5.0	EC000942
ETIM 6.0	EC000942
ETIM 7.0	EC000942

UNSPSC

UNSPSC 13.2	39121620
-------------	----------

Approvals

Approvals

Type 3 surge protection device - PLT-SEC-T3-24-FM - 2905223

Approvals

Approvals

GL / CCA / KEMA-KEUR / IECEE CB Scheme / EAC / UL Recognized

Ex Approvals

cULus Recognized

Approval details

GL		https://approvalfinder.dnvgl.com/	14588-15 HH
CCA			NTR-NL 7399
KEMA-KEUR		http://www.dekra-certification.com	2173868.01
IECEE CB Scheme		http://www.iecee.org/	NL-35777
EAC			RU C- DE.A*30.B01561
UL Recognized		http://database.ul.com/cgi-bin/XYV/template/LISEXT/1FRAME/index.htm	FILE E 330181

Accessories

Accessories

Device marking

Type 3 surge protection device - PLT-SEC-T3-24-FM - 2905223

Accessories

Label - EML (20XE)R - 0803452



Label, Roll, white, unlabeled, can be labeled with: THERMOMARK ROLLMASTER 300/600, THERMOMARK X1.2, THERMOMARK ROLL X1, THERMOMARK ROLL 2.0, THERMOMARK ROLL, mounting type: adhesive, lettering field size: continuous x 20 mm

Label - EML (20XE)R YE - 0803453



Label, Roll, yellow, unlabeled, can be labeled with: THERMOMARK ROLLMASTER 300/600, THERMOMARK X1.2, THERMOMARK ROLL X1, THERMOMARK ROLL 2.0, THERMOMARK ROLL, mounting type: adhesive, lettering field size: continuous x 20 mm

End block

End clamp - CLIPFIX 35 - 3022218



Quick mounting end clamp for NS 35/7,5 DIN rail or NS 35/15 DIN rail, with marking option, width: 9.5 mm, color: gray

Marker pen

Marker pen - X-PEN 0,35 - 0811228



Marker pen without ink cartridge, for manual labeling of markers, labeling extremely wipe-proof, line thickness 0.35 mm

Spare parts

Type 3 surge protection device - PLT-SEC-T3-24-FM - 2905223

Accessories

Type 3 surge protection plug - PLT-SEC-T3-24-P - 2905232



Replacement plug for type 3 device protection from the PLUGTRAB SEC T3 product range. 24 V nominal voltage.