

Type 2 surge protection base element - VAL-MS TE-AR/75X350/3EQ/ FM - 2905684

Please be informed that the data shown in this PDF Document is generated from our Online Catalog. Please find the complete data in the user's documentation. Our General Terms of Use for Downloads are valid (<http://phoenixcontact.com/download>)


Equalizer surge protective device assembly, 3-mode, type 2 arresters for 2-wire signals up to 75 V with field disconnect terminals and form-C field monitor contact



Your advantages

- With floating remote indication contact
- 3-Mode equalizer protection
- Field wire disconnect

Key Commercial Data

Packing unit	1 pc
GTIN	 4 055626 025889
GTIN	4055626025889
Weight per Piece (excluding packing)	550.000 g
Country of origin	Germany

Technical data

Note

Trade restriction	The products are offered exclusively for export outside the EU and the European Economic Area.
-------------------	--

Dimensions

Height	193 mm
Width	54 mm
Depth	78 mm

Type 2 surge protection base element - VAL-MS TE-AR/75X350/3EQ/ FM - 2905684

Technical data

Dimensions

Horizontal pitch	3 Div.
------------------	--------

Ambient conditions

Degree of protection	IP20
	IP20 (Only when all disconnects are closed)
Ambient temperature (operation)	-40 °C ... 80 °C

General

Housing material	PBT/PA
Flammability rating according to UL 94	V0
Color	black
Standards for clearances and creepage distances	EN 60664-1
	EN 61643-1
Mounting type	DIN rail mounting with additional retaining screw
Type	DIN rail module, two-section, divisible and terminal block with disconnect and test point
Number of positions	3
Surge protection fault message	Optical, remote indicator contact
Direction of action	(L+)-PE & (L-)-PE & (L+)-(L-)
	(L+)-PE & (L-)-PE & (L+)-(L-)

Protective circuit

IEC test classification	II
	T2
Nominal voltage U_N	5 V AC ... 48 V AC
Maximum continuous operating voltage U_C	60 V
	60 V
Maximum continuous operating voltage U_C (L-PE)	230 V
	230 V
Rated load current I_L	80 A (Serial through wiring at 16 mm ²)
Residual current I_{PE}	≤ 5 μA
Max. discharge current I_{max} (8/20) μs maximum (L-PE)	20 kA
Nominal discharge current I_n (8/20) μs (L-PE)	10 kA
Voltage protection level U_p (L-PE)	≤ 1.5 kV
Response time t_A	≤ 25 ns
Max. backup fuse with branch wiring	200 A (gL / gG)
Max. backup fuse with V-type through wiring	80 A (gL / gG)

Type 2 surge protection base element - VAL-MS TE-AR/75X350/3EQ/ FM - 2905684

Technical data

Protective circuit

Short-circuit withstand capability I_p with max. backup fuse (r.m.s.)	25 kA
	25 kA
Short-circuit current rating I_{SCCR}	10 kA (L-L)

Connection, protective circuit

Connection name	House (L0)
Connection method	Screw terminal block
Connection method IN	Screw terminal blocks
Connection method OUT	Screw terminal blocks
Tightening torque	3 Nm ... 4.5 Nm (Ground)
	1.5 Nm ... 1.8 Nm (House)
	2.5 Nm ... 3 Nm (Field)
Conductor cross section AWG	15 ... 2 (16 mm strip length)
	20 ... 6 (10 mm strip length)
	12 ... 4 (14 mm strip length)

Remote indication contact

Connection name	Remote fault indicator contact
Switching function	PDT, 1-pos.
Connection method	MC 1,5/3
Screw thread	M2
Tightening torque	0.25 Nm
	2 lb _f -in. ... 4 lb _f -in. (UL)
Stripping length	7 mm
Conductor cross section flexible min.	0.14 mm ²
Conductor cross section flexible max.	1.5 mm ²
Conductor cross section solid min.	0.14 mm ²
Conductor cross section solid max.	1.5 mm ²
Conductor cross section AWG min.	28
Conductor cross section AWG max.	16
Maximum operating voltage U_{max} AC	250 V AC
Maximum operating voltage U_{max} DC	30 V DC
Max. operating current I_{max}	1.5 A AC (250 V AC)
	1.5 A DC (125 V AC)
	1.5 A DC (30 V DC)

Environmental Product Compliance

Type 2 surge protection base element - VAL-MS TE-AR/75X350/3EQ/ FM - 2905684

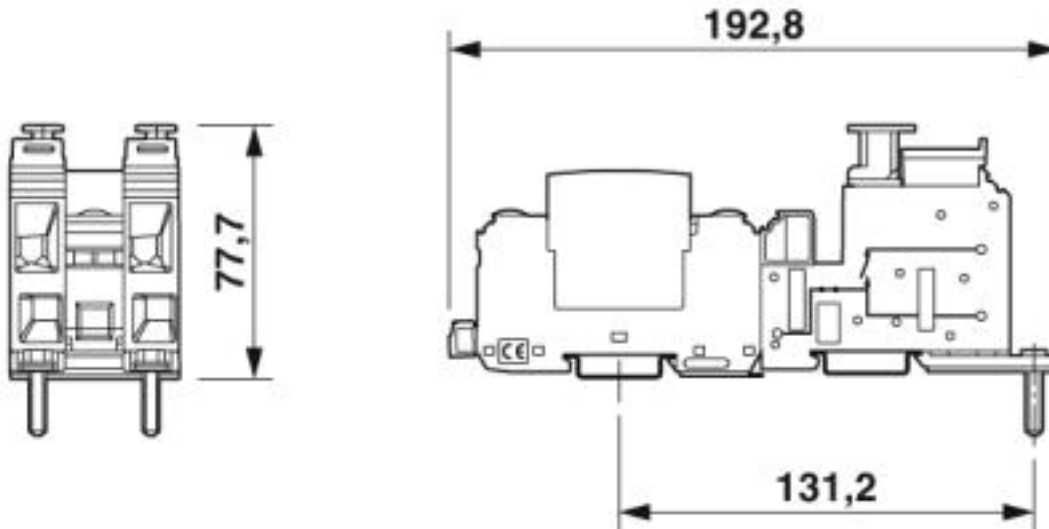
Technical data

Environmental Product Compliance

REACH SVHC	Lead 7439-92-1
China RoHS	Environmentally Friendly Use Period = 50 years
	For details about hazardous substances go to tab "Downloads", Category "Manufacturer's declaration"

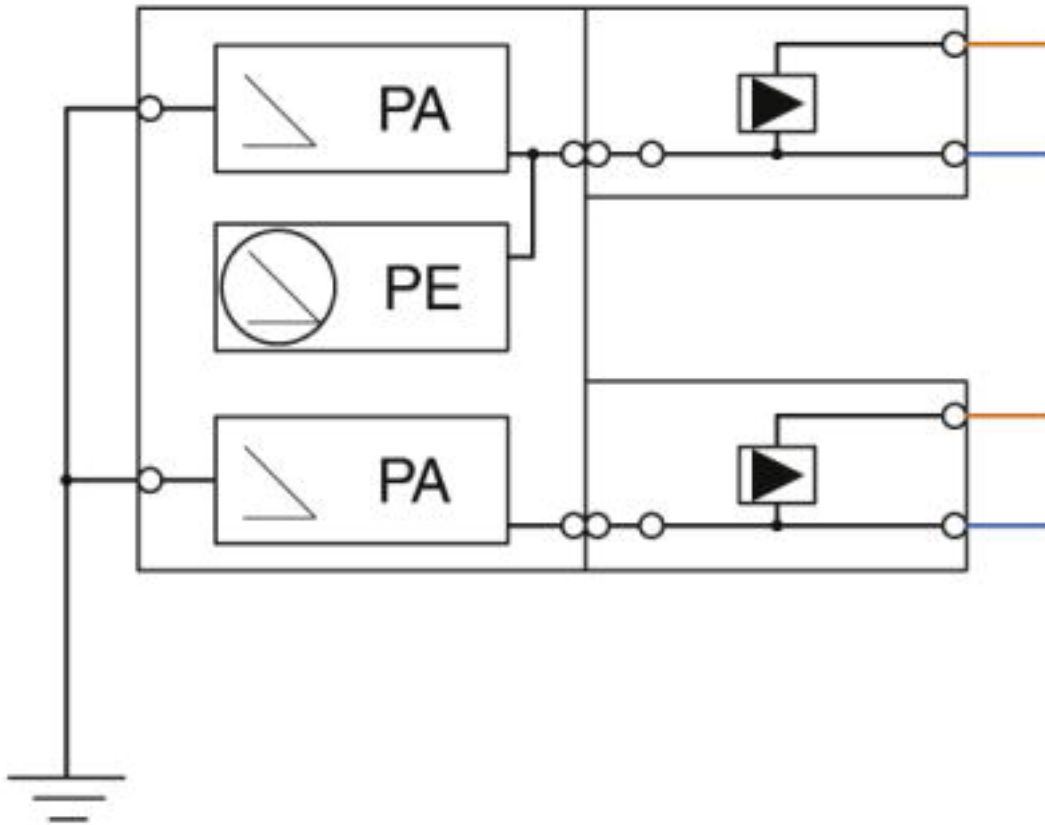
Drawings

Dimensional drawing



Type 2 surge protection base element - VAL-MS TE-AR/75X350/3EQ/ FM - 2905684

Circuit diagram



House wires shown as blue. Field wires shown as orange.

Classifications

eCl@ss

eCl@ss 5.1	27130800
eCl@ss 6.0	27130800
eCl@ss 7.0	27130802
eCl@ss 8.0	27130802
eCl@ss 9.0	27130802

ETIM

ETIM 4.0	EC002497
ETIM 5.0	EC000381
ETIM 6.0	EC000381

Type 2 surge protection base element - VAL-MS TE-AR/75X350/3EQ/ FM - 2905684

Classifications

ETIM

ETIM 7.0	EC000381
----------	----------

UNSPSC

UNSPSC 13.2	39121620
UNSPSC 18.0	39121620
UNSPSC 19.0	39121620
UNSPSC 20.0	39121620
UNSPSC 21.0	39121620

Accessories

Accessories

Bridge

Plug-in bridge - FBS 2-18 - 2801068



Plug-in bridge for cross-connections in the VAL-MS BE-AR terminal center, 2-pos., color: Red

Wiring bridge - MPB 18/1-57 - 2809238



Wiring bridge for modules with connecting pitch 17.5 mm, 1-phase, 57-pos.

Plug-in bridge - FBS 2-18 - 2801068



Plug-in bridge for cross-connections in the VAL-MS BE-AR terminal center, 2-pos., color: Red

Insertion bridge

Type 2 surge protection base element - VAL-MS TE-AR/75X350/3EQ/ FM - 2905684

Accessories

Insertion bridge - EB 56-18 - 3009299



Insertion bridge, pitch: 18 mm, number of positions: 56, color: gray

Screwdriver tools

Screwdriver - SZS 0,8X4,0 VDE - 1212508



Screwdriver, slot-headed, VDE insulated, size: 0.8 x 4.0 x 100 mm, 2-component grip, with non-slip grip

Screwdriver - SZS 0,4X2,5 VDE - 1205037



Screwdriver, slot-headed, VDE insulated, size: 0.4 x 2.5 x 80 mm, 2-component grip, with non-slip grip

Screw insert - SF-BIT-SL 1,2X6,5-70 - 1212577



Screw bit, bladed, E6.3-1/4" drive, size: 1.2 x 6.5 x 70 mm, hardened, suitable for holder according to DIN 3126-F6.3/ISO 1173

Screw insert - SF-BIT-SL 1,0X4,0-70 - 1212754



Screw bit, slotted, E6.3-1/4" drive, size: 1 mm x 4 mm x 70 mm, hardened, suitable for holder according to DIN 3126-F6.3/ISO 1173

Type 2 surge protection base element - VAL-MS TE-AR/75X350/3EQ/ FM - 2905684

Accessories

Torque tool

Torque screwdriver - TSD-M 6NM - 1212226



Torque screw driver, accuracy as per EN ISO 6789 standard, adjustable from 3 - 6 Nm

Torque screwdriver - TSD-M 3NM - 1212225



Torque screw driver, accuracy as per EN ISO 6789 standard, adjustable from 1.2 - 3 Nm

Spare parts

Type 2 surge protection plug - VAL-MS 75 VF ST - 2805318



Surge protection plug type 2 with series connection consisting of varistor and gas-filled spark gap for VAL-MS base element, thermal monitoring, visual fault warning.

Type 2 surge protection plug - VAL-MS 350 VF ST - 2856595



Surge protection connector type 2 with series connection consisting of varistor and gas-filled spark gap for VAL-MS base element, thermal monitoring, visual fault warning. Design: 350 V AC
