

## Passive module - UM-FLK10/PI/FU/ROC800 - 2905962

Please be informed that the data shown in this PDF Document is generated from our Online Catalog. Please find the complete data in the user's documentation. Our General Terms of Use for Downloads are valid (<http://phoenixcontact.com/download>)




Varioface module intended for use with the ROC800 controller PI cards

### Why buy this product

- Three-level screw terminals for field wiring
- UM-PRO housing
- Per channel pluggable fusing, TE5 style, 200 mA
- Per channel blown fuse indication
- FLK10 connection on the control side
- Tested for continuity
- Per channel configurability for high or low inputs



### Key Commercial Data

Packing unit	1 STK
GTIN	 4 055626 047485
GTIN	4055626047485
Weight per Piece (excluding packing)	150.000 g
Custom tariff number	85369010
Country of origin	United States

### Technical data

#### Dimensions

Width	54 mm
Height	92.3 mm
Depth	78.9 mm

## Passive module - UM-FLK10/PI/FU/ROC800 - 2905962

### Technical data

#### Ambient conditions

Ambient temperature (operation)	-40 °C ... 60 °C
Ambient temperature (storage/transport)	-40 °C ... 60 °C

#### General

Max. perm. operating voltage	24 V DC
Max. perm. current (per branch)	200 mA (in as-supplied state, with one 200 mAF fuse, max. 1 A permitted)
Number of positions	12
Mounting position	any

#### Connection data for connection 1

Connection name	Field level
Connection in acc. with standard	IEC / EN
Connection method	Screw connection
Stripping length	7 mm
Screw thread	M3
Conductor cross section solid	0.2 mm <sup>2</sup> ... 4 mm <sup>2</sup>
Conductor cross section flexible	0.2 mm <sup>2</sup> ... 2.5 mm <sup>2</sup>
Conductor cross section AWG	24 ... 12
Number of positions	6

#### Connection data for connection 2

Connection name	Controller level
Connection method	IDC/FLK pin strip
Number of connections	1
Number of positions	10
Pitch	2.54 mm

#### Supported controller

Controller	Emerson ROC800
- suitable I/O card	ROC800 PI

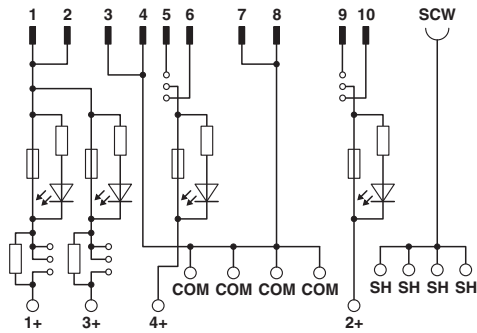
#### Environmental Product Compliance

China RoHS	Environmentally Friendly Use Period = 50
	For details about hazardous substances go to tab "Downloads", Category "Manufacturer's declaration"

### Drawings

# Passive module - UM-FLK10/PI/FU/ROC800 - 2905962

Circuit diagram



## Classifications

### eCl@ss

eCl@ss 4.0	27250313
eCl@ss 4.1	27250313
eCl@ss 5.0	27250313
eCl@ss 5.1	27250313
eCl@ss 7.0	27141152
eCl@ss 8.0	27141152
eCl@ss 9.0	27141152

### ETIM

ETIM 4.0	EC002780
ETIM 5.0	EC002780
ETIM 6.0	EC002780

### UNSPSC

UNSPSC 13.2	39121432
-------------	----------

## Approvals

### Approvals

#### Approvals

UL Recognized / cUL Recognized / cULus Recognized

#### Ex Approvals

# Passive module - UM-FLK10/PI/FU/ROC800 - 2905962

## Approvals

### Approval details

UL Recognized		<a href="http://database.ul.com/cgi-bin/XYV/template/LISEXT/1FRAME/index.htm">http://database.ul.com/cgi-bin/XYV/template/LISEXT/1FRAME/index.htm</a>	FILE E 238705
mm <sup>2</sup> /AWG/kcmil		30-12	
Nominal current IN		0.2 A	

cUL Recognized		<a href="http://database.ul.com/cgi-bin/XYV/template/LISEXT/1FRAME/index.htm">http://database.ul.com/cgi-bin/XYV/template/LISEXT/1FRAME/index.htm</a>	FILE E 238705
mm <sup>2</sup> /AWG/kcmil		30-12	
Nominal current IN		0.2 A	

cULus Recognized		<a href="http://database.ul.com/cgi-bin/XYV/template/LISEXT/1FRAME/index.htm">http://database.ul.com/cgi-bin/XYV/template/LISEXT/1FRAME/index.htm</a>
------------------	--	---

## Accessories

### Accessories

#### System cable

Cable - VIP-CAB-FLK10/0,14/0,5M - 2318305



Round cable set with 1 x IDC/FLK socket strip (10-position, 180 °-Out put) on 1 x IDC/FLK socket strip (10-position, 90 °-Out put), Cable length: 0.5 m

Cable - VIP-CAB-FLK10/0,14/1,0M - 2318318



Round cable set with 1 x IDC/FLK socket strip (10-position, 180 °-Out put) on 1 x IDC/FLK socket strip (10-position, 90 °-Out put), Cable length: 1 m

## Passive module - UM-FLK10/PI/FU/ROC800 - 2905962

### Accessories

Cable - VIP-CAB-FLK10/0,14/1,5M - 2318321



Round cable set with 1 x IDC/FLK socket strip (10-position, 180 °-Out put) on 1 x IDC/FLK socket strip (10-position, 90 °-Out put), Cable length: 1.5 m

Cable - VIP-CAB-FLK10/0,14/2,0M - 2318334



Round cable set with 1 x IDC/FLK socket strip (10-position, 180 °-Out put) on 1 x IDC/FLK socket strip (10-position, 90 °-Out put), Cable length: 2 m

Cable - VIP-CAB-FLK10/0,14/3,0M - 2318347



Round cable set with 1 x IDC/FLK socket strip (10-position, 180 °-Out put) on 1 x IDC/FLK socket strip (10-position, 90 °-Out put), Cable length: 3 m

Cable - VIP-CAB-FLK10/0,14/4,0M - 2318350



Round cable set with 1 x IDC/FLK socket strip (10-position, 180 °-Out put) on 1 x IDC/FLK socket strip (10-position, 90 °-Out put), Cable length: 4 m

Cable - VIP-CAB-FLK10/0,14/6,0M - 2318363



Round cable set with 1 x IDC/FLK socket strip (10-position, 180 °-Out put) on 1 x IDC/FLK socket strip (10-position, 90 °-Out put), Cable length: 6 m

### Necessary add-on products

## Passive module - UM-FLK10/PI/FU/ROC800 - 2905962

### Accessories

Front adapters - FLKM 10-PA-ROC800 - 2904889



VARIOFACE front adapters for ROC800 controller

---

### Spare parts

Fuse set - FUSE/TE5/200MA/F-10PCS - 2906091



Plug-in fuse (TE5<sup>®</sup>); Nominal current: 200 mA; Tripping behavior: Fast-blow (F)

---