

## Active module - UM-D37M/16RSC-24DC/DO/C3/L IMC - 2906193

Please be informed that the data shown in this PDF Document is generated from our Online Catalog. Please find the complete data in the user's documentation. Our General Terms of Use for Downloads are valid (<http://phoenixcontact.com/download>)




VARIOFACE 16-channel module intended for use with Honeywell® Experion C300 24 V digital IOTA, left-hand version, 3 A, 120 V, conformal coating, inter-marshalling

### Why buy this product

- UM-PRO housing
- DIN rail mounting, includes grounding foot
- Designed to be mounted in the left side of the cabinet
- Per channel pluggable 3 A fusing
- LED blown fuse indication
- Conformally-coated PCB
- Per channel configuration for NO or NC contacts
- Per-channel selectable inter-marshalling or external-powered (via toggle switch)



### Key Commercial Data

Packing unit	1 STK
GTIN	 4 055626 078038
GTIN	4055626078038
Weight per Piece (excluding packing)	850.000 g
Custom tariff number	85369010
Country of origin	United States

### Technical data

#### Note

Utilization restriction	EMC: class A product, see manufacturer's declaration in the download area
-------------------------	---

# Active module - UM-D37M/16RSC-24DC/DO/C3/L IMC - 2906193

## Technical data

### Dimensions

Width	244 mm
Height	142.3 mm
Depth	66.8 mm

### Ambient conditions

Ambient temperature (operation)	-40 °C ... 70 °C
Ambient temperature (storage/transport)	-40 °C ... 75 °C

### Input data

Nominal input voltage $U_N$	24 V DC
Input voltage range in reference to $U_N$	0.8 ... 1.1
Typical input current at $U_N$	7 mA
Typical response time	5 ms
Typical release time	15 ms
Type of protection	Free-wheeling diode
Protective circuit/component	Damping diode

### Output data

Contact type	1 PDT
Contact material	AgSnO
Maximum switching voltage	120 V AC/DC
Minimum switching voltage	12 V
Limiting continuous current	3 A (fuse limited)
Min. switching current	10 mA
Interrupting rating (ohmic load) max.	72 W (24 V DC)
	20 W (48 V DC)
	18 W (60 V DC)
	23 W (110 V DC)
	360 VA (120 V AC)
Error detection (line break / short-circuit)	no

### General

No. of channels	16
With components	yes
Mechanical service life	$2 \times 10^7$ cycles
Operating mode	100% operating factor
Degree of protection	IP20

### Connection data for connection 1

Connection name	Controller level
-----------------	------------------

# Active module - UM-D37M/16RSC-24DC/DO/C3/L IMC - 2906193

## Technical data

### Connection data for connection 1

Connection method	D-SUB connector
Number of connections	1
Number of positions	37

### Connection data for connection 2

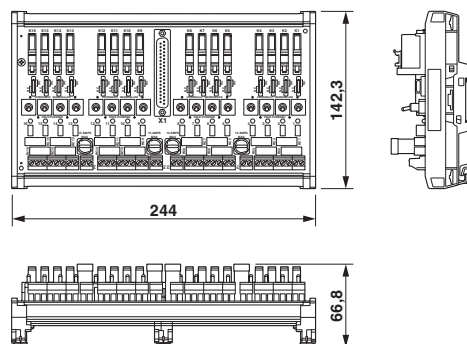
Connection name	Field level
Connection method	Screw connection
Stripping length	8 mm
Screw thread	M3
Conductor cross section solid	0.2 mm <sup>2</sup> ... 4 mm <sup>2</sup>
Conductor cross section flexible	0.2 mm <sup>2</sup> ... 2.5 mm <sup>2</sup>
Conductor cross section AWG	24 ... 12
Number of connections	32

### Supported controller

Corresponding control	HONEYWELL Experion PKS C300/C-Series
Corresponding I/O card	TDOB01
	TDOB11
	TDOB51
	TDOB61
	TDODA1
	TDODB1

## Drawings

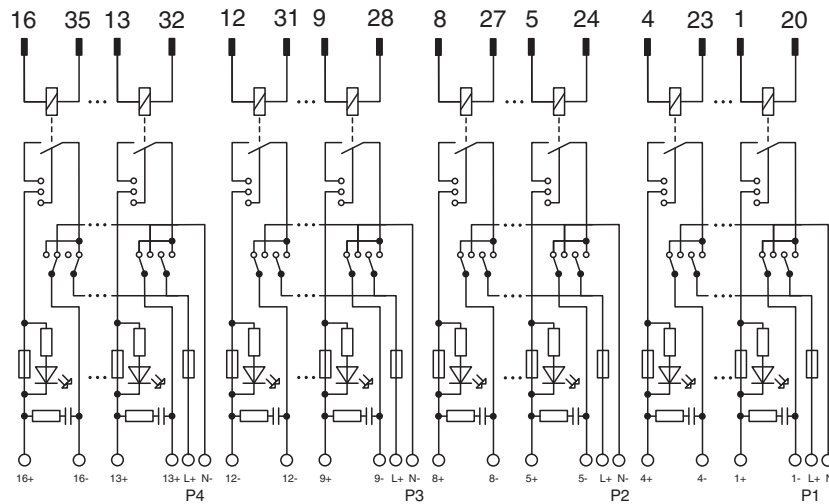
Dimensional drawing



Dimensional drawing of right-hand version

# Active module - UM-D37M/16RSC-24DC/DO/C3/L IMC - 2906193

Circuit diagram



Channel 16 shows switch in internal marshalling powered configuration.  
All other channels show switch in externally powered configuration.

## Classifications

eCl@ss

eCl@ss 4.0	27250313
eCl@ss 4.1	27250313
eCl@ss 5.0	27250313
eCl@ss 5.1	27250313
eCl@ss 7.0	27141152
eCl@ss 8.0	27141152
eCl@ss 9.0	27141152

ETIM

ETIM 4.0	EC002780
ETIM 5.0	EC002780
ETIM 6.0	EC002780

UNSPSC

UNSPSC 6.01	30211916
UNSPSC 7.0901	39121515

# Active module - UM-D37M/16RSC-24DC/DO/C3/L IMC - 2906193

## Classifications

### UNSPSC

UNSPSC 11	39121515
UNSPSC 12.01	39121515
UNSPSC 13.2	39122334

## Approvals

### Approvals

#### Approvals

UL Recognized / cUL Recognized / cULus Recognized

#### Ex Approvals

### Approval details

UL Recognized		<a href="http://database.ul.com/cgi-bin/XYV/template/LISEXT/1FRAME/index.htm">http://database.ul.com/cgi-bin/XYV/template/LISEXT/1FRAME/index.htm</a>	FILE E 238705
---------------	--	---	---------------

cUL Recognized		<a href="http://database.ul.com/cgi-bin/XYV/template/LISEXT/1FRAME/index.htm">http://database.ul.com/cgi-bin/XYV/template/LISEXT/1FRAME/index.htm</a>	FILE E 238705
----------------	--	---	---------------

cULus Recognized		<a href="http://database.ul.com/cgi-bin/XYV/template/LISEXT/1FRAME/index.htm">http://database.ul.com/cgi-bin/XYV/template/LISEXT/1FRAME/index.htm</a>	
------------------	--	---	--

## Accessories

### Accessories

#### System cable

Cable - CABLE-D37SUB/B/B/ 100/KONFEK/S - 2305509



Assembled shielded round cable with 1 x D-SUB socket strip (37-position) on 1 x D-SUB socket strip (37-position), Cable length: 1 m

## Active module - UM-D37M/16RSC-24DC/DO/C3/L IMC - 2906193

### Accessories

---

#### Cable - CABLE-D37SUB/B/B/ 200/KONFEK/S - 2305512



Assembled shielded round cable with 1 x D-SUB socket strip (37-position) on 1 x D-SUB socket strip (37-position), Cable length: 2 m

#### Cable - CABLE-D37SUB/B/B/ 300/KONFEK/S - 2305525



Assembled shielded round cable with 1 x D-SUB socket strip (37-position) on 1 x D-SUB socket strip (37-position), Cable length: 3 m

#### Cable - CABLE-D37SUB/B/B/ 400/KONFEK/S - 2900759



Assembled shielded round cable with 1 x D-SUB socket strip (37-position) on 1 x D-SUB socket strip (37-position), Cable length: 4 m

#### Cable - CABLE-D37SUB/B/B/ 600/KONFEK/S - 2900760



Assembled shielded round cable with 1 x D-SUB socket strip (37-position) on 1 x D-SUB socket strip (37-position), Cable length: 6 m

#### Cable - CABLE-D37SUB/B/B/ 800/KONFEK/S - 2900761



Assembled shielded round cable with 1 x D-SUB socket strip (37-position) on 1 x D-SUB socket strip (37-position), Cable length: 8 m

## Active module - UM-D37M/16RSC-24DC/DO/C3/L IMC - 2906193

### Accessories

Cable - CABLE-D37SUB/B/B/1000/KONFEK/S - 2900762



Assembled shielded round cable with 1 x D-SUB socket strip (37-position) on 1 x D-SUB socket strip (37-position), Cable length: 10 m

Cable - CABLE-D37SUB/B/B/1500/KONFEK/S - 2900763



Assembled shielded round cable with 1 x D-SUB socket strip (37-position) on 1 x D-SUB socket strip (37-position), Cable length: 15 m

Cable - CABLE-D37SUB/B/B/2000/KONFEK/S - 2900764



Assembled shielded round cable with 1 x D-SUB socket strip (37-position) on 1 x D-SUB socket strip (37-position), Cable length: 20 m

### Necessary add-on products

Front adapters - FLKM-PA-D37/HW/DIO/C300 - 2901423



VARIOFACE front adapter, for Honeywell C300, Series C I/O, maximum of 1 x 16 channels can be connected (37-pos. D-SUB connector). Specifically for connecting digital, redundant I/O cards.

### Spare parts

Single relay - REL-MR- 24DC/21 - 2961105



Plug-in miniature power relay, with power contact, 1 PDT, input voltage 24 V DC

## Active module - UM-D37M/16RSC-24DC/DO/C3/L IMC - 2906193

### Accessories

---

Fuse set - FUSE/TE5/3.15A/F-10PCS - 2906442



Plug-in fuse (TE5<sup>®</sup>); nominal current: 3.15 A; tripping behavior: fast-blow (F)

---

---