

Voltage measuring transducers - MACX MCR-VDC - 2906242

Please be informed that the data shown in this PDF Document is generated from our Online Catalog. Please find the complete data in the user's documentation. Our General Terms of Use for Downloads are valid (<http://phoenixcontact.com/download>)




MACX MCR voltage transducers for DC voltages of 0... (+/-) 20 V DC to 0.. (+/-) 660 V DC, output signal (+/-) 10 V/ (+/-)20 mA

Your advantages

- Adjustable voltage ranges
- Bidirectional output signals
- 3-way isolation
- ZERO/SPAN adjustment $\pm 20\%$
- Tool-free parameterization of measured values
- Teach-in configuration of the measured value range



Key Commercial Data

Packing unit	1 pc
GTIN	 4 055626 050928
GTIN	4055626050928
Weight per Piece (excluding packing)	240.000 g
Custom tariff number	85437090
Country of origin	Germany

Technical data

Note

Utilization restriction	EMC: class A product, see manufacturer's declaration in the download area
-------------------------	---

Dimensions

Width	22.5 mm
-------	---------

Voltage measuring transducers - MACX MCR-VDC - 2906242

Technical data

Dimensions

Height	99 mm
Depth	114.5 mm

Ambient conditions

Ambient temperature (operation)	-25 °C ... 60 °C
Ambient temperature (storage/transport)	-40 °C ... 85 °C (non-condensing)
Maximum altitude	≤ 2000 m
Permissible humidity (operation)	10 % ... 95 % (non-condensing)
Degree of protection	IP20
Noise immunity	EN 61000-6-2 When being exposed to interference, there may be minimal deviations.

Input data

Input voltage range	-550 V DC ... 550 V DC
Input resistance	5500 kΩ
Input voltage range	-370 V DC ... 370 V DC
Input resistance	3700 kΩ
Input voltage range	-250 V DC ... 250 V DC
Input resistance	2500 kΩ
Input voltage range	-170 V DC ... 170 V DC
Input resistance	1700 kΩ
Input voltage range	-120 V DC ... 120 V DC
Input resistance	1200 kΩ
Input voltage range	-80 V DC ... 80 V DC
Input resistance	800 kΩ
Input voltage range	-54 V DC ... 54 V DC
Input resistance	800 kΩ
Input voltage range	-36 V DC ... 36 V DC
Input resistance	800 kΩ
Input voltage range	-24 V DC ... 24 V DC
Input resistance	240 kΩ
Nom. voltage	± 660 V DC

Output data

Output name	Voltage output
Voltage output signal	-10 V ... 10 V
Max. output voltage	≤ 11 V
Load/output load voltage output	> 10 kΩ
Ripple	50 mV

Voltage measuring transducers - MACX MCR-VDC - 2906242

Technical data

Output data

Output name	Current output
Current output signal	-20 mA ... 20 mA
Max. output current	≤ 22 mA
Load/output load current output	< 500 Ω

Power supply

Nominal supply voltage	24 V DC (-20 % ... +25 %)
Supply voltage range	19.2 V DC ... 30 V DC
Max. current consumption	< 60 mA

Connection data

Connection method	Pluggable screw connection
Connection technology	Screw connection
Stripping length	8 mm
Screw thread	M3
Conductor cross section solid	0.2 mm ² ... 2.5 mm ²
Conductor cross section flexible	0.2 mm ² ... 2.5 mm ²
Conductor cross section AWG	24 ... 14

General

Maximum transmission error	< 1 % (of measuring range end value)
Maximum temperature coefficient	< 0.015 %/K
Alignment zero	± 20 %
Alignment span	± 20 %
Step response (10-90%)	< 16 ms
Test voltage	5.3 kV AC (50 Hz, 1 min.)
Electromagnetic compatibility	Conformance with EMC directive
Noise emission	EN 61000-6-4
Noise immunity	EN 61000-6-2 When being exposed to interference, there may be minimal deviations.
Color	gray
Mounting position	any
Assembly instructions	Can be aligned with spacing = 10 mm
Conformance	CE-compliant
UL, USA/Canada	UL 61010 Listed

Standards and Regulations

Electromagnetic compatibility	Conformance with EMC directive
Noise emission	EN 61000-6-4
Standards/regulations	IEC 61010-1

Voltage measuring transducers - MACX MCR-VDC - 2906242

Technical data

Standards and Regulations

	IEC 61010-2-030
Pollution degree	2
Low Voltage Directive	Conformance with Low Voltage Directive
Conformance	CE-compliant
UL, USA/Canada	UL 61010 Listed

Conformance/approvals

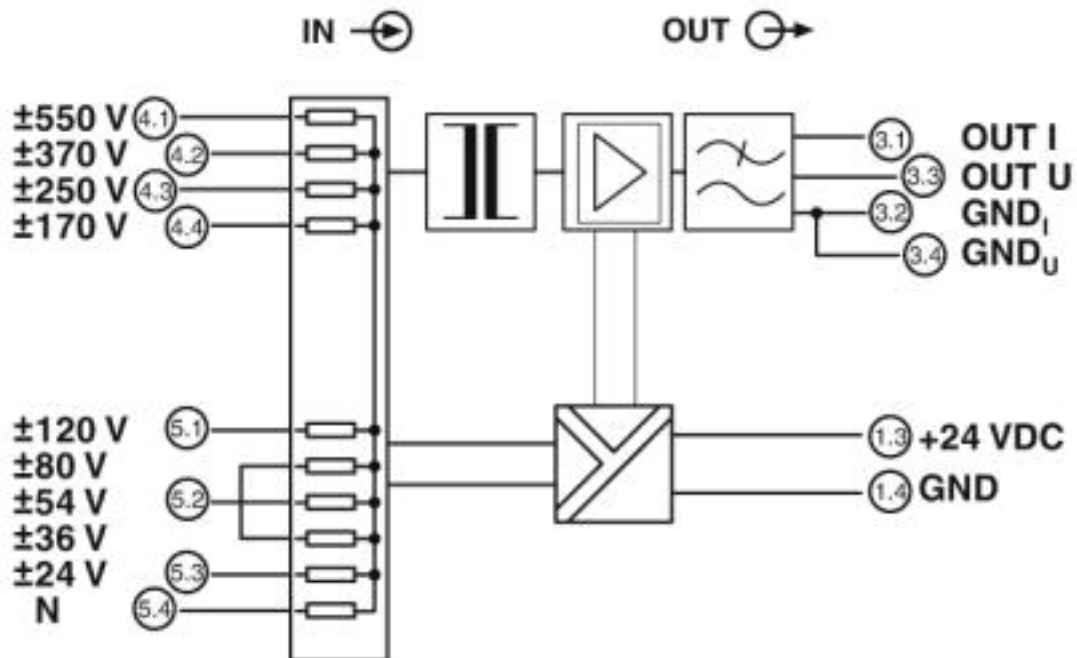
Designation	CE
Identification	CE-compliant
Designation	UL, USA/Canada
Identification	UL 61010 Listed

Environmental Product Compliance

REACH SVHC	Lead 7439-92-1
China RoHS	Environmentally Friendly Use Period = 50
	For details about hazardous substances go to tab "Downloads", Category "Manufacturer's declaration"

Drawings

Block diagram



Voltage measuring transducers - MACX MCR-VDC - 2906242

Classifications

eCl@ss

eCl@ss 4.0	27271100
eCl@ss 5.0	27200300
eCl@ss 5.1	27200300
eCl@ss 6.0	27210100
eCl@ss 7.0	27210125
eCl@ss 8.0	27210125
eCl@ss 9.0	27210125

ETIM

ETIM 4.0	EC002477
ETIM 5.0	EC002477
ETIM 6.0	EC002477
ETIM 7.0	EC002477

Approvals

Approvals

Approvals

UL Listed / cUL Listed / EAC / cULus Listed

Ex Approvals

Approval details

UL Listed		http://database.ul.com/cgi-bin/XYV/template/LISEXT/1FRAME/index.htm	FILE E 330267
-----------	---	---	---------------

cUL Listed		http://database.ul.com/cgi-bin/XYV/template/LISEXT/1FRAME/index.htm	FILE E 330267
------------	---	---	---------------

EAC		RU C- DE.A*30.B.01082
-----	---	--------------------------

Voltage measuring transducers - MACX MCR-VDC - 2906242

Approvals

cULus Listed



Phoenix Contact 2019 © - all rights reserved
<http://www.phoenixcontact.com>