

Interface cable - CAB-MSTB32/2XMC9/22/ 0,5M/C3/S - 2906874

Please be informed that the data shown in this PDF Document is generated from our Online Catalog. Please find the complete data in the user's documentation. Our General Terms of Use for Downloads are valid (<http://phoenixcontact.com/download>)


VIP 16-channel cable for use with Honeywell C300 universal I/O, 22 AWG, 0.5 m long



Your advantages

- ✓ Splitter cable for connecting two 8-channel VIP base modules to a Honeywell® 16-channel IOTA board assembly
- ✓ #22 AWG halogen-free cable
- ✓ Locking flanges for securing cables to the modules and IOTA

Key Commercial Data

Packing unit	1 pc
GTIN	 4 055626 541907
GTIN	4055626541907
Weight per Piece (excluding packing)	1.000 g
Custom tariff number	85444290
Country of origin	Mexico

Technical data

Ambient conditions

Ambient temperature (operation)	-40 °C ... 90 °C (static)
Ambient temperature (storage/transport)	-40 °C ... 90 °C

General

Max. permissible operating voltage	< 30 V AC/DC
Max. current carrying capacity per path	2 A
Length of cable	0.5 m
External cable diameter	8.5 mm
Single wire, cross section	0.36 mm ²
Single wire, cross section [AWG]	22
Single wires, quantity	7

Interface cable - CAB-MSTB32/2XMC9/22/ 0,5M/C3/S - 2906874

Technical data

General

Single wire, material	Cu tin-plated
Shielding	yes
	Tinned copper-braided shield, approx. 85% covering

Connection data

Connection name	Field level
Connection method	pluggable
Number of connections	2
Number of positions	18
Pitch	3.81 mm

Connection data 2

Connection name	Controller level
Connection method	pluggable
Number of connections	1
Number of positions	32
Pitch	5.08 mm

Standards and Regulations

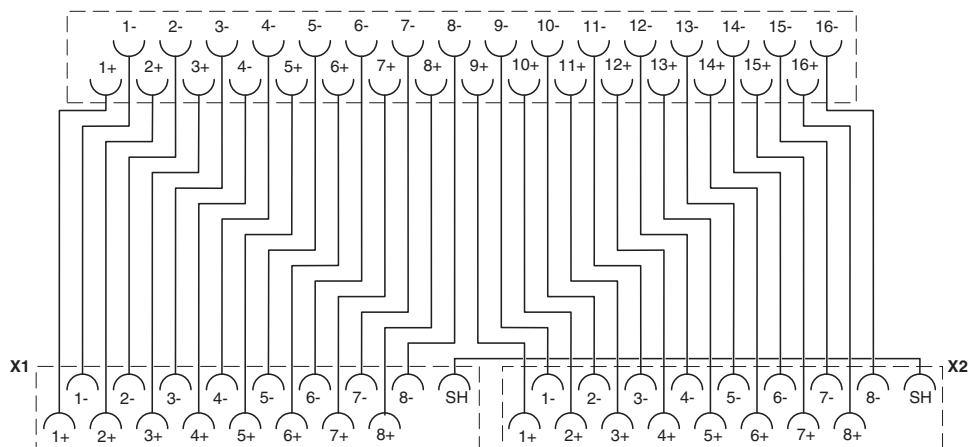
Flame resistance	IEC 60332-1
------------------	-------------

Supported controller

Controller	Honeywell C300
------------	----------------

Drawings

Circuit diagram



Interface cable - CAB-MSTB32/2XMC9/22/ 0,5M/C3/S - 2906874

Classifications

eCl@ss

eCl@ss 5.1	27242200
eCl@ss 6.0	27249200
eCl@ss 7.0	27249205
eCl@ss 8.0	27249205
eCl@ss 9.0	27242220

ETIM

ETIM 5.0	EC000237
ETIM 6.0	EC000237
ETIM 7.0	EC000237

Accessories

Additional products

Base module - VIP/S/MC/BASE 1-8/L/EX - 2906596



VIP base module with input/output accessories (IOA) provide universal channel configuration. This module has markings for channels 1-8.

Base module - VIP/S/MC/BASE 9-16/L/EX - 2906630



VIP base module with input/output accessories (IOA) provide universal channel configuration. This module has markings for channels 9-16.

Base module - VIP/S/MC/BASE 17-24/L/EX - 2907024



VIP base module with input/output accessories (IOA) provide universal channel configuration. This module has markings for channels 17-24.

Interface cable - CAB-MSTB32/2XMC9/22/ 0,5M/C3/S - 2906874

Accessories

Base module - VIP/S/MC/BASE 25-32/L/EX - 2907025



VIP base module with input/output accessories (IOA) provide universal channel configuration. This module has markings for channels 25-32.

Base module - VIP/S/MC/BASE 1-8/L/C/EX - 2907186



VIP base module with input/output accessories (IOA) provide universal channel configuration. This module has markings for channels 1-8 and includes conformal coating of the printed circuit board assembly.

Base module - VIP/S/MC/BASE 9-16/L/C/EX - 2907187



VIP base module with input/output accessories (IOA) provide universal channel configuration. This module has markings for channels 9-16 and includes conformal coating of the printed circuit board assembly.

Base module - VIP/S/MC/BASE 17-24/L/C/EX - 2907209



VIP base module with input/output accessories (IOA) provide universal channel configuration. This module has markings for channels 17-24 and includes conformal coating of the printed circuit board assembly.

Base module - VIP/S/MC/BASE 25-32/L/C/EX - 2907210



VIP base module with input/output accessories (IOA) provide universal channel configuration. This module has markings for channels 25-32 and includes conformal coating of the printed circuit board assembly.
