

## Input/output module - IOA REL 230V DI/1.0A/EX - 2910423

Please be informed that the data shown in this PDF Document is generated from our Online Catalog. Please find the complete data in the user's documentation. Our General Terms of Use for Downloads are valid (<http://phoenixcontact.com/download>)




VIP field termination assemblies (FTA) with input/output accessories (IOA) provide universal channel configuration for applications seeking to evolve from a traditional fixed I/O approach. Digital relay input, fused with blown fuse indication, active circuit indication, 230 V AC.

### Your advantages

- ✓ Active relay coil indication
- ✓ Two-stage progressive release allowing for voltage checks with field-powered devices
- ✓ Channel for marking accessories
- ✓ Replaceable TE5-style fusing
- ✓ 230 V internal marshalling option for connected field device



### Key Commercial Data

Packing unit	1 pc
GTIN	 4 055626 497303
GTIN	4055626497303
Weight per Piece (excluding packing)	40.000 g
Custom tariff number	85364900
Country of origin	United States

### Technical data

#### Dimensions

Width	10.3 mm
Height	64.2 mm
Depth	72.9 mm

#### Ambient conditions

# Input/output module - IOA REL 230V DI/1.0A/EX - 2910423

## Technical data

### Ambient conditions

Ambient temperature (operation)	-40 °C ... 70 °C
Ambient temperature (storage/transport)	-40 °C ... 70 °C
Permissible humidity (operation)	0 % ... 95 % (non-condensing)
Degree of protection	IP20

### Coil side

Nominal input voltage $U_N$	230 V AC
Input voltage range in reference to $U_N$	0.9 ... 1.1
Typical input current at $U_N$	3 mA
Typical response time	7 ms
Typical release time	15 ms
Protective circuit	Bridge rectifier
Operating voltage display	Yellow LED

### Contact side

Contact type	1 N/O contact
Type of switch contact	Single contact
Contact material	AgSnO, hard gold-plated
Maximum switching voltage	24 V DC
Min. switching current	1 mA (at 24 V)
Maximum inrush current	50 mA
Limiting continuous current	50 mA
Interrupting rating (ohmic load) max.	1.2 W (at 24 V DC)

### Connection data

Connection name	Control circuits
Connection method	Pin strip

### General

Operating mode	100% operating factor
Flammability rating according to UL 94	V0
Mechanical service life	2x 10 <sup>7</sup> cycles
Mounting position	any
Assembly instructions	Plugs into VIP/...BASE...

### Standards and Regulations

Standards/regulations	IEC 60664
	DIN EN 50178
Pollution degree	2
Overvoltage category	II

# Input/output module - IOA REL 230V DI/1.0A/EX - 2910423

## Technical data

### Standards and Regulations

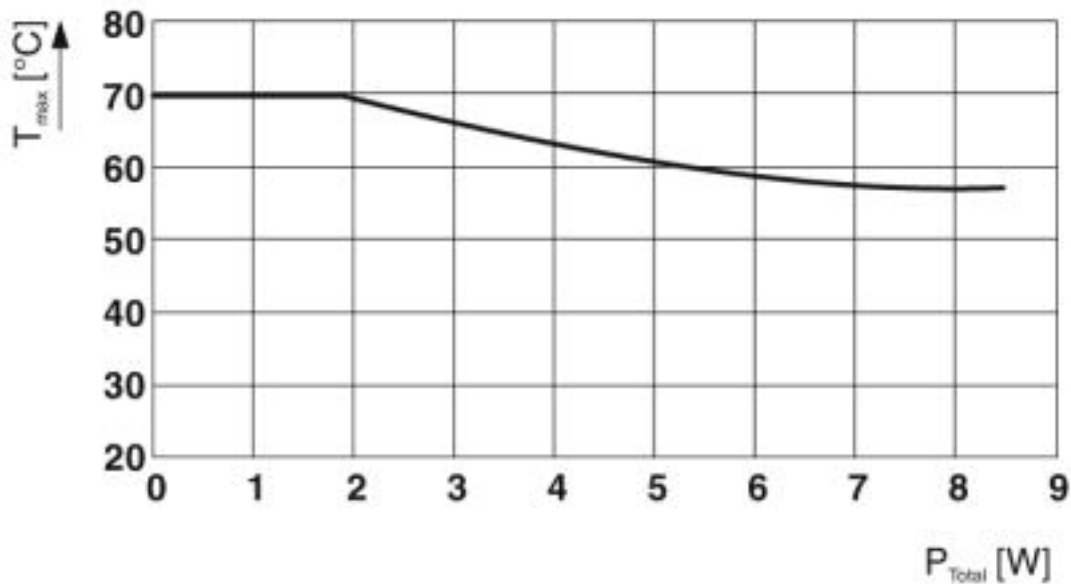
Conformance	ANSI/ISA 60079-0; 60079-15
	ANSI/IEC 60529
	FM 3600; 3611; 3810
ATEX	Sira 17ATEX4293X; II 3G Ex nA nC IIC T4 Gc
IECEX	IECEX SIR 17.0078X; Ex nA nC IIC T4 Gc
UL, USA/Canada	Class I, Div. 2, Groups A, B, C, D T4 Class I, Zone 2, IIC T4
CSA, USA/Canada	Class I, Div. 2, Groups A, B, C, D T4 Class I, Zone 2, AEx nA nC IIC T4 Gc Class I, Div. 2, Groups A, B, C, D T4 Ex nA nC IIC T4 Gc

### Environmental Product Compliance

China RoHS	Environmentally Friendly Use Period = 50 years
	For details about hazardous substances go to tab "Downloads", Category "Manufacturer's declaration"

## Drawings

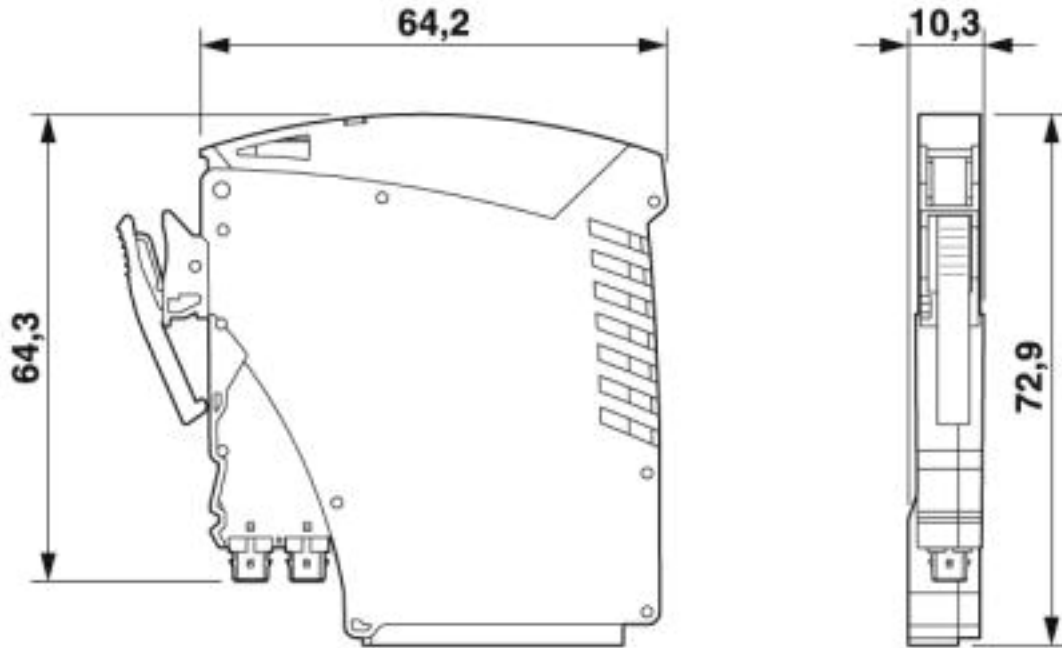
Diagram



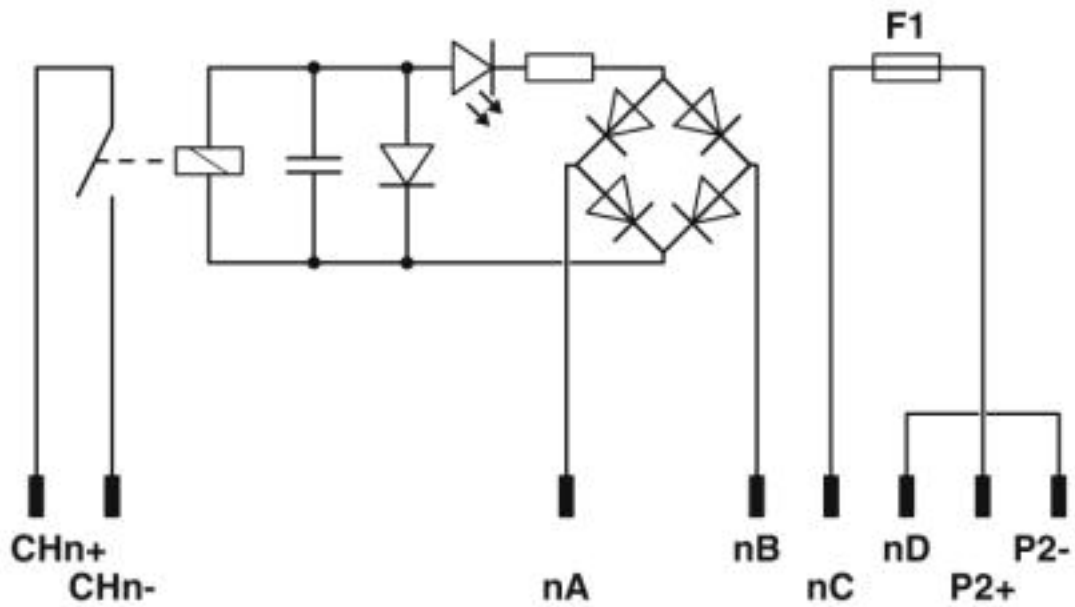
Derating curve

# Input/output module - IOA REL 230V DI/1.0A/EX - 2910423

Dimensional drawing



Circuit diagram



# Input/output module - IOA REL 230V DI/1.0A/EX - 2910423

## Classifications

### eCl@ss

eCl@ss 10.0.1	27371601
eCl@ss 5.0	27371601
eCl@ss 5.1	27371600
eCl@ss 6.0	27371600
eCl@ss 7.0	27371601
eCl@ss 8.0	27371601
eCl@ss 9.0	27371601

### ETIM

ETIM 2.0	EC001437
ETIM 3.0	EC001437
ETIM 4.0	EC001437
ETIM 5.0	EC001437
ETIM 6.0	EC001437
ETIM 7.0	EC001437

### UNSPSC

UNSPSC 6.01	30211824
UNSPSC 7.0901	39121421
UNSPSC 11	39121421
UNSPSC 12.01	39121421
UNSPSC 13.2	39121432
UNSPSC 19.0	39121432

## Accessories

### Accessories

#### Marker pen

Marker pen - B-STIFT - 1051993



Marker pen, for manual labeling of unprinted Zack strips, smear-proof and waterproof, line thickness 0.5 mm

---

### Terminal marking

## Input/output module - IOA REL 230V DI/1.0A/EX - 2910423

### Accessories

#### Marker for terminal blocks - UC-TM 6 - 0818085



Marker for terminal blocks. Sheet, white, unlabeled, can be labeled with: BLUEMARK ID COLOR, BLUEMARK ID, BLUEMARK CLED, PLOTMARK, CMS-P1-PLOTTER, mounting type: snap into tall marker groove, for terminal block width: 6.2 mm, lettering field size: 5.6 x 10.5 mm, Number of individual labels: 80

#### Zack marker strip - ZB 5,08:UNBEDRUCKT - 0809793



Zack marker strip, Strip, white, unlabeled, can be labeled with: PLOTMARK, CMS-P1-PLOTTER, mounting type: snap into tall marker groove, for terminal block width: 5.08 mm, lettering field size: 4.98 x 10.5 mm, Number of individual labels: 10

### Necessary add-on products

#### Base module - VIP/S/MC/BASE 1-8/L/EX - 2906596



VIP base module with input/output accessories (IOA) provide universal channel configuration. This module has markings for channels 1-8.

#### Base module - VIP/S/MC/BASE 9-16/L/EX - 2906630



VIP base module with input/output accessories (IOA) provide universal channel configuration. This module has markings for channels 9-16.

#### Base module - VIP/S/MC/BASE 17-24/L/EX - 2907024



VIP base module with input/output accessories (IOA) provide universal channel configuration. This module has markings for channels 17-24.

## Input/output module - IOA REL 230V DI/1.0A/EX - 2910423

### Accessories

#### Base module - VIP/S/MC/BASE 25-32/L/EX - 2907025



VIP base module with input/output accessories (IOA) provide universal channel configuration. This module has markings for channels 25-32.

---

#### Base module - VIP/S/MC/BASE 1-8/L/C/EX - 2907186



VIP base module with input/output accessories (IOA) provide universal channel configuration. This module has markings for channels 1-8 and includes conformal coating of the printed circuit board assembly.

---

#### Base module - VIP/S/MC/BASE 9-16/L/C/EX - 2907187



VIP base module with input/output accessories (IOA) provide universal channel configuration. This module has markings for channels 9-16 and includes conformal coating of the printed circuit board assembly.

---

#### Base module - VIP/S/MC/BASE 17-24/L/C/EX - 2907209



VIP base module with input/output accessories (IOA) provide universal channel configuration. This module has markings for channels 17-24 and includes conformal coating of the printed circuit board assembly.

---

#### Base module - VIP/S/MC/BASE 25-32/L/C/EX - 2907210



VIP base module with input/output accessories (IOA) provide universal channel configuration. This module has markings for channels 25-32 and includes conformal coating of the printed circuit board assembly.

---

## Input/output module - IOA REL 230V DI/1.0A/EX - 2910423

### Accessories

Base module - VIP/S/D25M/BASE 1-8/L/C/EX - 2906595



VIP base module with input/output accessories (IOA) provide universal channel configuration. This module with the D-SUB 25 connector is pin compatible to the Foxboro I/A series DCS.

---

Base module - VIP/MSTB/D50M/BASE/16CH/CX/EX - 2908788



VIP base module with input/output accessories (IOA) provide universal channel configuration. This module with the D-SUB 50 connector is pin compatible to the Tricon CX series DCS.

---

### Spare parts

Fuse set - FUSE/TE5/1A/F-10PCS - 2905277



Plug-in fuse (TE5<sup>®</sup>); nominal current: 1 A; tripping behavior: fast-blow (F)

---