

## Control cabinet - RAD-SOL-BOX-24V-BLANK - 2917052

Please be informed that the data shown in this PDF Document is generated from our Online Catalog. Please find the complete data in the user's documentation. Our General Terms of Use for Downloads are valid (<http://phoenixcontact.com/download>)




Aluminum cabinet for use outdoors. Designed for use in solar set RAD-SOL-SET-24-...

The figure shows the article with further components

### Why buy this product

- Control cabinet for outdoor use, white powder-coated finish, lockable

### Key Commercial Data

Packing unit	1 STK
GTIN	 4 046356 287357
GTIN	4046356287357
Weight per Piece (excluding packing)	15,000.000 g
Custom tariff number	85381000
Country of origin	Germany

### Technical data

#### Dimensions

Width	500 mm
Height	760 mm
Depth	332 mm

#### Control cabinet / System

Width	500 mm
Height	760 mm
Depth	332 mm

# Control cabinet - RAD-SOL-BOX-24V-BLANK - 2917052

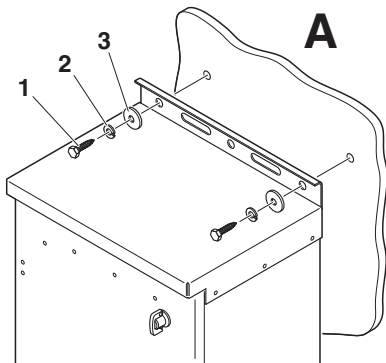
## Technical data

### Control cabinet / System

Net weight	17 kg
Housing material	Aluminum

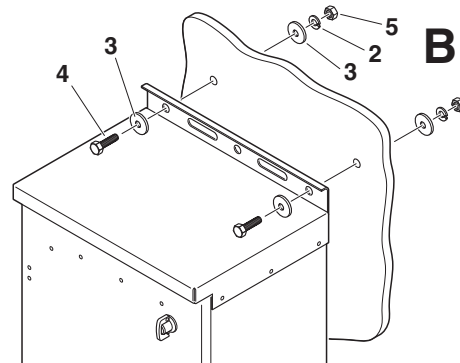
## Drawings

Schematic diagram



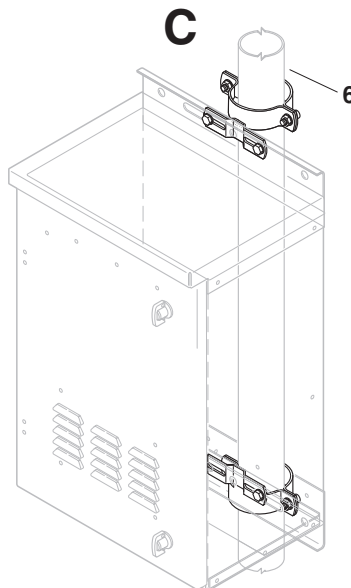
Wall mounting

Schematic diagram



Wall mounting

Schematic diagram



Assembly

# Control cabinet - RAD-SOL-BOX-24V-BLANK - 2917052

## Classifications

### eCl@ss

eCl@ss 4.0	27060805
eCl@ss 4.1	27060805
eCl@ss 5.0	27061805
eCl@ss 5.1	27061805
eCl@ss 6.0	27061805
eCl@ss 7.0	27061805
eCl@ss 8.0	22579290
eCl@ss 9.0	22579290

### ETIM

ETIM 2.0	EC000019
ETIM 3.0	EC000019
ETIM 4.0	EC000019
ETIM 5.0	EC000019

### UNSPSC

UNSPSC 6.01	26121608
UNSPSC 7.0901	26121608
UNSPSC 11	26121608
UNSPSC 12.01	26121608
UNSPSC 13.2	26121608

## Approvals

### Approvals

#### Approvals

UL Listed / cUL Listed / cULus Listed

#### Ex Approvals

### Approval details

UL Listed		<a href="http://database.ul.com/cgi-bin/XYV/template/LISEXT/1FRAME/index.htm">http://database.ul.com/cgi-bin/XYV/template/LISEXT/1FRAME/index.htm</a>	FILE E 255026
-----------	--	---	---------------

## Control cabinet - RAD-SOL-BOX-24V-BLANK - 2917052

### Approvals

cUL Listed



<http://database.ul.com/cgi-bin/XYVV/template/LISEXT/1FRAME/index.htm>

FILE E 255026

cULus Listed

