

Side element - UEG-EU-SE - 2956822

Please be informed that the data shown in this PDF Document is generated from our Online Catalog. Please find the complete data in the user's documentation. Our General Terms of Use for Downloads are valid (<http://phoenixcontact.com/download>)




Side element, two pieces necessary, for closing the base element, 1.5 mm thick.

Your advantages

- We will be happy to provide custom cutouts in the base element for connection elements
- UEG-EU-VS connection pins ensure the necessary stability
- Individual UEG-EU-BE base elements can be mounted to extend the installation space
- Direct mounting of the PCB on the UEG-EU BE base element with B 2,2 x 9,5 DIN ISO 1481 sheet metal screws
- Snap-in mounting on standard EN DIN rails

Key Commercial Data

Packing unit	1 pc
Minimum order quantity	5 pc
GTIN	 4 017918 085964
GTIN	4017918085964
Weight per Piece (excluding packing)	40.000 g
Custom tariff number	85369010
Country of origin	Germany

Technical data

General

Housing type	Component housing
Color (RAL)	green

Dimensions

Side element - UEG-EU-SE - 2956822

Technical data

Dimensions

Height	127.5 mm
Width	1.5 mm
Depth	172 mm

Standards and Regulations

Flammability rating according to UL 94	HB
--	----

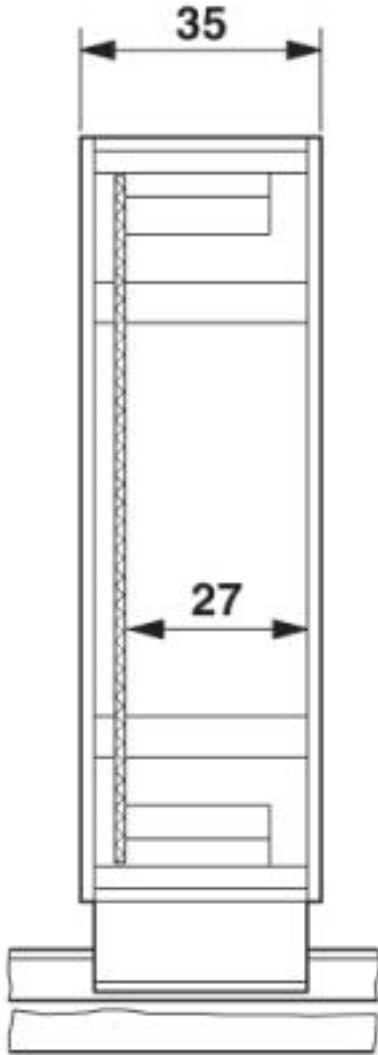
Environmental Product Compliance

China RoHS	Environmentally friendly use period: unlimited = EFUP-e
	No hazardous substances above threshold values

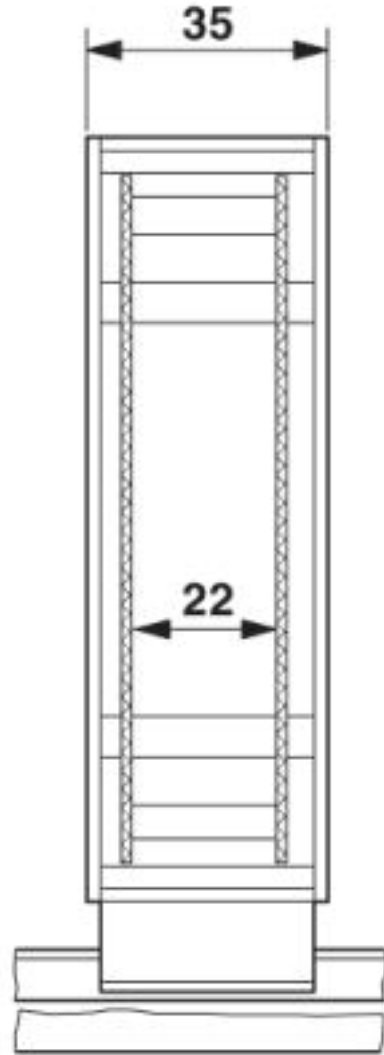
Drawings

Side element - UEG-EU-SE - 2956822

Dimensional drawing

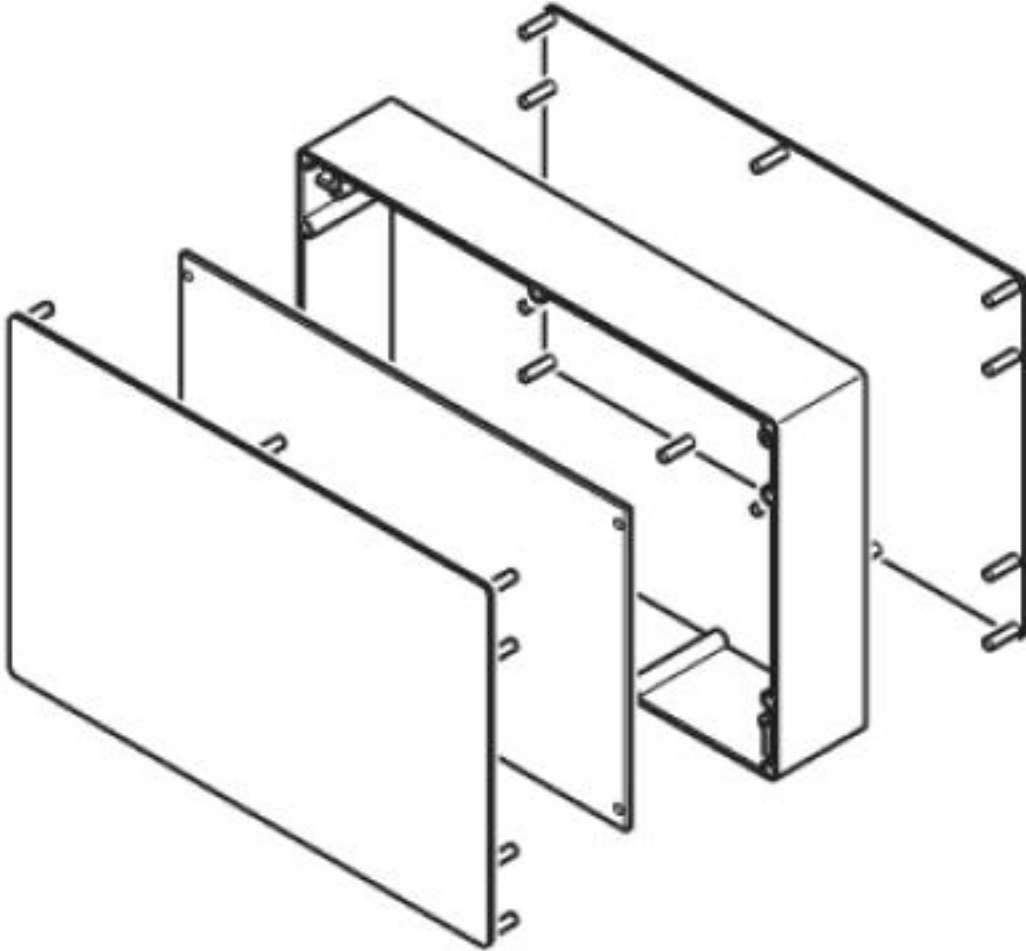


Dimensional drawing



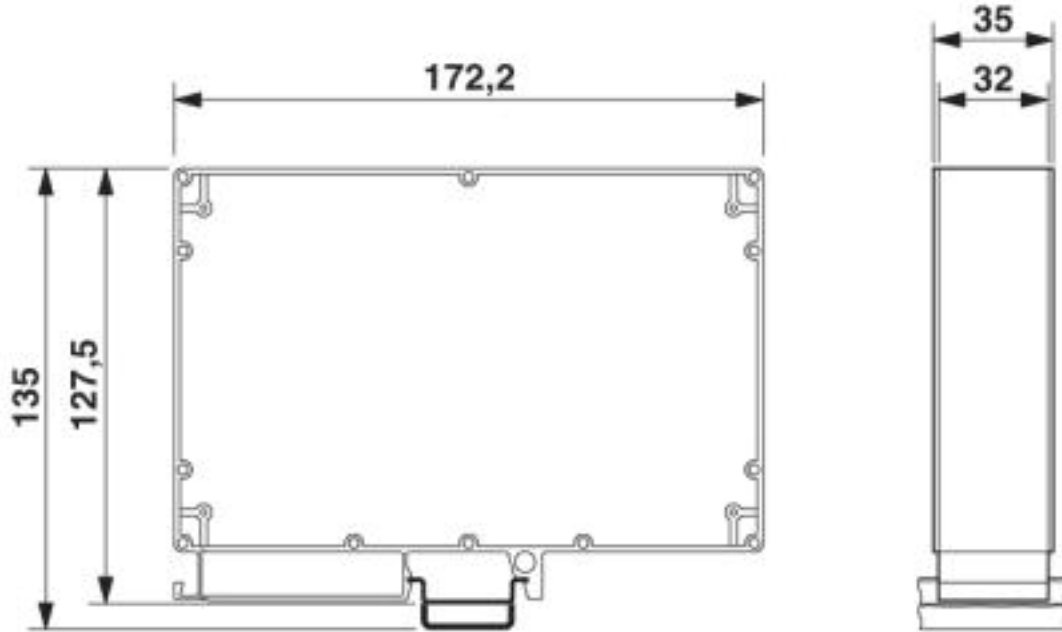
Side element - UEG-EU-SE - 2956822

Exploded view



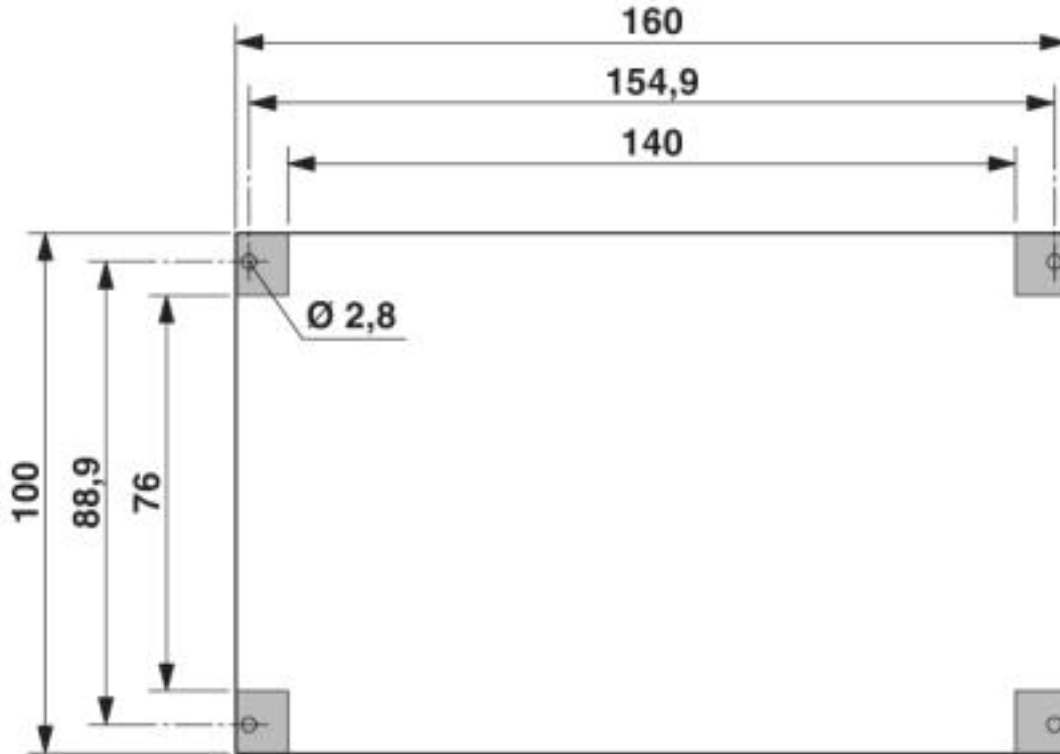
Side element - UEG-EU-SE - 2956822

Dimensional drawing



Side element - UEG-EU-SE - 2956822

Dimensional drawing



Classifications

eCl@ss

eCl@ss 4.0	27180400
eCl@ss 4.1	27180400
eCl@ss 5.0	27180500
eCl@ss 5.1	27180500
eCl@ss 6.0	27180800
eCl@ss 7.0	27182702
eCl@ss 8.0	27182702
eCl@ss 9.0	27182702

ETIM

ETIM 2.0	EC001031
ETIM 3.0	EC001031
ETIM 4.0	EC001031
ETIM 5.0	EC000886
ETIM 6.0	EC001031

Side element - UEG-EU-SE - 2956822

Classifications

ETIM

ETIM 7.0	EC001031
----------	----------

UNSPSC

UNSPSC 6.01	31261501
UNSPSC 7.0901	31261501
UNSPSC 11	31261501
UNSPSC 12.01	31261501
UNSPSC 13.2	31261501

Approvals


Approvals


Approvals

UL Recognized / EAC

Ex Approvals

Approval details

UL Recognized		http://database.ul.com/cgi-bin/XYV/template/LISEXT/1FRAME/index.htm	FILE E 240868
---------------	---	---	---------------

EAC			B.01742
-----	---	--	---------
