

## Passive module - UM 45- 2FLK14/ZFKDS/S7 - 2965156

Please be informed that the data shown in this PDF Document is generated from our Online Catalog. Please find the complete data in the user's documentation. Our General Terms of Use for Downloads are valid (<http://phoenixcontact.com/download>)



VARIOFACE interface module for Siemens SIMATIC® S7-300, for max. 16 channels with SIMATIC®-specific labeling (1 - 20), with spring-cage connection, module width: 98 mm

### Your advantages

- ✓ Numerical labeling (1 - 20)
- ✓ Specifically for S7 300
- ✓ Connection via two 14-pos. system cables



### Key Commercial Data

Packing unit	1 pc
GTIN	
GTIN	4017918126360
Weight per Piece (excluding packing)	106.100 g
Custom tariff number	85369010
Country of origin	Germany

### Technical data

#### Dimensions

Width	98 mm
Height	45 mm
Depth	50 mm

#### Ambient conditions

Ambient temperature (operation)	-20 °C ... 50 °C
Ambient temperature (storage/transport)	-20 °C ... 70 °C

## Passive module - UM 45- 2FLK14/ZFKDS/S7 - 2965156

### Technical data

#### General

Nominal voltage $U_N$	60 V DC
Max. perm. current (per branch)	1 A
Max. permissible current (separate power supply)	max. 3 A (/Byte)
Number of positions	14
Status display	No
Mounting position	any
Degree of protection	IP00

#### Connection data for connection 1

Connection name	Field level
Connection method	Spring-cage connection
Stripping length	6 mm
Conductor cross section solid	0.14 mm <sup>2</sup> ... 1.5 mm <sup>2</sup>
Conductor cross section flexible	0.14 mm <sup>2</sup> ... 1.5 mm <sup>2</sup>
Conductor cross section AWG	26 ... 14

#### Connection data for connection 2

Connection name	Controller level
Connection method	IDC/FLK pin strip
Number of connections	2
Number of positions	14

#### Supported controller

Controller	GE-FANUC 90-30
- suitable I/O card	IC693 MDL732
	IC693 MDL733
	IC693 MDL740
	IC693 MDL741
	IC693 MDL742
	IC693 ALG220
	IC693 ALG221
	IC693 ALG222
	IC693 ALG223
	IC693 ALG390
	IC693 ALG391
	IC693 ALG392
	IC693 ALG442
Controller	SIEMENS S7-300 / ET 200 M
- suitable I/O card	CPU 312C

## Passive module - UM 45- 2FLK14/ZFKDS/S7 - 2965156

### Technical data

#### Supported controller

	CPU 313C-2DP
	CPU 314C-2PiP
	6ES7 321-1BH50-0AA0
	6ES7 321-7BH01-0AB0
	6ES7 321-1BH02-0AA0
	6ES7 321-1BL00-0AA0
	6ES7 322-1BH01-0AA0
	6ES7 322-8BF00-0AB0
	6ES7 322-1BL00-0AA0
	6ES7 323-1BH01-0AA0
	6ES7 323-1BL00-0AA0
	6ES7 331-7KF02-0AB0
	6ES7 331-7KB02-0AB0
	6ES7 331-7NF00-0AB0
	6ES7 331-7PF01-0AB0
	6ES7 331-7PF11-0AB0
	6ES7 332-5HD01-0AB0
	6ES7 332-5HB01-0AB0
	6ES7 332-7ND02-0AB0
	6ES7 334-0CE01-0AA0
	6ES7 334-0KE00-0AB0
	6ES7 335-7HG01-0AB0
	6ES7 335-7HG01-0AB0
	6ES7 338-4BC01-0AB0
	6ES7 350-1AH03-0AE0
	6ES7 350-2AH01-0AE0
	6ES7 351-1AH01-0AE0
	6ES7 352-1AH02-0AE0
	6ES7 353-1AH01-0AE0
	6ES7 354-1AH01-0AE0
	6ES7 355-0VH10-0AE0
	6ES7 355-1VH10-0AE0
	6ES7 357-4AH01-0AE0
	6ES7 321-7BH01-0AB0
	6ES7 331-7HF01-0AB0
	6ES7 321-1BH10-0AA0
	6ES7 322-1BH10-0AA0

# Passive module - UM 45- 2FLK14/ZFKDS/S7 - 2965156

## Technical data

### Supported controller

	CPU 313C
	CPU 313C-2PtP
	6ES7 336-4GE00-0AB0

### Standards and Regulations

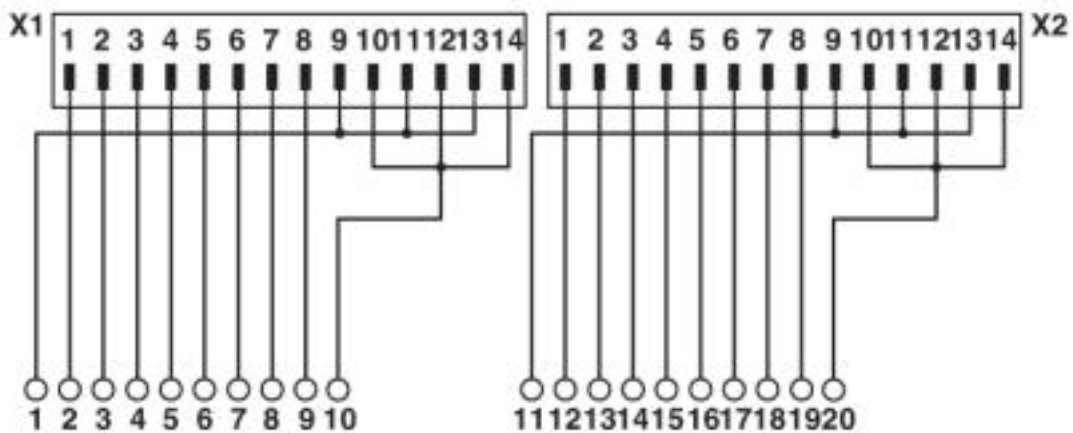
Standards/regulations	IEC 60664
	DIN EN 50178
Rated insulation voltage	63 V
Rated surge voltage	0.6 kV
Insulation	Functional insulation
Degree of pollution	2
Overvoltage category	II

### Environmental Product Compliance

China RoHS	Environmentally Friendly Use Period = 50
	For details about hazardous substances go to tab "Downloads", Category "Manufacturer's declaration"

## Drawings

Circuit diagram



UM 45-2FLK14/ZFKDS/S7 connection scheme

# Passive module - UM 45- 2FLK14/ZFKDS/S7 - 2965156

## Classifications

### eCl@ss

eCl@ss 4.0	27250300
eCl@ss 4.1	27250300
eCl@ss 5.0	27371600
eCl@ss 5.1	27371600
eCl@ss 6.0	27371600
eCl@ss 7.0	27141152
eCl@ss 8.0	27141152
eCl@ss 9.0	27141152

### ETIM

ETIM 5.0	EC002780
ETIM 6.0	EC002780
ETIM 7.0	EC002780

### UNSPSC

UNSPSC 6.01	30211824
UNSPSC 7.0901	39121421
UNSPSC 11	39121421
UNSPSC 12.01	39121421
UNSPSC 13.2	39121432

## Approvals

### Approvals

---

Approvals


EAC

---

Ex Approvals

---

### Approval details

EAC		RU C- DE.A*30.B.01742
-----	---	--------------------------

---

