

## Solid-state relay module - PLC-OSP-120UC/ 48DC/100 - 2967552

Please be informed that the data shown in this PDF Document is generated from our Online Catalog. Please find the complete data in the user's documentation. Our General Terms of Use for Downloads are valid (<http://phoenixcontact.com/download>)




PLC-INTERFACE, consisting of PLC-BSP.../21 basic terminal block with spring-cage connection and plug-in miniature solid-state relay, for mounting on DIN rail NS 35/7,5, 1 N/O contact, input: 120 V AC/110 V DC, output: 3 - 48 V DC/100 mA

### Your advantages

- ✓ Slim design
- ✓ Efficient connection to system cabling using V8 adapter
- ✓ RT III sealed solid-state relay
- ✓ High switching power
- ✓ Integrated input circuit
- ✓ Zero voltage switch at AC output
- ✓ Functional plug-in bridges



### Key Commercial Data

|                                      |   |
|--------------------------------------|---|
| Packing unit                         | 1 pc  |
| GTIN                                 | <br>4 017918 165796 |
| GTIN                                 | 4017918165796   |
| Weight per Piece (excluding packing) | 30.200 g  |
| Custom tariff number                 | 85364900  |
| Country of origin                    | Germany   |

### Technical data

#### Dimensions

|        |        |
|--------|--------|
| Width  | 6.2 mm |
| Height | 80 mm  |
| Depth  | 94 mm  |

# Solid-state relay module - PLC-OSP-120UC/ 48DC/100 - 2967552

## Technical data

### Ambient conditions

|   |                  |
|---|------------------|
| Ambient temperature (operation)         | -25 °C ... 60 °C |
| Ambient temperature (storage/transport) | -25 °C ... 70 °C |

### Input data

|  |                       |
|--|-----------------------|
| Nominal input voltage $U_N$                          | 120 V AC              |
|  | 110 V DC              |
| Input voltage range in reference to $U_N$            | 0.9 ... 1.1           |
| Input voltage range                                  | 108 V AC ... 132 V AC |
|  | 99 V DC ... 121 V DC  |
| Switching threshold "0" signal in reference to $U_N$ | $\leq 0.3$            |
| Switching threshold "1" signal in reference to $U_N$ | $\geq 0.9$            |
| Typical input current at $U_N$                       | 3.5 mA                |
| Typical response time                                | 3 ms (at $U_N$ )      |
| Typical turn-off time                                | 4 ms (at $U_N$ )      |
| Type of protection                                   | Bridge rectifier      |
| Protective circuit/component                         | Bridge rectifier      |
| Transmission frequency                               | 10 Hz                 |
| Power dissipation for nominal condition              | 0.42 W                |

### Output data

|  |                             |
|--|-----------------------------|
| Output voltage range                             | 3 V DC ... 48 V DC          |
| Limiting continuous current                      | 100 mA                      |
| Voltage drop at max. limiting continuous current | $\leq 1$ V                  |
| Output circuit                                   | 2-wire, floating            |
| Type of protection                               | Reverse polarity protection |
|  | Surge protection            |
| Protective circuit/component                     | Polarity protection diode   |

### Connection data, input side

|                                  |  |
|----------------------------------|--|
| Connection name                  | Input side                                   |
| Connection method                | Spring-cage connection                       |
| Stripping length                 | 8 mm   |
| Conductor cross section solid    | 0.14 mm <sup>2</sup> ... 2.5 mm <sup>2</sup> |
| Conductor cross section flexible | 0.14 mm <sup>2</sup> ... 2.5 mm <sup>2</sup> |
| Conductor cross section AWG      | 26 ... 14                                    |

### Connection data, output side

|                   |                        |
|-------------------|------------------------|
| Connection name   | Output side            |
| Connection method | Spring-cage connection |

## Solid-state relay module - PLC-OSP-120UC/ 48DC/100 - 2967552

### Technical data

#### Connection data, output side

|                                  |  |
|----------------------------------|--|
| Stripping length                 | 8 mm   |
| Conductor cross section solid    | 0.14 mm <sup>2</sup> ... 2.5 mm <sup>2</sup> |
| Conductor cross section flexible | 0.14 mm <sup>2</sup> ... 2.5 mm <sup>2</sup> |
| Conductor cross section AWG      | 26 ... 14                                    |

#### General

|                           |                           |
|---------------------------|---------------------------|
| Test voltage input/output | 2.5 kV (50 Hz, 1 min.)    |
| Mounting position         | any                       |
| Assembly instructions     | In rows with zero spacing |
| Operating mode            | 100% operating factor     |

#### Standards and Regulations

|                                  |                       |
|----------------------------------|-----------------------|
| Connection in acc. with standard | CUL                   |
| Designation                      | Standards/regulations |
| Standards/regulations            | IEC 60664             |
|                                  | EN 50178              |
| Insulation                       | Basic insulation      |
| Pollution degree                 | 2                     |
| Overvoltage category             | III                   |

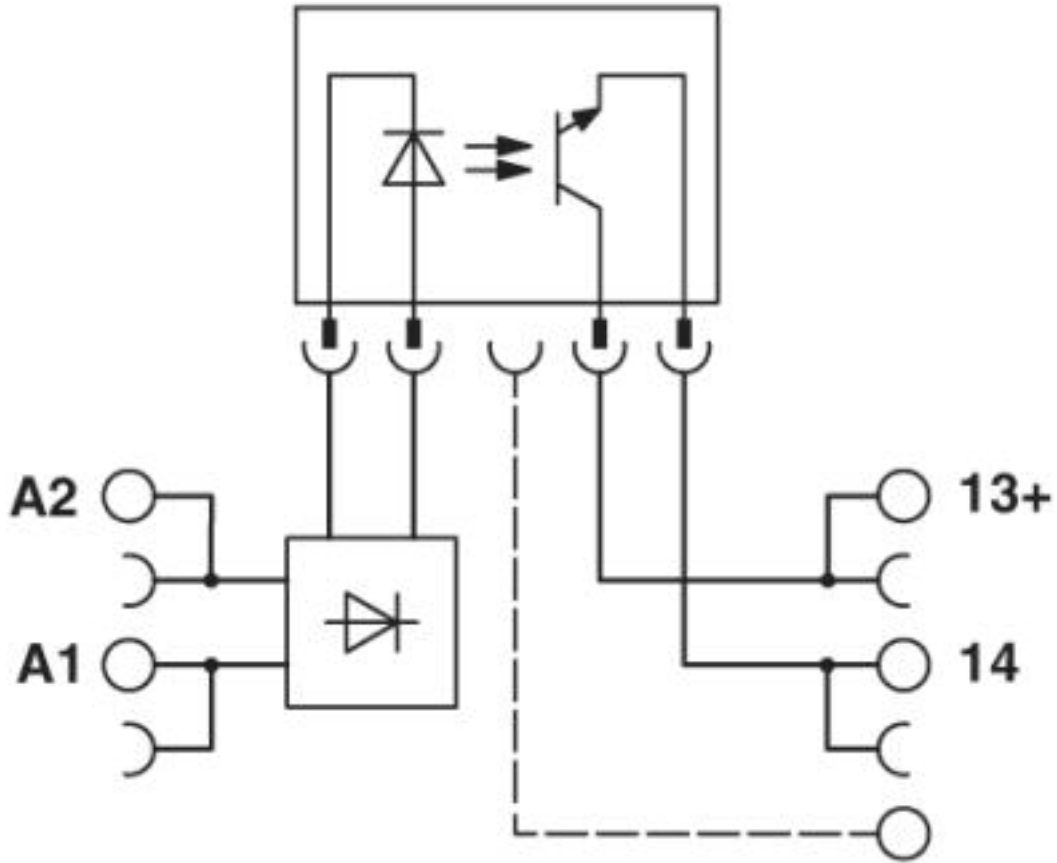
#### Environmental Product Compliance

|            |   |
|------------|---|
| REACH SVHC | Lead 7439-92-1  |
| China RoHS | Environmentally Friendly Use Period = 50  |
|            | For details about hazardous substances go to tab "Downloads", Category "Manufacturer's declaration" |

### Drawings

# Solid-state relay module - PLC-OSP-120UC/ 48DC/100 - 2967552

Circuit diagram



## Classifications

eCl@ss

|            |          |
|------------|----------|
| eCl@ss 5.0 | 27371001 |
| eCl@ss 5.1 | 27371000 |
| eCl@ss 6.0 | 27371600 |
| eCl@ss 7.0 | 27371604 |
| eCl@ss 8.0 | 27371604 |
| eCl@ss 9.0 | 27371604 |

ETIM

|          |          |
|----------|----------|
| ETIM 2.0 | EC001504 |
| ETIM 3.0 | EC001504 |
| ETIM 4.0 | EC001504 |
| ETIM 5.0 | EC001504 |

# Solid-state relay module - PLC-OSP-120UC/ 48DC/100 - 2967552

## Classifications

### ETIM

|          |          |
|----------|----------|
| ETIM 6.0 | EC001504 |
| ETIM 7.0 | EC001504 |

### UNSPSC

|               |          |
|---------------|----------|
| UNSPSC 6.01   | 30211916 |
| UNSPSC 7.0901 | 39121542 |
| UNSPSC 11     | 39121542 |
| UNSPSC 12.01  | 39121542 |
| UNSPSC 13.2   | 39122326 |

## Approvals


### Approvals

#### Approvals

PRS / GL / UL Listed / UL Recognized / cUL Recognized / cUL Listed / EAC / cULus Recognized / cULus Listed

#### Ex Approvals

### Approval details

|     |   |   |                   |
|-----|---|---|-------------------|
| PRS |  | <a href="http://www.prs.pl/">http://www.prs.pl/</a> | TE/2109/880590/16 |
|-----|---|---|-------------------|

|    |   |   |             |
|----|---|---|-------------|
| GL |  | <a href="https://approvalfinder.dnvgl.com/">https://approvalfinder.dnvgl.com/</a> | 46016-03 HH |
|----|---|---|-------------|

|           |   |   |               |
|-----------|---|---|---------------|
| UL Listed |  | <a href="http://database.ul.com/cgi-bin/XYV/template/LISEXT/1FRAME/index.htm">http://database.ul.com/cgi-bin/XYV/template/LISEXT/1FRAME/index.htm</a> | FILE E 172140 |
|-----------|---|---|---------------|

|               |   |   |               |
|---------------|---|---|---------------|
| UL Recognized |  | <a href="http://database.ul.com/cgi-bin/XYV/template/LISEXT/1FRAME/index.htm">http://database.ul.com/cgi-bin/XYV/template/LISEXT/1FRAME/index.htm</a> | FILE E 238705 |
|---------------|---|---|---------------|

# Solid-state relay module - PLC-OSP-120UC/ 48DC/100 - 2967552

## Approvals

|                |  |   |               |
|----------------|--|---|---------------|
| cUL Recognized |  | <a href="http://database.ul.com/cgi-bin/XYV/template/LISEXT/1FRAME/index.htm">http://database.ul.com/cgi-bin/XYV/template/LISEXT/1FRAME/index.htm</a> | FILE E 238705 |
|----------------|--|---|---------------|

|            |  |   |               |
|------------|--|---|---------------|
| cUL Listed |  | <a href="http://database.ul.com/cgi-bin/XYV/template/LISEXT/1FRAME/index.htm">http://database.ul.com/cgi-bin/XYV/template/LISEXT/1FRAME/index.htm</a> | FILE E 172140 |
|------------|--|---|---------------|

|     |  |  |                          |
|-----|--|--|--------------------------|
| EAC |  |  | RU C-<br>DE.A*30.B.01082 |
|-----|--|--|--------------------------|

|                  |  |  |  |
|------------------|--|--|--|
| cULus Recognized |  |  |  |
|------------------|--|--|--|

|              |  |  |  |
|--------------|--|--|--|
| cULus Listed |  |  |  |
|--------------|--|--|--|

## Accessories

### Accessories

#### Bridge

Continuous plug-in bridge - FBST 500-PLC RD - 2966786



Continuous plug-in bridge, length: 500 mm, color: red

Continuous plug-in bridge - FBST 500-PLC BU - 2966692



Continuous plug-in bridge, length: 500 mm, color: blue

## Solid-state relay module - PLC-OSP-120UC/ 48DC/100 - 2967552

### Accessories

Continuous plug-in bridge - FBST 500-PLC GY - 2966838



Continuous plug-in bridge, length: 500 mm, color: gray

---

Single plug-in bridge - FBST 6-PLC RD - 2966236



Single plug-in bridge, length: 6 mm, number of positions: 2, color: red

---

Single plug-in bridge - FBST 6-PLC BU - 2966812



Single plug-in bridge, length: 6 mm, number of positions: 2, color: blue

---

Single plug-in bridge - FBST 6-PLC GY - 2966825



Single plug-in bridge, length: 6 mm, number of positions: 2, color: gray

---

Single plug-in bridge - FBST 8-PLC GY - 2967688



Single plug-in bridge, length: 8 mm, number of positions: 2, color: gray

---

### Controller board

## Solid-state relay module - PLC-OSP-120UC/ 48DC/100 - 2967552

### Accessories

#### System connection - PLC-V8/FLK14/IN - 2296553



V8 adapter for 8 x PLC-INTERFACE (6.2 mm), controller: PLC system cabling of input cards, connection 1: Screw connection 1x, connection 2: IDC/FLK pin strip 1x 14-position, connection 3: Plug connection (Can be snapped onto 8x PLC-INTERFACE terminals), number of channels: 8, control logic: positive switching

#### System connection - PLC-V8/FLK14/IN/M - 2304115



V8 adapter for 8 x PLC-INTERFACE (6.2 mm), controller: PLC system cabling of input cards, connection 1: Screw connection 1x, connection 2: IDC/FLK pin strip 1x 14-position, connection 3: Plug connection (Can be snapped onto 8x PLC-INTERFACE terminals), number of channels: 8, control logic: negative switching

#### System connection - PLC-V8/D15S/IN - 2296074



V8 adapter for 8 x PLC-INTERFACE (6.2 mm), controller: PLC system cabling of input cards, connection 1: Screw connection 1x, connection 2: D-SUB pin strip 1x 15-position, connection 3: Plug connection (Can be snapped onto 8x PLC-INTERFACE terminals), number of channels: 8, control logic: positive switching

#### System connection - PLC-V8/D15B/IN - 2296087



V8 adapter for 8 x PLC-INTERFACE (6.2 mm), controller: PLC system cabling of input cards, connection 1: Screw connection 1x, connection 2: D-SUB socket strip 1x 15-position, connection 3: Plug connection (Can be snapped onto 8x PLC-INTERFACE terminals), number of channels: 8, control logic: positive switching

### DIN rail

#### DIN rail, unperforated - NS 35/ 7,5 V2A UNPERF 2000MM - 0801377



DIN rail, unperforated, Standard profile, width: 35 mm, height: 7.5 mm, acc. to EN 60715, material: Stainless steel V2A, uncoated, length: 2000 mm, color: silver

## Solid-state relay module - PLC-OSP-120UC/ 48DC/100 - 2967552

### Accessories

DIN rail perforated - NS 35/ 7,5 PERF 2000MM - 0801733



DIN rail perforated, Standard profile, width: 35 mm, height: 7.5 mm, acc. to EN 60715, material: Steel, galvanized, passivated with a thick layer, length: 2000 mm, color: silver

---

DIN rail, unperforated - NS 35/ 7,5 CU UNPERF 2000MM - 0801762



DIN rail, unperforated, Standard profile, width: 35 mm, height: 7.5 mm, acc. to EN 60715, material: Copper, uncoated, length: 2000 mm, color: copper-colored

---

DIN rail, unperforated - NS 35/15 UNPERF 2000MM - 1201714



DIN rail, unperforated, Standard profile, width: 35 mm, height: 15 mm, similar to EN 60715, material: Steel, galvanized, passivated with a thick layer, length: 2000 mm, color: silver

---

DIN rail, unperforated - NS 35/15 CU UNPERF 2000MM - 1201895



DIN rail, unperforated, Standard profile, width: 35 mm, height: 15 mm, similar to EN 60715, material: Copper, uncoated, length: 2000 mm, color: copper-colored

---

DIN rail, unperforated - NS 35/15-2,3 UNPERF 2000MM - 1201798



DIN rail, unperforated, Standard profile 2.3 mm, width: 35 mm, height: 15 mm, acc. to EN 60715, material: Steel, galvanized, passivated with a thick layer, length: 2000 mm, color: silver

---

## Solid-state relay module - PLC-OSP-120UC/ 48DC/100 - 2967552

### Accessories

DIN rail, unperforated - NS 35/15 AL UNPERF 2000MM - 1201756



DIN rail, unperforated, Standard profile, width: 35 mm, height: 15 mm, similar to EN 60715, material: Aluminum, uncoated, length: 2000 mm, color: silver

DIN rail perforated - NS 35/15 PERF 2000MM - 1201730



DIN rail perforated, Standard profile, width: 35 mm, height: 15 mm, similar to EN 60715, material: Steel, galvanized, passivated with a thick layer, length: 2000 mm, color: silver

DIN rail, unperforated - NS 35/ 7,5 UNPERF 2000MM - 0801681



DIN rail, unperforated, Standard profile, width: 35 mm, height: 7.5 mm, acc. to EN 60715, material: Steel, galvanized, passivated with a thick layer, length: 2000 mm, color: silver

### Labeled terminal marker

Zack marker strip - ZB 6,LGS:FORTL.ZAHLEN - 1051016



Zack marker strip, Strip, white, labeled, can be labeled with: CMS-P1-PLOTTER, printed horizontally: consecutive numbers 1 ... 10, 11 ... 20, etc. up to 491 ... 500, mounting type: snap into tall marker groove, for terminal block width: 6.2 mm, lettering field size: 6.15 x 10.5 mm, Number of individual labels: 10

### Partition plate

Separating plate - PLC-ATP BK - 2966841



Separating plate, 2 mm thick, required at the start and end of a PLC terminal strip. Furthermore, it is used for: visual separation of groups, safe isolation of different voltages of neighboring PLC relays in acc. with DIN VDE 0106-101, isolation

## Solid-state relay module - PLC-OSP-120UC/ 48DC/100 - 2967552

### Accessories

---

#### Power module

Power terminal block - PLC-ESK GY - 2966508



Power terminal block, for the input of up to four potentials, for mounting on NS 35/7.5

---

#### Relay socket

Relay base - PLC-BSP-120UC/21 - 2967167



6.2 mm PLC basic terminal block with spring-cage connection, without relay or solid-state relay, for mounting on DIN rail NS 35/7,5, 1 PDT, input voltage 120 V AC/DC

---

#### Screwdriver tools

Screwdriver - SZF 1-0,6X3,5 - 1204517



Actuation tool, for ST terminal blocks, also suitable for use as a bladed screwdriver, size: 0.6 x 3.5 x 100 mm, 2-component grip, with non-slip grip

---

#### Single solid-state relay

Miniature solid-state relay - OPT-60DC/ 48DC/100 - 2966621



Plug-in miniature solid-state relay, input solid-state relay, 1 N/O contact, input: 60 V DC, output: 3 - 48 V DC/100 mA

---

#### Terminal marking

## Solid-state relay module - PLC-OSP-120UC/ 48DC/100 - 2967552

### Accessories

#### Zack marker strip - ZB 6:UNBEDRUCKT - 1051003



Zack marker strip, Strip, white, unlabeled, can be labeled with: PLOTMARK, CMS-P1-PLOTTER, mounting type: snap into tall marker groove, for terminal block width: 6.2 mm, lettering field size: 6.15 x 10.5 mm, Number of individual labels: 10

#### Marker for terminal blocks - UC-TM 6 - 0818085



Marker for terminal blocks, Sheet, white, unlabeled, can be labeled with: BLUEMARK ID COLOR, BLUEMARK ID, BLUEMARK CLED, PLOTMARK, CMS-P1-PLOTTER, mounting type: snap into tall marker groove, for terminal block width: 6.2 mm, lettering field size: 5.6 x 10.5 mm, Number of individual labels: 70

#### Marker for terminal blocks - UCT-TM 6 - 0828736



Marker for terminal blocks, Sheet, white, unlabeled, can be labeled with: TOPMARK NEO, TOPMARK LASER, BLUEMARK ID COLOR, BLUEMARK ID, BLUEMARK CLED, THERMOMARK PRIME, THERMOMARK CARD 2.0, THERMOMARK CARD, mounting type: snap into tall marker groove, for terminal block width: 6.2 mm, lettering field size: 5.6 x 10.5 mm, Number of individual labels: 60

### Spare parts

#### Relay base - PLC-BSP-120UC/21 - 2967167



6.2 mm PLC basic terminal block with spring-cage connection, without relay or solid-state relay, for mounting on DIN rail NS 35/7,5, 1 PDT, input voltage 120 V AC/DC

#### Miniature solid-state relay - OPT-60DC/ 48DC/100 - 2966621



Plug-in miniature solid-state relay, input solid-state relay, 1 N/O contact, input: 60 V DC, output: 3 - 48 V DC/100 mA

