

## Relay Module - PLC-2RSC-24DC/ 1 - 2987309

Please be informed that the data shown in this PDF Document is generated from our Online Catalog. Please find the complete data in the user's documentation. Our General Terms of Use for Downloads are valid (<http://phoenixcontact.com/download>)



PLC-INTERFACE with two independent relays, consisting of PLC-BSC.../21 basic terminal block with screw connection and two integrated relays, power contact, for mounting on DIN rail NS 35/7,5, 2 x 1 N/O contact, input voltage 24 V DC

### Product Features

- Two switching channels in one 6.2 mm housing
- 100% higher channel density than conventional 6.2 mm relays
- Integrated input circuit/protective circuit
- Safe isolation according to DIN EN 50178 between coil and contacts and between contacts
- Screw, spring-cage or Push-in connection



### Key Commercial Data

Packing unit	1 pc
Weight per Piece (excluding packing)	34.0 g
Custom tariff number	85364190
Country of origin	Germany

### Technical data

#### Note

Utilization restriction	EMC: class A product, see manufacturer's declaration in the download area
-------------------------	---

#### Dimensions

Width	6.2 mm
Height	80 mm
Depth	86 mm

#### Ambient conditions

Ambient temperature (operation)	-20 °C ... 60 °C
---------------------------------	------------------

# Relay Module - PLC-2RSC-24DC/ 1 - 2987309

## Technical data

### Ambient conditions

Ambient temperature (storage/transport)	-20 °C ... 60 °C
---	------------------

### Coil side

Nominal input voltage $U_N$	24 V DC
Typical input current at $U_N$	7 mA
Typical response time	4 ms
Typical release time	6 ms
Protective circuit	Reverse polarity protection Polarity protection diode
	Free-wheeling diode Damping diode
Operating voltage display	Yellow LED
Power dissipation for nominal condition	0.17 W

### Contact side

Contact type	2 N/O contacts (2 relays with 1 N/O contact)
Contact material	AgNi
Maximum switching voltage	250 V AC
	30 V DC
Minimum switching voltage	24 V AC/DC
Min. switching current	5 mA
Limiting continuous current	3.5 A
Interrupting rating (ohmic load) max.	84 W (at 24 V DC)
	24 W (at 48 V DC)
	24 W (at 60 V DC)
	31 W (at 110 V DC)
	46 W (at 220 V DC)
	875 VA (for 250 V AC)

### Connection data input side

Connection name	Coil side
Connection method	Screw connection
Stripping length	8 mm
Screw thread	M3
Conductor cross section solid	0.14 mm <sup>2</sup> ... 2.5 mm <sup>2</sup>
Conductor cross section flexible	0.14 mm <sup>2</sup> ... 2.5 mm <sup>2</sup>
Conductor cross section AWG	26 ... 14

### Connection data output side

Connection name	Contact side
Connection method	Screw connection

## Relay Module - PLC-2RSC-24DC/ 1 - 2987309

### Technical data

#### Connection data output side

Stripping length	8 mm
Screw thread	M3
Conductor cross section solid	0.14 mm <sup>2</sup> ... 2.5 mm <sup>2</sup>
Conductor cross section flexible	0.14 mm <sup>2</sup> ... 2.5 mm <sup>2</sup>
Conductor cross section AWG	26 ... 14

#### General

Test voltage relay winding/relay contact	3 kV AC (50 Hz, 1 min.)
Test voltage relay contact/relay contact	3 kV AC (50 Hz, 1 min.)
Operating mode	100% operating factor
Mechanical service life	2 x 10 <sup>7</sup> cycles
Flammability rating according to UL 94	V0
Designation	Air clearances and creepage distances between the power circuits
Standards/regulations	IEC 60664
	EN 50178
	IEC 62103
Rated surge voltage/insulation	4 kV / basic insulation
Rated insulation voltage	250 V AC
Degree of pollution	2
Overvoltage category	III
Mounting position	any
Assembly instructions	In rows with zero spacing

#### Standards and Regulations

Designation	Air clearances and creepage distances between the power circuits
Standards/regulations	IEC 60664
	EN 50178
	IEC 62103
Rated insulation voltage	250 V AC
Rated surge voltage/insulation	4 kV / basic insulation
Degree of pollution	2
Overvoltage category	III
Flammability rating according to UL 94	V0

### Classifications

eCl@ss

eCl@ss 4.0	27371102
------------	----------

# Relay Module - PLC-2RSC-24DC/ 1 - 2987309

## Classifications

### eCl@ss

eCl@ss 4.1	27371102
eCl@ss 5.0	27371001
eCl@ss 5.1	27371001
eCl@ss 6.0	27371001
eCl@ss 7.0	27371001
eCl@ss 8.0	27371601
eCl@ss 9.0	27371601

### ETIM

ETIM 2.0	EC000196
ETIM 3.0	EC000196
ETIM 4.0	EC000196
ETIM 5.0	EC001437

### UNSPSC

UNSPSC 6.01	30211916
UNSPSC 7.0901	39121515
UNSPSC 11	39121515
UNSPSC 12.01	39121515
UNSPSC 13.2	39121515

## Approvals

### Approvals

---

Approvals

EAC / EAC

---

Ex Approvals

---

Approvals submitted

---

### Approval details

EAC
-----

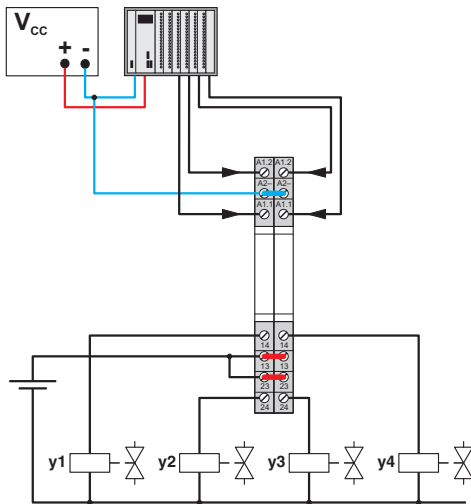
# Relay Module - PLC-2RSC-24DC/ 1 - 2987309

## Approvals

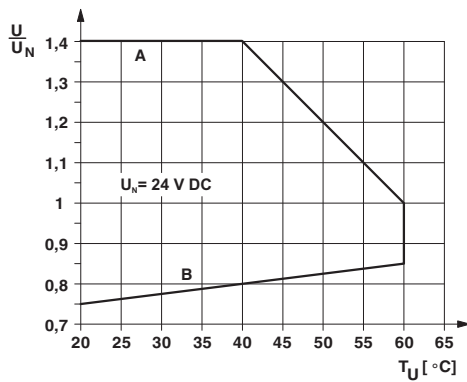
EAC

## Drawings

Application drawing

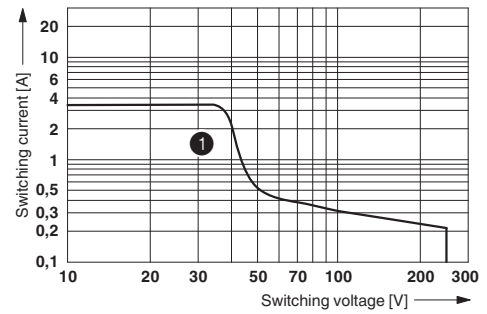


Diagram



Operating voltage range

Diagram



① DC, ohmic load

Interrupting rating

Circuit diagram

