

Female test connector - PSBJ 3/44/6 GY - 3206199


Please be informed that the data shown in this PDF Document is generated from our Online Catalog. Please find the complete data in the user's documentation. Our General Terms of Use for Downloads are valid (<http://phoenixcontact.com/download>)



Female test connector, color: gray



Key Commercial Data

Packing unit	1 pc
Minimum order quantity	10 pc
GTIN	 4 017918 902445
GTIN	4017918902445
Weight per Piece (excluding packing)	5.280 g
Custom tariff number	85366990
Country of origin	Poland

Technical data

Dimensions

Length	5 mm
Width	5 mm
Screw thread	M3

General

Color	gray
Tightening torque, min	0.5 Nm
Tightening torque max	0.6 Nm

Environmental Product Compliance

REACH SVHC	Lead 7439-92-1
------------	----------------

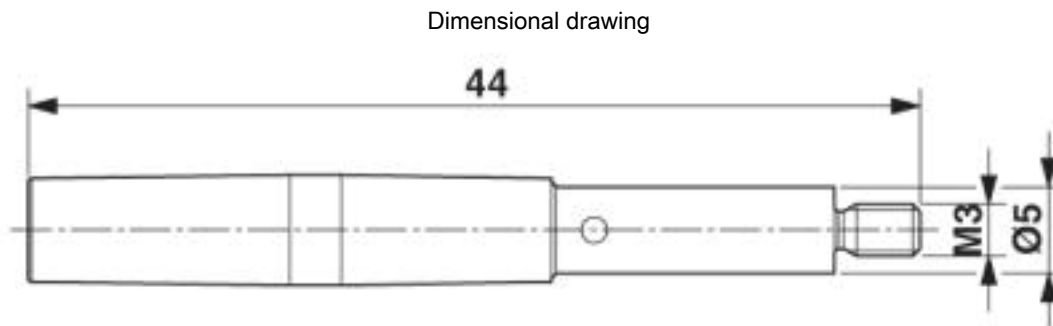
Female test connector - PSBJ 3/44/6 GY - 3206199

Technical data

Environmental Product Compliance

China RoHS	Environmentally Friendly Use Period = 50 years
	For details about hazardous substances go to tab "Downloads", Category "Manufacturer's declaration"

Drawings



Classifications

eCl@ss

eCl@ss 10.0.1	27440313
eCl@ss 4.0	27141100
eCl@ss 4.1	27141100
eCl@ss 5.0	27141100
eCl@ss 5.1	27141100
eCl@ss 6.0	27141100
eCl@ss 7.0	27440313
eCl@ss 8.0	27440313
eCl@ss 9.0	27440313

ETIM

ETIM 2.0	EC000897
ETIM 3.0	EC000897
ETIM 4.0	EC002255
ETIM 5.0	EC002255
ETIM 6.0	EC002255
ETIM 7.0	EC002255

UNSPSC

UNSPSC 6.01	30211812
-------------	----------

Female test connector - PSBJ 3/44/6 GY - 3206199

Classifications

UNSPSC

UNSPSC 7.0901	39121410
UNSPSC 11	39121411
UNSPSC 12.01	39121411
UNSPSC 13.2	39121410
UNSPSC 18.0	39121410
UNSPSC 19.0	39121410
UNSPSC 20.0	39121410
UNSPSC 21.0	39121410