

Wireless elements - PSD-S WIN MA/UL - 2701664

Please be informed that the data shown in this PDF Document is generated from our Online Catalog. Please find the complete data in the user's documentation. Our General Terms of Use for Downloads are valid (<http://phoenixcontact.com/download>)



Master with antenna for the WIN signal tower wireless system, with USB interface, voltage supply via USB interface, software CD, USB cable (3 m), four rubber feet and material for wall mounting of the master

Why buy this product

- Existing signal towers can be extended without additional wiring
- Simultaneous detection of up to 50 wireless elements
- Can be operated parallel to other wireless applications
- Range of a wireless element with a free line of sight of up to 300 m
- Error messages can be sent via e-mail
- Repeater for increasing the range integrated in each wireless element

Key Commercial Data

Packing unit	1 STK
GTIN	 4 046356 801553

Technical data

Note

Trade restriction	The products are offered exclusively for export outside the EU and the European Economic Area.
-------------------	--

Dimensions

Height	188 mm
--------	--------

Ambient conditions

Ambient temperature (operation)	-20 °C ... 50 °C
Degree of protection	IP20

General

Material	Acrylonitrile butadiene styrene (ABS)
Color	black
Weight	106 g

Master

Interfaces	USB
------------	-----

Wireless elements - PSD-S WIN MA/UL - 2701664

Technical data

Master

Operating voltage	5 V DC (USB; only use USB cables with a maximum length of 3 m.)
Maximum inrush current	100 mA
Current consumption	max. 100 mA

Wireless interface

Modulation type	2 FSK
Frequency range	913 Hz ... 917 Hz
Frequency band	915 MHz ISM band
Transmission power	10 dBm (at 50 Ohm)
Range	300 m, maximum
Transmission speed	38.4 kbps (can be adjusted via WIN software)
	76.8 kbps (default)
Wireless modules that can be connected	up to 50 (2701565 PSD-S WIN SL/UL)

Approvals / conformities

Electromagnetic compatibility	Conforms with guidelines: FCC Part 15.249/IC: RSS-210 Issue 8, RSS-GEN Issue 4, RSS-102 Issue 4
-------------------------------	---

Standards and Regulations

Electromagnetic compatibility	Conforms with guidelines: FCC Part 15.249/IC: RSS-210 Issue 8, RSS-GEN Issue 4, RSS-102 Issue 4
-------------------------------	---

Classifications

eCl@ss

eCl@ss 4.0	27240208
eCl@ss 4.1	27240208
eCl@ss 5.0	27371214
eCl@ss 5.1	27371214
eCl@ss 6.0	27371214
eCl@ss 7.0	27371214
eCl@ss 8.0	27371230

ETIM

ETIM 3.0	EC001026
ETIM 4.0	EC001152
ETIM 5.0	EC001042

UNSPSC

UNSPSC 6.01	43172015
UNSPSC 7.0901	43201404
UNSPSC 11	39121311
UNSPSC 12.01	39121311

Wireless elements - PSD-S WIN MA/UL - 2701664

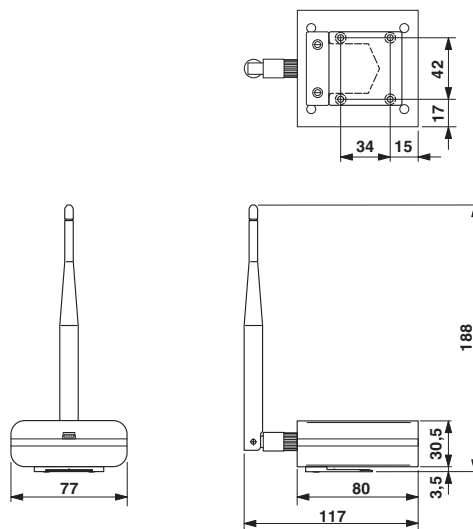
Classifications

UNSPSC

UNSPSC 13.2	39121311
-------------	----------

Drawings

Dimensional drawing



Phoenix Contact 2016 © - all rights reserved
<http://www.phoenixcontact.com>

PHOENIX CONTACT GmbH & Co. KG
Flachsmarktstr. 8
32825 Blomberg
Germany
Tel. +49 5235 300
Fax +49 5235 3 41200
<http://www.phoenixcontact.com>