

Electronic housing - ME 22,5 TBUS 1,5/ 5-ST-3,81 KMGY - 2713722

Please be informed that the data shown in this PDF Document is generated from our Online Catalog. Please find the complete data in the user's documentation. Our General Terms of Use for Downloads are valid (<http://phoenixcontact.com/download>)



Plug component, Nominal current: 8 A, Nominal current (Ex): 8 A, Nominal voltage (Ex): 125 V, Number of positions: 5, Pitch: 3.81 mm, Color: light gray, Contact surface: Gold, Articles with gold-plated contacts, bus connectors for connecting with electronic housings



Key Commercial Data

Packing unit	50 STK
GTIN	 4 017918 914516

Technical data

Dimensions

Pitch	3.81 mm
-------	---------

General

Rated voltage (III/3)	125 V
Nominal current I_N	8 A
Maximum load current	8 A
Flammability rating according to UL 94	V0
Color	light gray
Number of positions	5

Standards and Regulations

Connection in acc. with standard	CUL
Flammability rating according to UL 94	V0

Classifications

eCl@ss

eCl@ss 4.0	27180401
eCl@ss 4.1	27180401

Electronic housing - ME 22,5 TBUS 1,5/ 5-ST-3,81 KMGY - 2713722

Classifications

eCl@ss

eCl@ss 5.0	27180506
eCl@ss 5.1	27180506
eCl@ss 6.0	27180802
eCl@ss 7.0	27182702
eCl@ss 8.0	27440309

ETIM

ETIM 2.0	EC001031
ETIM 3.0	EC001031
ETIM 4.0	EC002638
ETIM 5.0	EC002638

UNSPSC

UNSPSC 6.01	31261501
UNSPSC 7.0901	31261501
UNSPSC 11	31261501
UNSPSC 12.01	31261501
UNSPSC 13.2	31261501

Approvals

Approvals

Approvals

UL Recognized / cUL Recognized / EAC / UL Recognized / cULus Recognized

Ex Approvals

Approvals submitted

Approval details

UL Recognized

Electronic housing - ME 22,5 TBUS 1,5/ 5-ST-3,81 KMGY - 2713722

Approvals

cUL Recognized		
	B	D
Nominal current I _N	8 A	8 A
Nominal voltage U _N	150 V	150 V

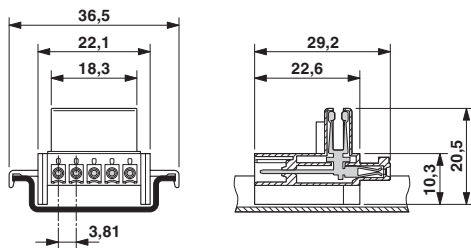
EAC

UL Recognized		
	B	D
Nominal current I _N	8 A	8 A
Nominal voltage U _N	150 V	150 V

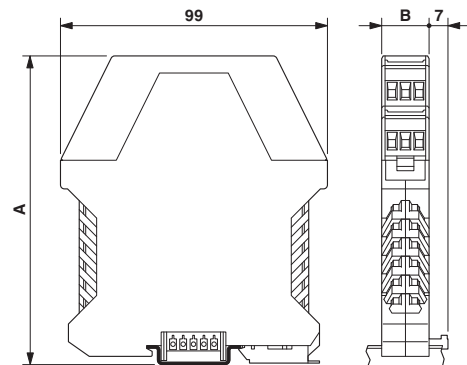
cULus Recognized		
------------------	--	--

Drawings

Dimensional drawing

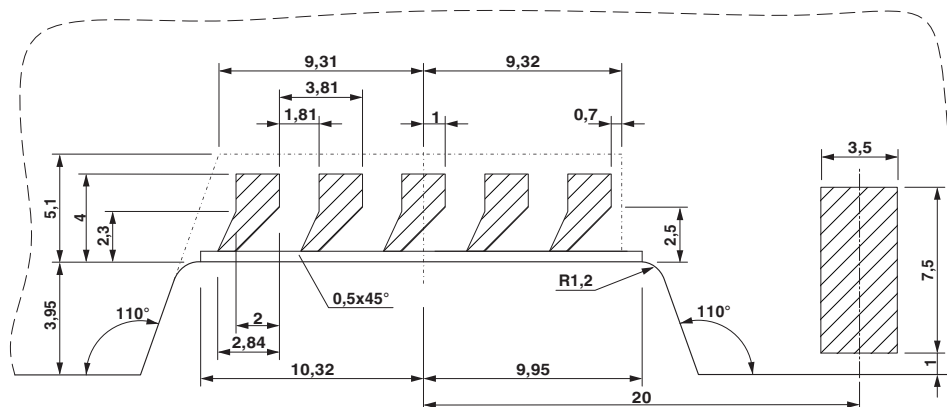


Dimensional drawing



Electronic housing - ME 22,5 TBUS 1,5/ 5-ST-3,81 KMGY - 2713722

Drilling diagram



Detailed dimensional drawing of the DIN rail connector contact pads

Dimensional drawing

