

Cable duct - CD 80X25 - 3240281

Please be informed that the data shown in this PDF Document is generated from our Online Catalog. Please find the complete data in the user's documentation. Our General Terms of Use for Downloads are valid (<http://phoenixcontact.com/download>)



Cable duct, gray, consisting of upper and lower part, width: 80 mm, height: 25 mm, length 2000 mm

Why buy this product

- Thanks to its leverage and special cutting geometry, the PPS CD cable duct cutter enables easy, burr-free cutting with minimum effort
- Easy, burr-free cutting with minimum effort using the CUTFOX-CD cable duct cutter
- Predetermined breaking point enables tool-free, burr-free removal of bars
- The wide, diagonal heads of the cable duct bars make it easy to fit the cover and hold it securely in place
- Installed conductors are securely held in place by means of wire retaining clips that can be snapped onto bars on the side
- Plastic body-bound rivets enable easy fixing of cable ducts using the rivet setting tool

Key Commercial Data

Packing unit	12 STK
GTIN	 4 046356 467063

Technical data

Dimensions

Length (b)	2000 mm
Width (a)	80 mm
Height	25 mm

Ambient conditions

Ambient temperature (operation)	-5 °C ... 60 °C
---------------------------------	-----------------

General

Color	gray
Components	Lead-free
Flammability rating according to UL 94	V0
Material	PVC

Standards and Regulations

Halogen-free	no
Connection in acc. with standard	CSA

Cable duct - CD 80X25 - 3240281

Technical data

Standards and Regulations

Flammability rating according to UL 94	V0
--	----

Classifications

eCl@ss

eCl@ss 4.0	27140602
eCl@ss 4.1	27140602
eCl@ss 5.0	27140602
eCl@ss 5.1	27140602
eCl@ss 6.0	27400703
eCl@ss 7.0	27400703
eCl@ss 8.0	27400703

ETIM

ETIM 2.0	EC000012
ETIM 3.0	EC000012
ETIM 4.0	EC000012
ETIM 5.0	EC000012

UNSPSC

UNSPSC 6.01	30101815
UNSPSC 7.0901	30101815
UNSPSC 11	30101815
UNSPSC 12.01	30101815
UNSPSC 13.2	30101815

Approvals

Approvals

Approvals

CSA / UL Recognized / VDE Zeichengenehmigung

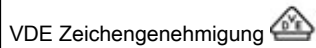
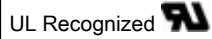
Ex Approvals

Approvals submitted

Approval details

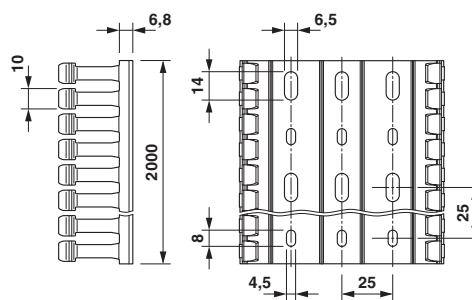
Cable duct - CD 80X25 - 3240281

Approvals



Drawings

Dimensional drawing



Base perforation according to DIN EN 50085

Phoenix Contact 2016 © - all rights reserved
<http://www.phoenixcontact.com>

PHOENIX CONTACT GmbH & Co. KG
Flachsmarktstr. 8
32825 Blomberg
Germany
Tel. +49 5235 300
Fax +49 5235 3 41200
<http://www.phoenixcontact.com>