

## Protocol converter - GW PL HART8+AI-BUS - 2702236


Please be informed that the data shown in this PDF Document is generated from our Online Catalog. Please find the complete data in the user's documentation. Our General Terms of Use for Downloads are valid (<http://phoenixcontact.com/download>)



Eight-channel HART<sup>®</sup> expansion module with analog loop supply and screw connection



### Key Commercial Data

Packing unit	1 STK
GTIN	 4 055626 067070
GTIN	4055626067070
Weight per Piece (excluding packing)	340.000 g
Custom tariff number	85176200
Country of origin	Germany

### Technical data

#### Dimensions

Width	45 mm
Height	99 mm
Depth	114.5 mm

#### Ambient conditions

Ambient temperature (operation)	-40 °C ... 70 °C
	-40 °F ... 158 °F
Ambient temperature (storage/transport)	-40 °C ... 85 °C
Degree of protection	IP20

#### General

Test voltage data interface/power supply	500 V AC
--	----------

# Protocol converter - GW PL HART8+AI-BUS - 2702236

## Technical data

### General

Electromagnetic compatibility	Conformance with EMC Directive 2004/108/EC
Mounting position	any
Assembly instructions	on standard DIN rail NS 35 in accordance with EN 60715
Net weight	342.4 g
Color	gray
MTBF	208 Years (Siemens model SN29500, temperature 40°C, env. factor 1.5 and stress factor 50%)
Conformance	#

### Power supply

Supply voltage range	19.2 V DC ... 30 V DC (supplied from the bus)
Max. current consumption	258 mA (at 24 V DC)
Typical current consumption	74 mA (24 V DC with no load)

### Serial interface

Interface 1	HART FSK
Interface	Analog
No. of ports	8
Connection method	Screw connection
Maximum output current	25 mA (per channel)

### Standards and Regulations

Electromagnetic compatibility	Conformance with EMC Directive 2004/108/EC
Conformance	#
Noxious gas test	ISA-S71.04-1985 G3 Harsh Group A
ATEX	# II 3 G Ex nA IIC T4 Gc DEMKO 17 ATEX 1749X
IECEX	IECEX ULD 17.0020X Ex nA IIC T4 Gc
UL, USA/Canada	Class I, Div. 2, Groups A, B, C, D

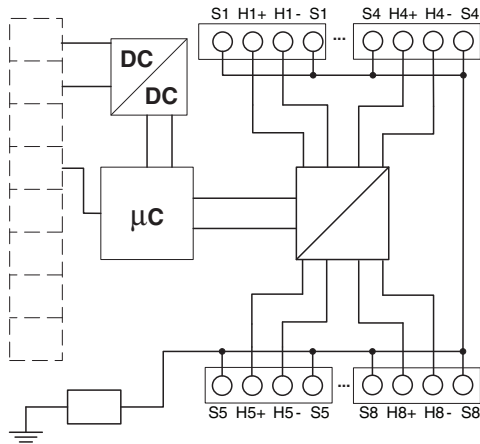
### Environmental Product Compliance

China RoHS	Environmentally Friendly Use Period = 50
	For details about hazardous substances go to tab "Downloads", Category "Manufacturer's declaration"

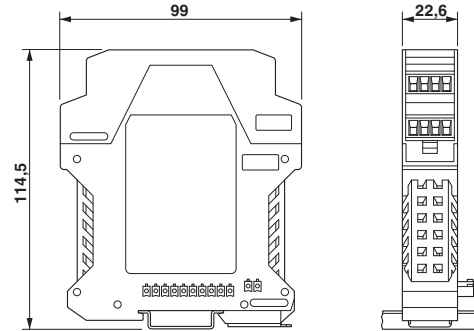
## Drawings

# Protocol converter - GW PL HART8+AI-BUS - 2702236

Block diagram



Dimensional drawing



## Classifications

eCl@ss

eCl@ss 7.0	27242208
eCl@ss 8.0	27242208
eCl@ss 9.0	27242208

ETIM

ETIM 5.0	EC001423
ETIM 6.0	EC001423

## Approvals

Approvals

Approvals

UL Listed / cUL Listed / cULus Listed

Ex Approvals

UL Listed / cUL Listed / cULus Listed

## Approval details

## Protocol converter - GW PL HART8+AI-BUS - 2702236

### Approvals

UL Listed		<a href="http://database.ul.com/cgi-bin/XYV/template/LISEXT/1FRAME/index.htm">http://database.ul.com/cgi-bin/XYV/template/LISEXT/1FRAME/index.htm</a>	FILE E 238705
-----------	--	---	---------------

cUL Listed		<a href="http://database.ul.com/cgi-bin/XYV/template/LISEXT/1FRAME/index.htm">http://database.ul.com/cgi-bin/XYV/template/LISEXT/1FRAME/index.htm</a>	FILE E 238705
------------	--	---	---------------

cULus Listed			
--------------	--	--	--

### Accessories

#### Accessories

#### Gateways/Proxies

##### Ethernet HART multiplexer - GW PL ETH/UNI-BUS - 2702233



Modular gateway Ethernet head station with Modbus TCP, PROFINET, HART IP, FDT/DTM. Supports five expansion modules.

##### Ethernet HART multiplexer - GW PL ETH/BASIC-BUS - 2702321



Modular gateway Ethernet head station with Modbus TCP, HART IP, FDT/DTM. Supports five expansion modules.

#### I/O component

##### Protocol converter - GW PL HART4-BUS - 2702234



Four-channel HART<sup>®</sup> expansion module, with screw connection

## Protocol converter - GW PL HART8+AI-BUS - 2702236

### Accessories

---

#### Protocol converter - GW PL HART8-BUS - 2702235



Eight-channel HART<sup>®</sup> expansion module, with screw connection

---

#### Protocol converter - GW PL DIO4-BUS - 2702237



Four-channel digital input and four-channel digital output module with screw connection

---

#### Protocol converter - GW PL HART4-R-BUS - 2702879



Four-channel HART<sup>®</sup> expansion module, with screw connection, with 250  $\Omega$  internal input resistors

---

#### Protocol converter - GW PL HART8-R-BUS - 2702880



Eight-channel HART<sup>®</sup> expansion module, with screw connection, with 250  $\Omega$  internal input resistors

---

### Necessary add-on products

#### Ethernet HART multiplexer - GW PL ETH/UNI-BUS - 2702233



Modular gateway Ethernet head station with Modbus TCP, PROFINET, HART IP, FDT/DTM. Supports five expansion modules.

---

## Protocol converter - GW PL HART8+AI-BUS - 2702236

### Accessories

Ethernet HART multiplexer - GW PL ETH/BASIC-BUS - 2702321



Modular gateway Ethernet head station with Modbus TCP, HART IP, FDT/DTM. Supports five expansion modules.