

# Electronic housing - ECS-B-122X109-L-UV-NV GY - 1054705

Please be informed that the data shown in this PDF Document is generated from our Online Catalog. Please find the complete data in the user's documentation. Our General Terms of Use for Downloads are valid (<http://phoenixcontact.com/download>)

Snap-in locking non-vented enclosure of the ECS family. IP66/67/69 rated when mated with associated faceplate. Color: Grey (7042), Width: 172 mm, Height: 116 mm, Depth: 64 mm



## Your advantages

- Part of the EnviroCase System
- Suitable for outdoor/indoor applications
- IP66/IP67 rated with faceplate secured to the base
- Wall, panel, or pole mounting options
- Toolless assembly



## Key Commercial Data

Packing unit	5 pc
Minimum order quantity	5 pc
GTIN	
GTIN	4055626691206

## Technical data

### Item properties

Type	ECS-B-122X109-L-UV-NV GY
Order No.	1054705
Housing type	outdoor housings
Type	Snap-in locking
Max. NEMA code to attain	6
Impact strength	IK08
Mounting type	Wall or panel mount. Pole mount with accessory.
Type of locking	Snap-in locking

### Measurements

Width [ w ]	172 mm
-------------	--------

# Electronic housing - ECS-B-122X109-L-UV-NV GY - 1054705

## Technical data

### Measurements

Height [ h ]	116 mm
Depth [ d ]	64 mm

### Material specifications

Color (RAL)	gray (7042)
Flammability rating according to UL 94	V0
Housing material	PC (polycarbonate)

### Ambient conditions

Ambient temperature (storage/transport)	-40 °C ... 100 °C
Ambient temperature (operation)	-40 °C ... 100 °C

### PCB data

Number of PCB holders	1
PCB thickness	1.59 mm ... 2.36 mm

### Power dissipation, single housing at 20°C

Ambient temperature	20 °C
Reduction factor	1
Mounting position	vertical
Power dissipation	19 W

### Salt mist

Test duration	96 h
---------------	------

### Packaging information

Pieces per package	5
Denomination packing units	Pcs.

### Standards and regulations

Flammability rating according to UL 94	V0
--	----

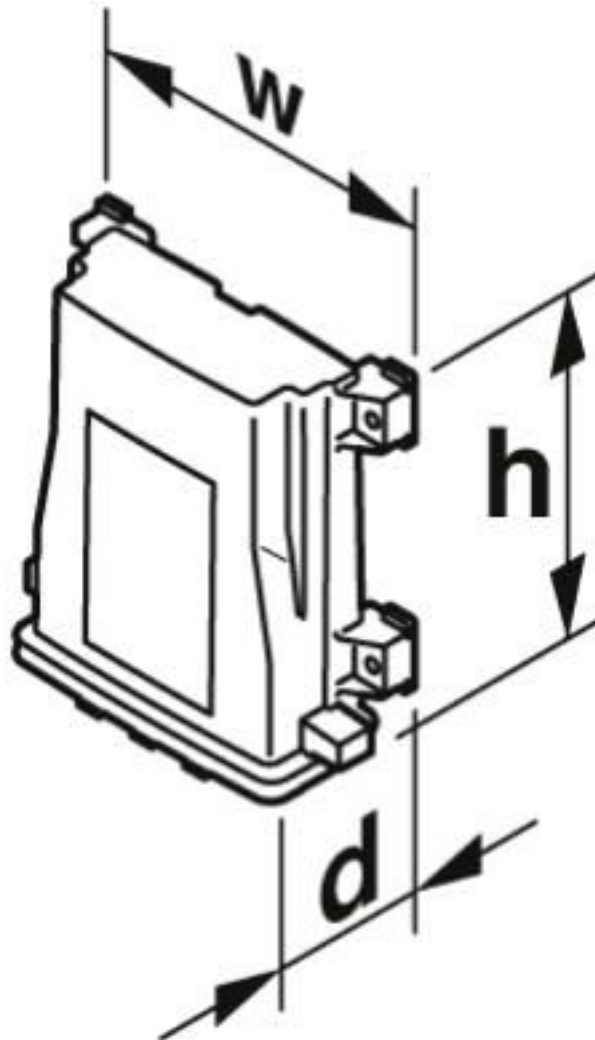
### Environmental Product Compliance

China RoHS	Environmentally friendly use period: unlimited = EFUP-e
	No hazardous substances above threshold values

## Drawings

# Electronic housing - ECS-B-122X109-L-UV-NV GY - 1054705

Dimensional drawing



## Classifications

eCl@ss

eCl@ss 10.0.1	27182702
eCl@ss 11.0	27182702
eCl@ss 4.0	27180401
eCl@ss 4.1	27180401
eCl@ss 5.0	27180505
eCl@ss 5.1	27180505
eCl@ss 6.0	27180800
eCl@ss 7.0	27182702
eCl@ss 8.0	27182702
eCl@ss 9.0	27182702

# Electronic housing - ECS-B-122X109-L-UV-NV GY - 1054705

## Classifications

### ETIM

ETIM 3.0	EC001031
ETIM 4.0	EC001031
ETIM 5.0	EC000058
ETIM 6.0	EC001031
ETIM 7.0	EC001031

### UNSPSC

UNSPSC 6.01	31261501
UNSPSC 7.0901	31261501
UNSPSC 11	31261501
UNSPSC 12.01	31261501
UNSPSC 13.2	31261501
UNSPSC 18.0	31261501
UNSPSC 19.0	31261501
UNSPSC 20.0	31261501
UNSPSC 21.0	31261501

## Accessories

### Additional products

Front plate - ECS-P-122X169-L-UV-B GY - 1050386

Snap-in locking blank faceplate of the ECS Family. IP66/67/69 rated when mated with associated enclosure. Color: Grey (7042), Width: 196 mm, Height: 34 mm, Depth: 62 mm



Front plate - ECS-P-122X169-L-UV-1M12 GY - 1050385

Snap-in locking one female M12 faceplate of the ECS Family. IP66/67/69 rated when mated with associated enclosure. Color: Grey (7042), Width: 196 mm, Height: 34 mm, Depth: 62 mm



Front plate - ECS-P-122X169-L-UV-2M12 GY - 1050384

Snap-in locking two female M12 faceplate of the ECS Family. IP66/67/69 rated when mated with associated enclosure. Color: Grey (7042), Width: 196 mm, Height: 34 mm, Depth: 62 mm



## Electronic housing - ECS-B-122X109-L-UV-NV GY - 1054705

### Accessories

Front plate - ECS-P-122X169-L-UV-CG GY - 1050383

Snap-in locking cable gland faceplate of the ECS Family. IP66/67/69 rated when mated with associated enclosure.  
Color: Grey (7042), Width: 196 mm, Height: 34 mm, Depth: 62 mm



---

Safety clip - ECS-BL - 2230012

Clip to prevent PCB from dropping from base when faceplate is removed.



---

Mounting brackets - ECS-PM - 2230013

Mounting set for mast mounting



---

Phoenix Contact 2020 © - all rights reserved  
<http://www.phoenixcontact.com>

PHOENIX CONTACT GmbH & Co. KG  
Flachsmarktstr. 8  
32825 Blomberg  
Germany  
Tel. +49 5235 300  
Fax +49 5235 3 41200  
<http://www.phoenixcontact.com>