



Extract from the online catalog

# SACC-E-M12MS-8CON-M16/0,5 P

Order No.: 1436424



<http://eshop.phoenixcontact.de/phoenix/treeViewClick.do?UID=1436424>

Sensor/Actuator flush-type connector, male, 8-pos., M12, A-coded, front/screw mounting with M16 thread, with 0.5 m TPE litz wire, 8 x 0.25 mm<sup>2</sup>

Commercial data	
EAN	4046356438377
Pack	1 pcs.
Customs tariff	85444290
Weight/Piece	0.0229 KG
Catalog page information	Page 37 (PC-2009)

#### Product notes

WEEE/RoHS-compliant since:  
08/04/2008



<http://www.download.phoenixcontact.com>  
Please note that the data given here has been taken from the online catalog. For comprehensive information and data, please refer to the user documentation. The General Terms and Conditions of Use apply to Internet downloads.

## Technical data

General data	
Nominal current I <sub>N</sub>	2 A
Nominal voltage U <sub>N</sub>	30 V
Number of positions	8
Volume resistance	≤ 3 mΩ

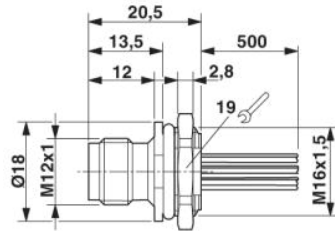
SACC-E-M12MS-8CON-M16/0,5 P Order No.: 1436424  
<http://eshop.phoenixcontact.de/phoenix/treeViewClick.do?UID=1436424>

Insulation resistance	≥ 100 MΩ
Length of cable	0.5 m
<b>General characteristics</b>	
Coding	A - standard
Surge voltage category	II
Pollution degree	3
Degree of protection	IP67
Contact material	CuZn
Contact surface material	Au
Contact carrier material	PA 66
Material, knurls	PA 66
Sealing material	Viton
Mounting type	Front mounting M16 x 1.5
Type of connection	Individual wires
Status display	No
<b>Conductor data</b>	
Cable type	TPE litz wire
Conductor cross section	0.25 mm <sup>2</sup>
AWG signal line	24
Conductor structure, signal line	14x 0.15 mm
Core diameter including insulation	1.15 mm ±0.07 mm
Thickness, insulation	0.21 mm
Wire colors	Brown, blue, white, gray, pink, green, yellow, red
Insulation resistance	≥ 20 MΩ*km
Conductor resistance	≤ 80 mΩ/m
Nominal voltage, conductor	300 V
Test voltage, conductor	2000 V AC
Material conductor insulation	TPE
Conductor material	Tin-plated Cu litz wires
Ambient temperature (operation)	-25 °C ... 90 °C (cable, fixed installation)

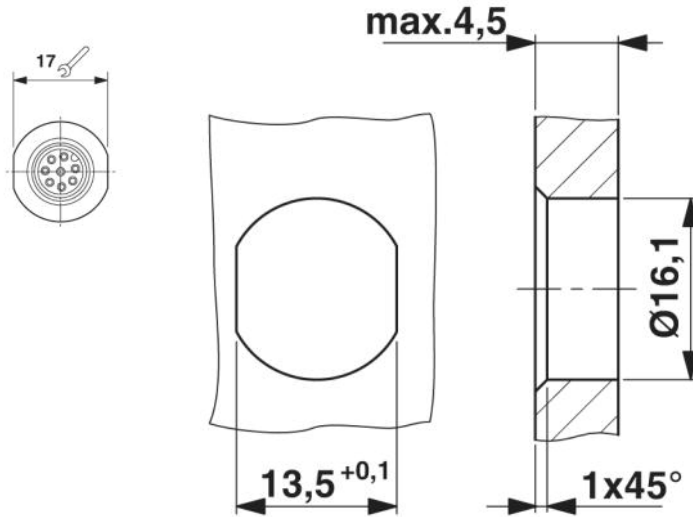
SACC-E-M12MS-8CON-M16/0,5 P Order No.: 1436424  
<http://eshop.phoenixcontact.de/phoenix/treeViewClick.do?UID=1436424>

Diagrams/Drawings

Dimensioned drawing



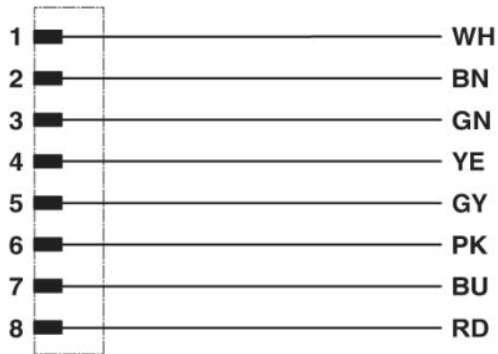
M12 flush-type connector



Housing cutout for M12 fastening thread,  
 mounting panel with feed-through hole  
 (alternative with surface as protection against  
 rotation)

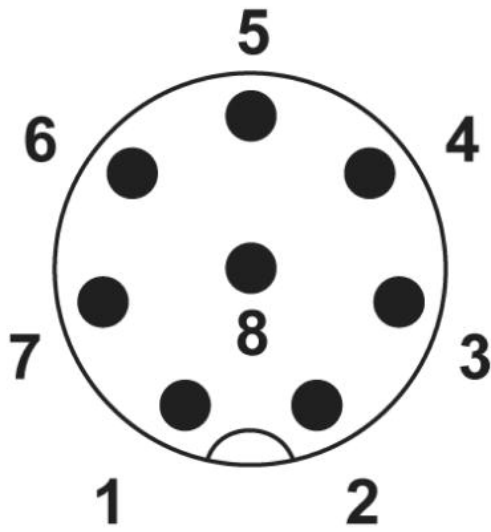
Circuit diagram

Contact assignment of the M12 plug



Schematic diagram

Pin assignment M12 socket, 8-pos., A-coded, view female side



onlinecomponents.com

SACC-E-M12MS-8CON-M16/0,5 P Order No.: 1436424  
<http://eshop.phoenixcontact.de/phoenix/treeViewClick.do?UID=1436424>

---

**Address**

PHOENIX CONTACT Deutschland GmbH  
Flachmarktstr. 8  
32825 Blomberg, Germany  
Phone +49 5235 3 12000  
Fax +49 5235 3 41200  
<http://www.phoenixcontact.de>



© 2010 Phoenix Contact  
Technical modifications reserved;

onlinecomponents.com