



Extract from the online catalog

SAC-3P- 3,0-PUR/M 8FR-2L

Order No.: 1671072



<http://eshop.phoenixcontact.de/phoenix/treeViewClick.do?UID=1671072>

Sensor/Actuator cable, 3-position, PUR, halogen-free, Black-gray RAL 7021, Free conductor end, on Socket, angled M8, Cable length: 3 m

Commercial data	
EAN	4017918134921
Pack	1 pcs.
Customs tariff	85444290
Weight/Piece	0.0745 KG
Catalog page information	Page 74 (PC-2009)

Product notes

WEEE/RoHS-compliant since:
11/06/2006



<http://www.download.phoenixcontact.com>
Please note that the data given here has been taken from the online catalog. For comprehensive information and data, please refer to the user documentation. The General Terms and Conditions of Use apply to Internet downloads.

Technical data

General data	
Nominal current I_N	4 A
Nominal voltage U_N	24 V
Number of positions	3
Volume resistance	$\leq 5 \text{ m}\Omega$
Insulation resistance	$\geq 100 \text{ M}\Omega$

SAC-3P- 3,0-PUR/M 8FR-2L Order No.: 1671072
<http://eshop.phoenixcontact.de/phoenix/treeViewClick.do?UID=1671072>

Length of cable	3 m
Stripping length of the free conductor end	50 mm
Ambient temperature (operation)	-25 °C ... 90 °C (plug/socket)

General characteristics

Coding	A - standard
Surge voltage category	II
Pollution degree	3
Degree of protection	IP65/IP68/IP69K
Contact material	CuSn
Contact surface material	Ni/Au
Contact carrier material	TPU GF
Material of grip body	TPU, hardly inflammable, self-extinguishing
Material, knurls	Zinc die-cast, (nickel-plated)
Sealing material	NBR
Status display	2 LEDs

Conductor data

Cable type	PUR halogen-free black
Cable type (abbreviation)	PUR
Cable abbreviation	Li9Y11Y-HF
Conductor cross section	0.25 mm ²
AWG signal line	24
Conductor structure, signal line	32 x 0.10 mm
Core diameter including insulation	1.15 mm ±0.05 mm
Thickness, insulation	≥ 0.38 mm (Core insulation)
External cable diameter	4.40 mm
Wire colors	Brown, blue, black
External sheath, color	Black-gray RAL 7021
Insulation resistance	≥ 100 GΩ*km
Conductor resistance	≤ 77.6 MΩ/km
Nominal voltage, conductor	300 V
Test voltage, conductor	4000 V
Overall twist	3 wires, twisted
Outer sheath, material	PUR
Material conductor insulation	PP

SAC-3P- 3,0-PUR/M 8FR-2L Order No.: 1671072
http://eshop.phoenixcontact.de/phoenix/treeViewClick.do?UID=1671072

Conductor material	Bare Cu litz wires
Cable weight	23 kg/km
Smallest bending radius, movable installation	44 mm
Number of bending cycles	4000000
Bending radius	44 mm
Traversing path	10 m
Traversing rate	3 m/s
Acceleration	10 m/s ²
Ambient temperature (operation)	-40 °C ... 80 °C (cable, fixed installation) -5 °C ... 80 °C (cable, flexible installation)
Special properties	Flexible cable conduit capable Silicone-free Free of substances which would hinder coating with paint or varnish
Flame resistance	As per UL-Style 20549
Freedom from halogen	As per DIN VDE 0472 part 815
Resistance to oil	complying with DIN EN 60811-2-1
Other resistance	Highly resistant to acids, alkaline solutions and solvents hydrolysis and microbe resistant

Certificates / Approvals



Certification

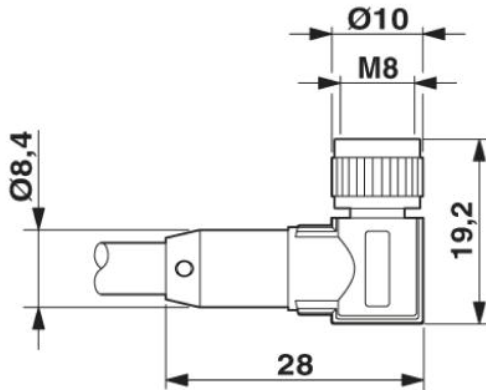
CUL Listed, GOST, UL Listed

SAC-3P- 3,0-PUR/M 8FR-2L Order No.: 1671072
<http://eshop.phoenixcontact.de/phoenix/treeViewClick.do?UID=1671072>

Diagrams/Drawings

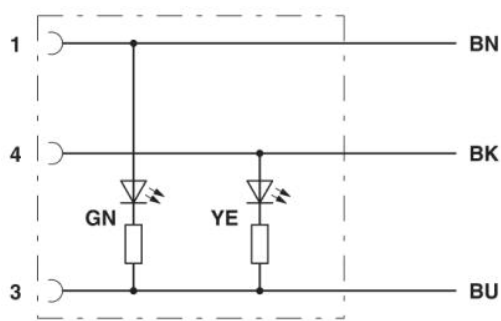
Dimensioned drawing

Socket M8 x 1, angled, with LED



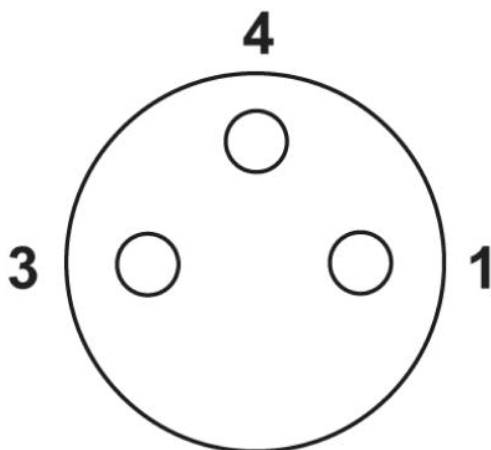
Circuit diagram

Contact assignment of M8 socket with 2 LEDs



Schematic diagram

Pin assignment M8 socket, 3-pos., view female side



SAC-3P- 3,0-PUR/M 8FR-2L Order No.: 1671072
<http://eshop.phoenixcontact.de/phoenix/treeViewClick.do?UID=1671072>

Address

PHOENIX CONTACT Deutschland GmbH
Flachsmarktstr. 8
32825 Blomberg, Germany
Phone +49 5235 3 12000
Fax +49 5235 3 41200
<http://www.phoenixcontact.de>



© 2010 Phoenix Contact
Technical modifications reserved;

onlinecomponents.com