



Extract from the online catalog

ST-OV3- 24DC/ 60DC/3

Order No.: 2903228

The illustration shows version ST-OV 3- 5 DC/60 DC/3



<http://eshop.phoenixcontact.de/phoenix/treeViewClick.do?UID=2903228>

Pluggable power optocoupler, with light indicator and protection circuits in the input and output circuits, input: 24 V DC, output: 12-60 V DC/max. 3 A, can be plugged on basic termination blocks

Commercial data	
EAN	4017918079000
Pack	10 pcs.
Customs tariff	85364190
Weight/Piece	0.056452 KG
Catalog page information	Page 92 (IF-2005)

Product notes

WEEE/RoHS-compliant since:
05/16/2006



<http://www.download.phoenixcontact.com>
Please note that the data given here has been taken from the online catalog. For comprehensive information and data, please refer to the user documentation. The General Terms and Conditions of Use apply to Internet downloads.

Technical data

Input data

Nominal input voltage U_N	24 V DC ± 20 %
-----------------------------	--------------------

ST-OV3- 24DC/ 60DC/3 Order No.: 2903228
http://eshop.phoenixcontact.de/phoenix/treeViewClick.do?UID=2903228

Switching threshold "0" signal in reference to U_N	≤ 0.4
Switching threshold "1" signal in reference to U_N	≥ 0.8
Typical input current at U_N	7 mA
Typical response time	20 μ s
Typical turn-off time	200 μ s
Transmission frequency	500 Hz

Output data

Output nominal voltage range	12 V DC ... 60 V DC
Limiting continuous current	3 A
Surge current	5 A (t = 1 s)
Peak offstate voltage	70 V DC (Collector-emitter reverse voltage)
Voltage drop at max. limiting continuous current	1.2 V
Output circuit	2-conductor floating
Name of protection	Polarity protection Surge protection
Protective circuit/component	Polarity protection diode

General data

Width	20.8 mm
Height	66.5 mm
Depth	33 mm
Test voltage input/output	2.5 kV AC
Ambient temperature (operation)	-20 °C ... 60 °C
Ambient temperature (storage/transport)	-20 °C ... 70 °C
Mounting position	Any
Standards/regulations	IEC 60664 IEC 60664 A DIN VDE 0110

Certificates / Approvals

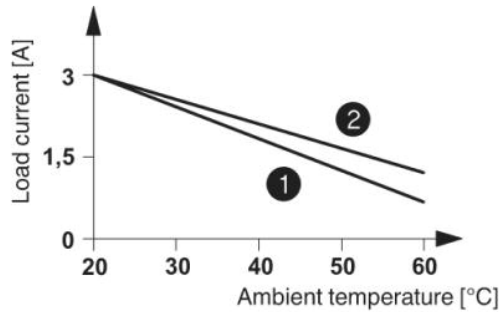


Certification

GOST

Drawings

Diagram

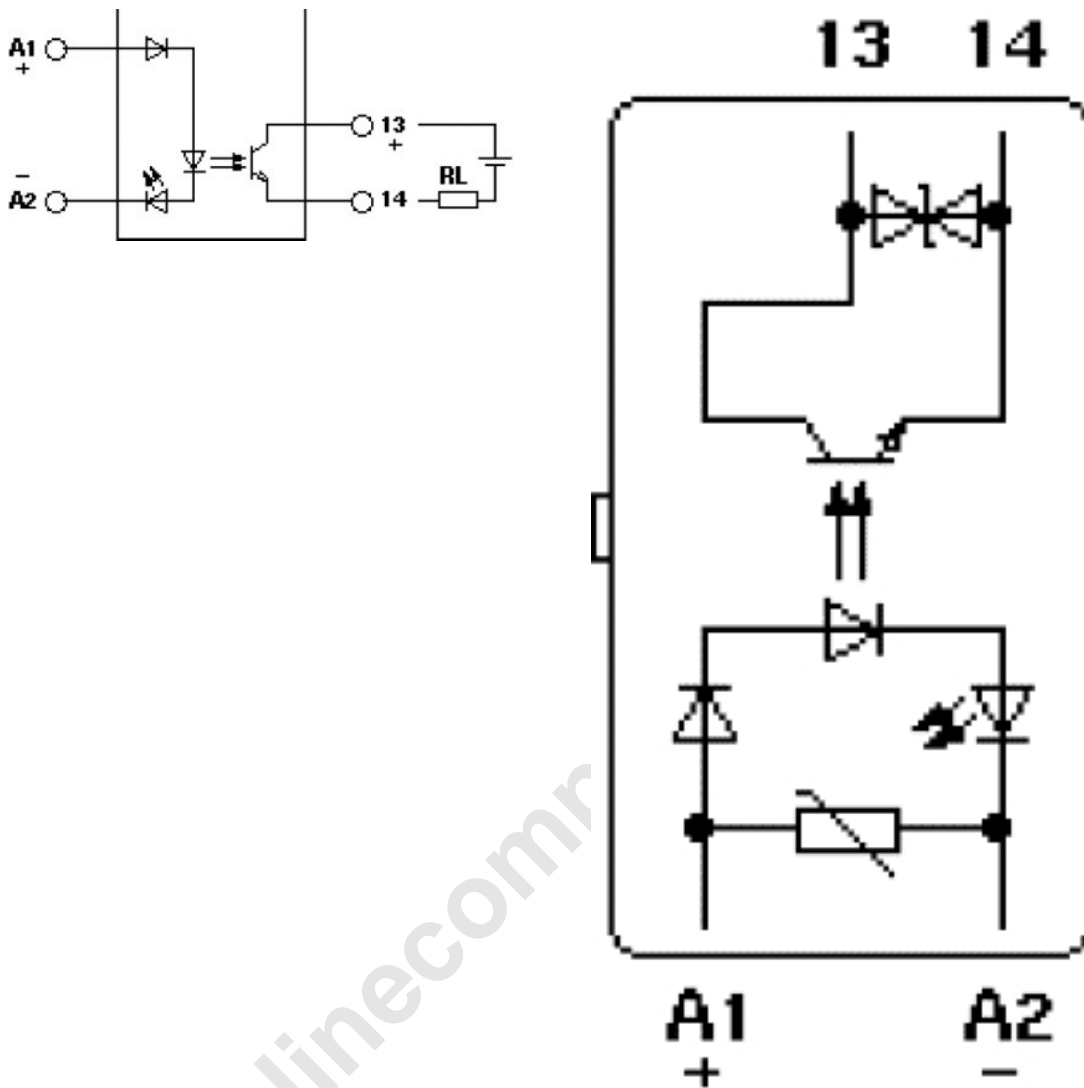


- ① In rows with zero spacing
- ② stand-alone device

onlinecomponents.com

ST-OV3- 24DC/ 60DC/3 Order No.: 2903228
<http://eshop.phoenixcontact.de/phoenix/treeViewClick.do?UID=2903228>

Circuit diagram



ST-OV3- 24DC/ 60DC/3 Order No.: 2903228
<http://eshop.phoenixcontact.de/phoenix/treeViewClick.do?UID=2903228>

Address

PHOENIX CONTACT GmbH & Co. KG
Flachsmarktstr. 8
32825 Blomberg, Germany
Phone +49 5235 3 00
Fax +49 5235 3 41200
<http://www.phoenixcontact.de>



© 2009 Phoenix Contact
Technical modifications reserved;

onlinecomponents.com