



Extract from the online catalog

PLC-OSC- 48DC/ 24DC/ 2

Order No.: 2967002

The illustration shows the version PLC-BSC- 24DC/21



<http://eshop.phoenixcontact.de/phoenix/treeViewClick.do?UID=2967002>

PLC interface, consisting of base terminal block PLC-BSC with screw connection and pluggable miniature optocoupler, for mounting on DIN rail NS 35/7.5, input: 48 V DC, output: 3-33 V DC/ 3 A

Commercial data	
EAN	4017918165857
Pack	10 pcs.
Customs tariff	85364190
Weight/Piece	0.03333 KG
Catalog page information	Page 79 (IF-2009)

Product notes

WEEE/RoHS-compliant since:
04/07/2006



<http://www.download.phoenixcontact.com>
Please note that the data given here has been taken from the online catalog. For comprehensive information and data, please refer to the user documentation. The General Terms and Conditions of Use apply to Internet downloads.

Technical data

Input data	
Nominal input voltage U_N	48 V DC
Input voltage range in reference to U_N	0.8 ... 1.2
Switching threshold "0" signal in reference to U_N	≤ 0.4

PLC-OSC- 48DC/ 24DC/ 2 Order No.: 2967002
http://eshop.phoenixcontact.de/phoenix/treeViewClick.do?UID=2967002

Switching threshold "1" signal in reference to U_N	≥ 0.8
Typical input current at U_N	9 mA
Typical response time	30 μ s (at U_N)
Typical turn-off time	300 μ s (at U_N)
Operating voltage display	Yellow LED
Name of protection	Polarity protection
	Free-wheeling diode
Protective circuit/component	Polarity protection diode
	Damping diode
Transmission frequency	300 Hz

Output data

Output nominal voltage range	3 V DC ... 33 V DC
Limiting continuous current	3 A
Maximum inrush current	15 A (10 ms)
Voltage drop at max. limiting continuous current	≤ 200 mV
Output circuit	2-conductor floating
Name of protection	Polarity protection
	Surge protection
Protective circuit/component	Polarity protection diode

Connection data

Type of connection	Screw connection
Stripping length	8 mm
Screw thread	M3
Conductor cross section solid min.	0.14 mm ²
Conductor cross section solid max.	2.5 mm ²
Conductor cross section stranded min.	0.14 mm ²
Conductor cross section stranded max.	2.5 mm ²
Conductor cross section AWG/kcmil min.	26
Conductor cross section AWG/kcmil max	14

General data

Width	6.2 mm
Height	94 mm
Depth	80 mm
Ambient temperature (operation)	-25 °C ... 60 °C

PLC-OSC- 48DC/ 24DC/ 2 Order No.: 2967002
http://eshop.phoenixcontact.de/phoenix/treeViewClick.do?UID=2967002

Ambient temperature (storage/transport)	-40 °C ... 85 °C
Mounting position	Any
Assembly instructions	In rows with zero spacing
Operating mode	100% operating factor
Inflammability class in acc. with UL 94 (housing)	V0
Pollution degree	2
Surge voltage category	III

Certificates / Approvals

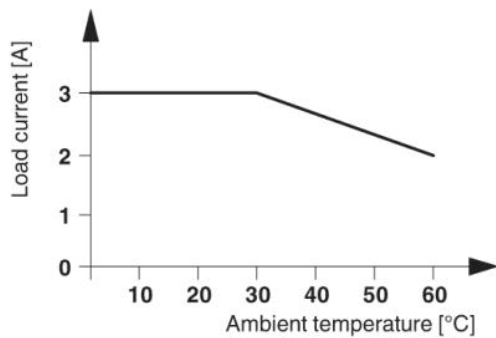


Certification

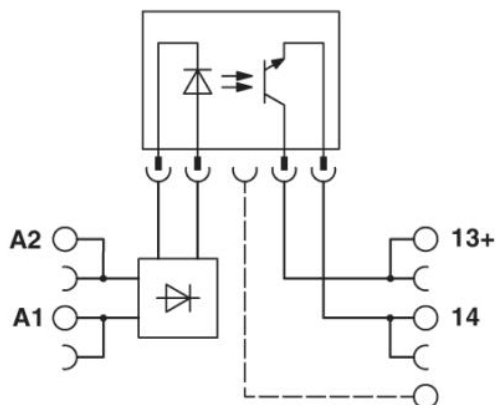
CUL, CUL Listed, GL, GOST, UL, UL Listed

Drawings

Diagram



Circuit diagram



PLC-OSC- 48DC/ 24DC/ 2 Order No.: 2967002
<http://eshop.phoenixcontact.de/phoenix/treeViewClick.do?UID=2967002>

Address

PHOENIX CONTACT GmbH & Co. KG
Flachsmarktstr. 8
32825 Blomberg, Germany
Phone +49 5235 3 00
Fax +49 5235 3 41200
<http://www.phoenixcontact.de>



© 2009 Phoenix Contact
Technical modifications reserved;

onlinecomponents.com