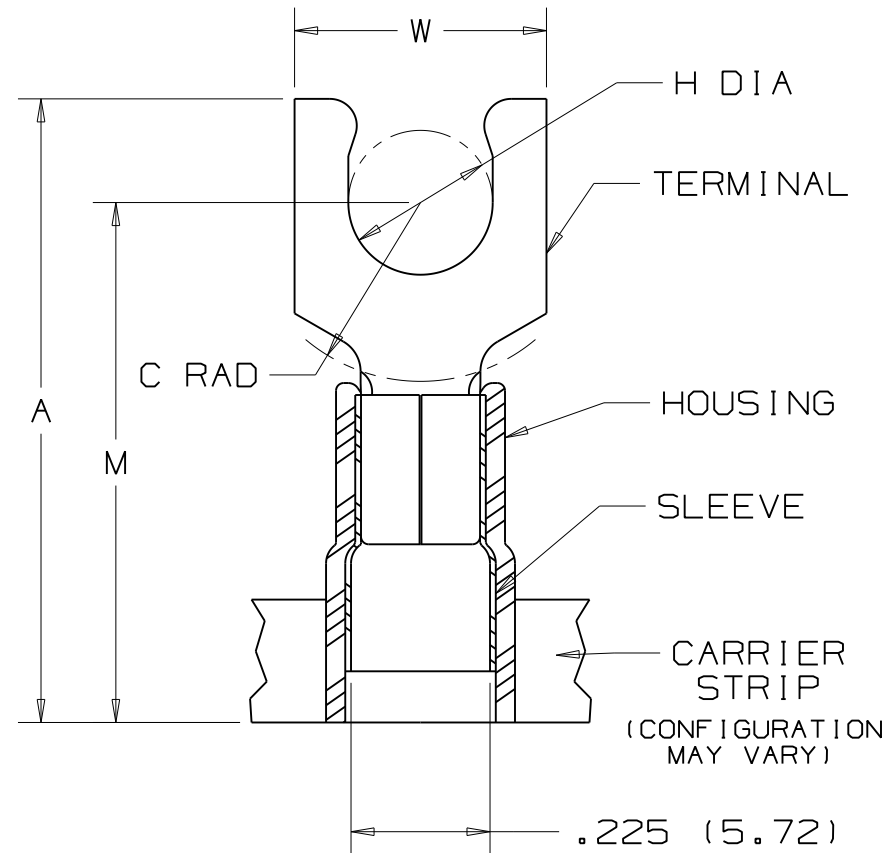


PANDUIT PART NUMBER	STUD SIZE	DIMENSIONS in.				
		A ±.040	W ±.010	C ±.020	M ±.040	H ±.010
PN10-8SLF-2K	#8	.92 (23.37)	.29 (7.37)	.22 (5.59)	.79 (20.07)	.16 (4.06)
PN10-10SLF-2K	#10	.92 (23.37)	.33 (8.38)	.22 (5.59)	.79 (20.07)	.19 (4.83)

NOTES :

- UL LISTED AND CSA CERTIFIED FOR :
 - 600 V MAX. VOLTAGE RATING
 - 221°F (105°C) MAX. TEMP. RATING
 - #12-10 AWG (2.5-6.0 mm²) SOLID OR STRANDED, COPPER WIRE
- PACKAGE QTY. : 2K = 2000 PCS.
CONTINUOUS MOLDED CARRIER STRIP
- MATERIAL :
 - STAMPING - .04" THK COPPER, TIN PLATED
 - HOUSING - YELLOW NYLON
 - SLEEVE - BRASS, TIN PLATED
- DIMENSIONS IN BRACKETS ARE IN MILLIMETERS
- INSTALLATION TOOLS :
 - PRESSES - CP-851, CP-860, CP-861
 - APPLICATOR - CA-800
 - DIE INSERTS - CD-800-3
- WIRE STRIP LENGTH: $9/32^{+1/32}_{-0}$ (7.1^{+0.8}₋₀)



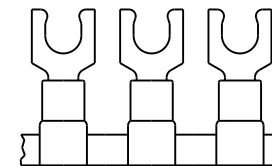
.225 (5.72)
 MAX WIRE
 INSUL DIA
 .130 (3.30)
 MIN. WIRE
 INSUL. DIA.



LISTED
587H
E52164



CERTIFIED
LR31212



				PANDUIT CORP. TINLEY PARK, ILLINOIS		
				TERMO 3PC CONTINUOUSLY MOLDED NYLON INSULATED, 12-10 BARREL, SHORT LOCKING FORKS		
06	10/07	SRB		Removed part#'s PN10-5SLF-2K, PN10-6SLF-2K, PN10-14SLF-2K Parts obsoleted		
REV	DATE	BY	CHK	DESCRIPTION	ECN	CUST PM
				DRAWN BY	CHK'D	SCALE
				FES	LA	NONE
				DRAWING NO.		A41089