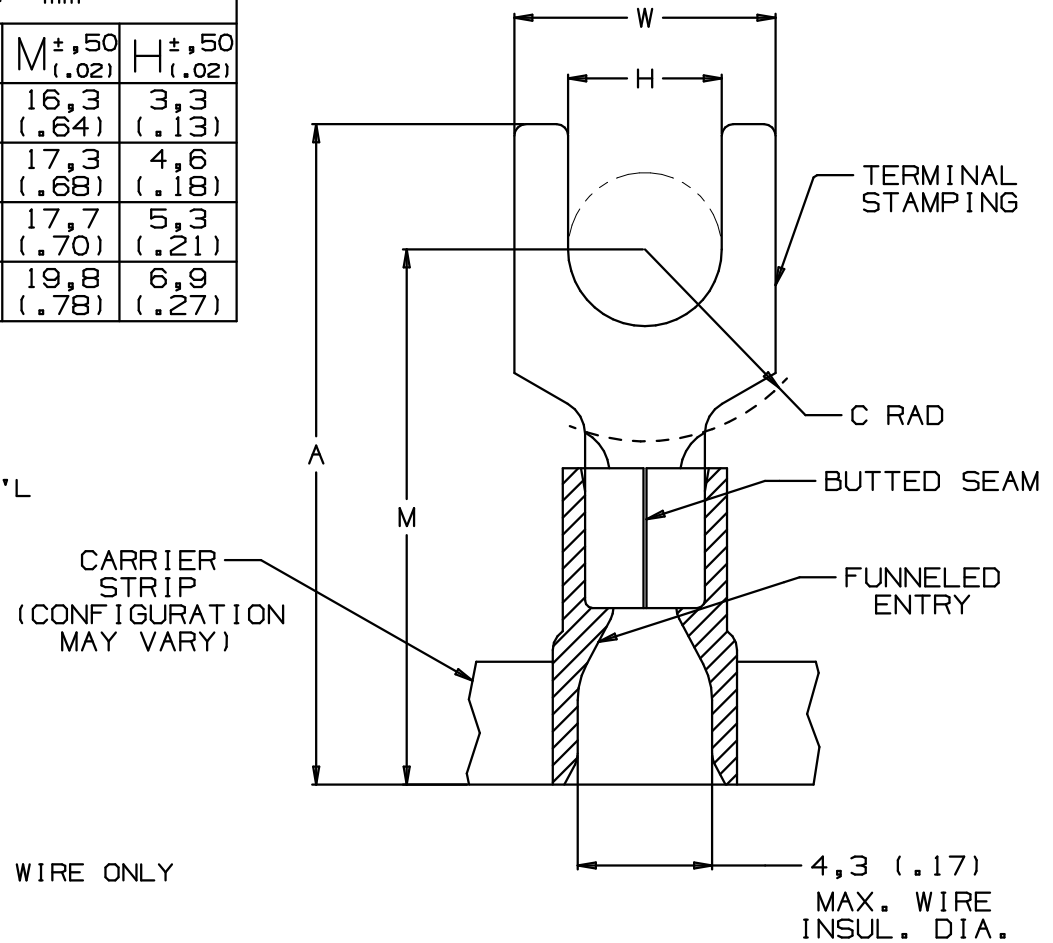


THIS COPY IS PROVIDED ON A RESTRICTED BASIS AND IS NOT TO BE USED IN ANY WAY DETRIMENTAL TO THE INTERESTS OF PANDUIT CORP.

PART NUMBER	STUD SIZE	WIRE RANGE mm <sup>2</sup> (AWG)	DIMENSIONS mm				
			A ±.80 (.03)	W ±.25 (.01)	C ±.38 (.01)	M ±.50 (.02)	H ±.50 (.02)
PMV2-3FB-3K	M3	1,5-2,5 (16-14)	19,8 (.78)	5,9 (.23)	5,1 (.20)	16,3 (.64)	3,3 (.13)
PMV2-4FB-3K	M4	1,5-2,5 (16-14)	21,3 (.84)	7,9 (.31)	5,8 (.23)	17,3 (.68)	4,6 (.18)
PMV2-5FB-3K	M5	1,5-2,5 (16-14)	21,8 (.86)	8,6 (.34)	6,4 (.25)	17,7 (.70)	5,3 (.21)
PMV2-6FB-3K	M6	1,5-2,5 (16-14)	26,2 (1.03)	11,2 (.44)	8,5 (.33)	19,8 (.78)	6,9 (.27)

NOTES:

- USED FOR:
  - A. 600V MAX. BUILDING WIRE  
1000V MAX. IN SIGNS, FIXTURES, AND LUMINAIRES
  - B. 105°C (221°F) MAX. TEMP. RATING OF INSUL. MAT'L
  - C. STRANDED COPPER WIRE ONLY
- PACKAGE QTY:  
3K = 3000 PCS. ON CONTINUOUSLY MOLDED CARRIER STRIP
- MATERIAL:
  - A. STAMPING: .81 (.03) THK. COPPER, TIN PLATED
  - B. HOUSING: BLUE VINYL
- WIRE STRIP LENGTH:  $6,4^{+.8}_{-0}$  ( $1/4^{+1/32}_{-0}$ )
- DIMENSIONS IN BRACKETS ARE IN INCHES OR AWG
- UL LISTED AND CSA CERTIFIED WITH COPPER 16-14AWG WIRE ONLY



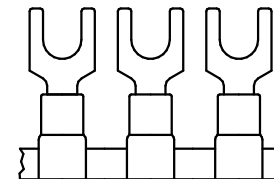
		PANDUIT PRESS					
		CP-851 <i>DISCONTINUED</i>	CP-860 <i>DISCONTINUED</i>	CP-861	CP-862	CP-871 60HZ	CP-871/E 50HZ
APPLICATORS	CA-800		X	X			
	CA-800EZ	X				X	X
	CA9				X	X	X



LISTED  
587H  
E52164



CERTIFIED  
LR31212



A41617\_01

								<b>PANDUIT</b> CORP.		TINLEY PARK, ILLINOIS	
01	3/06	DAW	DAW	ADDED PANDUIT PRESS & APPLICATOR CHART	TR00083			2 PC. CONTINUOUSLY MOLDED VINYL INSULATED METRIC FORK 1,5-2,5mm <sup>2</sup> BARREL			
00	9/97	JKD	WJB	RELEASED	6191	LA	DBH				
REV	DATE	BY	CHK	DESCRIPTION	ECN	CUST	PM	DRAWN BY	CHK'D	SCALE	DRAWING NO.
								TSM		NONE	A41617