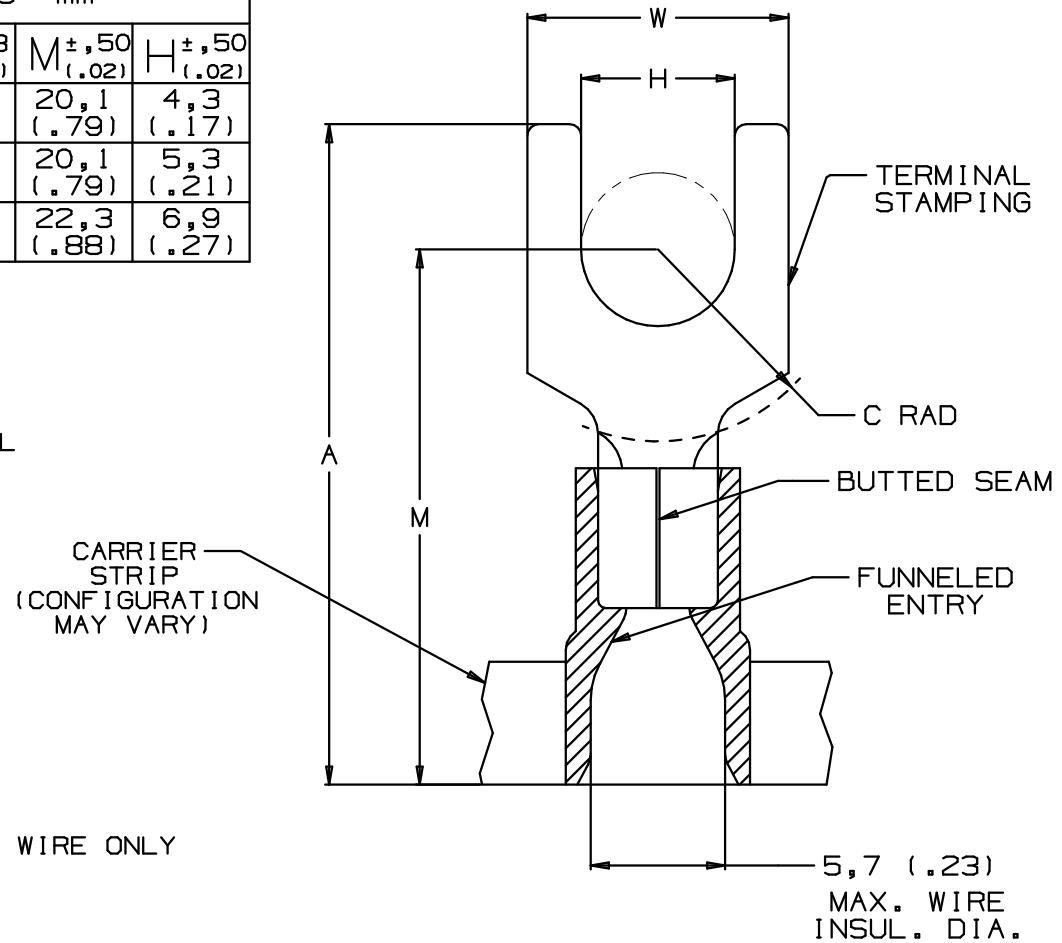


THIS COPY IS PROVIDED ON A RESTRICTED BASIS AND IS NOT TO BE USED IN ANY WAY DETRIMENTAL TO THE INTERESTS OF PANDUIT CORP.

PART NUMBER	STUD SIZE	WIRE RANGE mm <sup>2</sup> (AWG)	DIMENSIONS mm				
			A ±.80 (.03)	W ±.25 (.01)	C ±.38 (.01)	M ±.50 (.02)	H ±.50 (.02)
PMV6-4FB-2K	M4	2,5-6,0 (12-10)	25,9 (1.02)	7,9 (.31)	6,2 (.24)	20,1 (.79)	4,3 (.17)
PMV6-5FB-2K	M5	2,5-6,0 (12-10)	25,9 (1.02)	9,7 (.38)	6,2 (.24)	20,1 (.79)	5,3 (.21)
PMV6-6FB-2K	M6	2,5-6,0 (12-10)	28,7 (1.13)	11,0 (.43)	8,2 (.32)	22,3 (.88)	6,9 (.27)

NOTES:

- USED FOR:
  - 600V MAX. BUILDING WIRE
  - 1000V MAX. IN SIGNS, FIXTURES, AND LUMINAIRES
  - 105°C (221°F) MAX. TEMP. RATING OF INSUL MAT'L
  - SOLID OR STRANDED COPPER WIRE
- PACKAGE QTY:  
2K = 2000 PCS. ON CONTINUOUSLY MOLDED CARRIER STRIP
- MATERIAL:
  - STAMPING: 1,02 (.04)THK. COPPER, TIN PLATED
  - HOUSING: YELLOW VINYL
- WIRE STRIP LENGTH:  $8,7^{+,8}_{-0}$  ( $11/32^{+1/32}_{-0}$ )
- DIMENSIONS IN BRACKETS ARE IN INCHES OR AWG
- UL LISTED AND CSA CERTIFIED WITH COPPER 12-10AWG WIRE ONLY



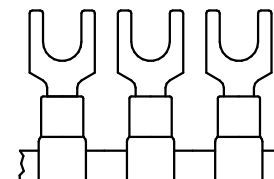
		PANDUIT PRESS					
		CP-851 <i>DISCONTINUED</i>	CP-860 <i>DISCONTINUED</i>	CP-861	CP-862	CP-871 60HZ	CP-871/E 50HZ
APPLICATORS	CA-800		X	X			
	CA-800EZ	X				X	X
	CA9				X	X	X



LISTED  
587H  
E52164



CERTIFIED  
LR31212



A41618\_01

								<b>PANDUIT</b> CORP. TINLEY PARK, ILLINOIS	
01	3/06	DAW	DAW	ADDED PANDUIT PRESS & APPLICATOR CHART	TR00083			2 PC. CONTINUOUSLY MOLDED VINYL INSULATED METRIC FORK 2,5-6,0mm <sup>2</sup> BARREL	
00	9/97	JKD	WJB	RELEASED	6191	LA	JBH		
REV	DATE	BY	CHK	DESCRIPTION	ECN	CUST	PM	DRAWN BY	CHK'D
								TSM	
								SCALE	NONE
								DRAWING NO.	A41618