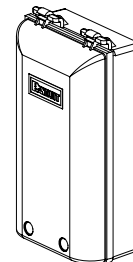
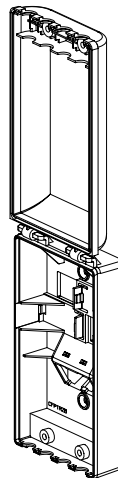
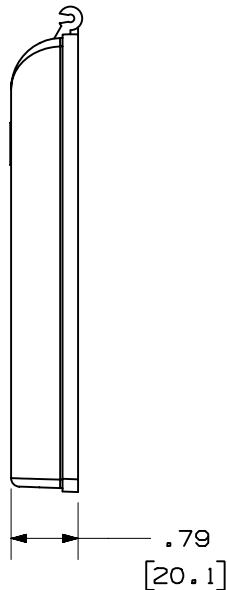
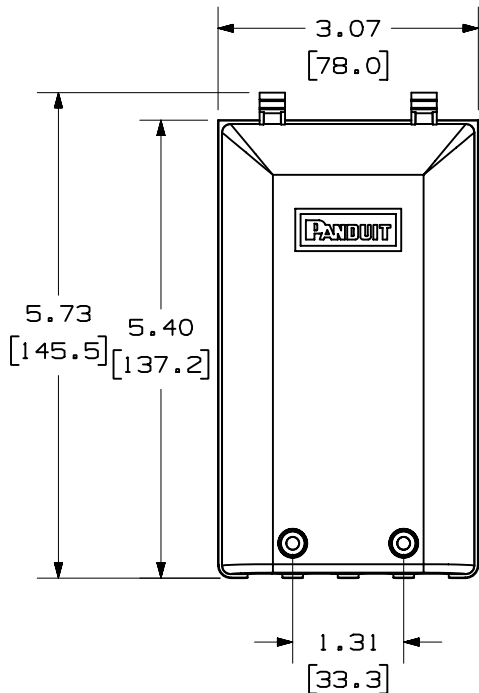


THIS COPY IS PROVIDED ON A RESTRICTED BASIS AND IS NOT TO BE USED IN ANY WAY DETRIMENTAL TO THE INTERESTS OF PANDUIT CORP.

PANDUIT P/N	WEIGHT
CFPTR2B**	2.59 LB/10 PCS (1174.1 g/10 PCS)



NOTES:

- SEE CURRENT CATALOG FOR ADDITIONAL PART NUMBER SUFFIXES TO INDICATE COLOR AND OR PACKAGE QUANTITY.
- SEE CATALOG FOR A COMPLETE LIST OF PARTS APPLICABLE FOR USE WITH THIS PART.
- DIMENSIONS IN PARENTHESES ARE IN METRIC.
- PARTS INCLUDED:
 - 2- MOUNTING SCREW #6-32 X 1" (SECURES FACEPLATE TO WALL)
 - 2- TAMPER RESISTANT SCREW HEX BUTTON HEAD #6-32 X 1.25" (SECURES COVER TO BASE)
 - 1- BASE
 - 1- COVER
 - 2- COVER SCREW #6-32 X 1.25" COMBINATION PAN HEAD (SECURES COVER TO BASE)

MODEL FILENAME	MO1445AA_CFPTR2B_ASMBLY_02.PRT	SIZE	A
DRAWING FILENAME	MO1445AA_DC_02A.PRT		

MINI-COM™ TAMPER RESISTANT FACEPLATE WITH 2 BREAKOUT PORTS CUSTOMER DRAWING

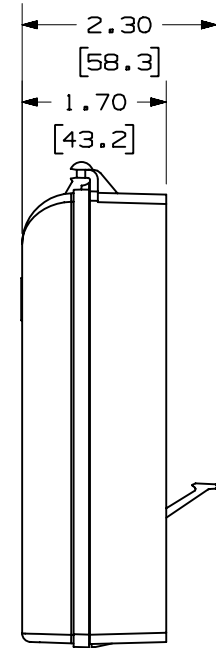
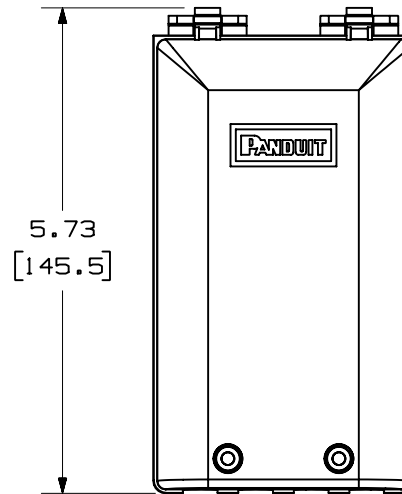
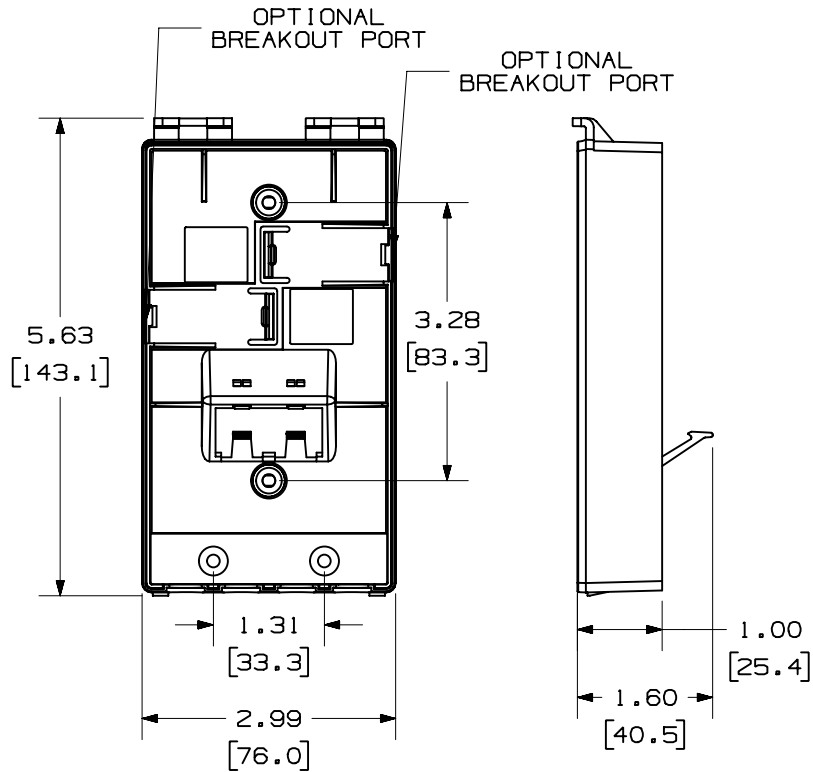


I.I. NUMBER	N/A
PRODUCT SPEC	N/A
WORK INSTRUCTION	N/A
SCALE	FULL
PART NO.	CFPTR2B**
DRAWING NO.	01445-02 SHEET 1 OF 2

ALL DIMENSIONS ARE GIVEN IN INCHES, UNLESS OTHERWISE SPECIFIED. DIMENSIONAL TOLERANCES ARE: (.X) ±.03 (.XXX) ±.005 (.XX) ±.01 ANGLES ± 1°	
THIRD ANGLE PROJECTION	
DRAWN BY	JsP
DATE	12-15-04
CHK'D	
REVIEW DRAWING NUMBERS	
MATERIAL:	PC

REV	DATE	BY	CHK	DESCRIPTION	ECN	R	CUST	SUP	OTH
R	12-15-04	JsP		RELEASED TO PRODUCTION	01445-02				

THIS COPY IS PROVIDED ON A RESTRICTED BASIS AND IS NOT TO BE USED IN ANY WAY DETRIMENTAL TO THE INTERESTS OF PANDUIT CORP.



MODEL FILENAME M01445AA_CFTR2B_ASMBLY_02.PRT	SIZE A
DRAWING FILENAME M01445AA_DC_02A.PRT	

MINI-COM™ TAMPER RESISTANT FACEPLATE WITH 2 BREAKOUT PORTS CUSTOMER DRAWING

<p>PANDUIT™ CORP. TINLEY PARK, ILL 60477</p>	I.I. NUMBER	N/A
	PRODUCT SPEC	N/A
	WORK INSTRUCTION	N/A
	SCALE	NONE
<p>THIRD ANGLE PROJECTION</p>	<p>ALL DIMENSIONS ARE GIVEN IN INCHES, UNLESS OTHERWISE SPECIFIED.</p> <p>DIMENSIONAL TOLERANCES ARE: (.X) ±.03 (.XXX) ±.005 (.XX) ±.01 ANGLES ± 1°</p>	
DRAWN BY JsP	REVIEW DRAWING NUMBERS	PART NO. CFPTR2B**
DATE 12-15-04	MATERIAL: PC	DRAWING NO. 01445-02 SHEET 2 OF 2
CHK'D		

REV	DATE	BY	CHK	DESCRIPTION	ECN	R	CUST	SUP	OTH
R	12-15-04	JsP		SEE SHEET 1 OF 2.	01445-02				