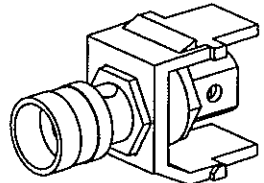
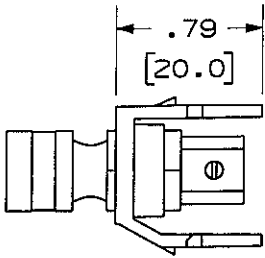
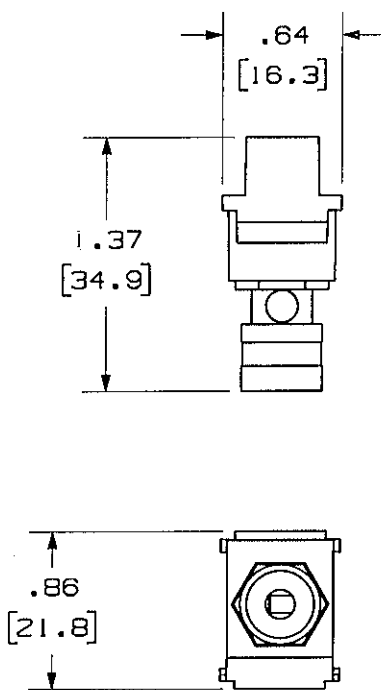


THIS COPY IS PROVIDED ON A RESTRICTED BASIS AND IS NOT TO BE USED IN ANY WAY DETRIMENTAL TO THE INTERESTS OF PANDUIT CORP.



PANDUIT P/N	WEIGHT
NKBPR**Y	.25 LB/10 PCS (15.2 g/10 PCS)
NKBPB**Y	.25 LB/10 PCS (15.2 g/10 PCS)

- NOTES:
- SEE CURRENT CATALOG FOR ADDITIONAL PART NUMBER SUFFIXES TO INDICATE COLOR AND OR PACKAGE QUANTITY.
 - SEE CATALOG FOR COMPLETE LIST OF PARTS APPLICABLE FOR USE WITH THIS PART.
 - DIMENSIONS IN PARENTHESES ARE IN METRIC.

NETWORK SYSTEMS
MAY 25 2006
ENGINEERING DEPT

MODEL FILENAME	MO0741AO_NKBPM_00.PRT	SIZE	A
DRAWING FILENAME	MO24791S_DC229_00A.PRT		
NETKEY 5-WAY BINDING POST MODULE CUSTOMER DRAWING			
 PANDUIT™ CORP. TINLEY PARK, ILL 60477	1:1 NUMBER	N/A	
	PRODUCT SPEC	N/A	
 THIRD ANGLE PROJECTION	WORK INSTRUCTION	N/A	
	SCALE	NONE	
DRAWN BY JsP	MATERIAL:	PART NO.	
DATE 4-19-06	MODULE - ABS CONNECTOR - GOLD PLATED	NKBPR**Y NKBPB**Y	
CHK'D MJD		DRAWING NO.	
		02479-229	

REV	DATE	BY	CHK	DESCRIPTION	ECN	R	CUST	SUP	OTH
R	4-19-06	JsP	MJD	RELEASED TO PRODUCTION	02479-229	MJD	MJD		