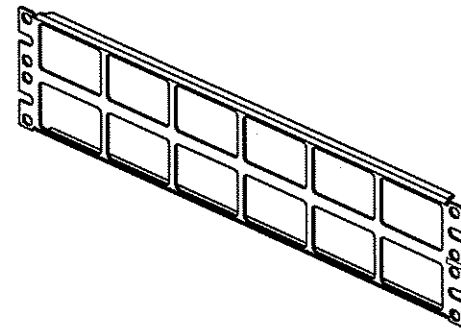
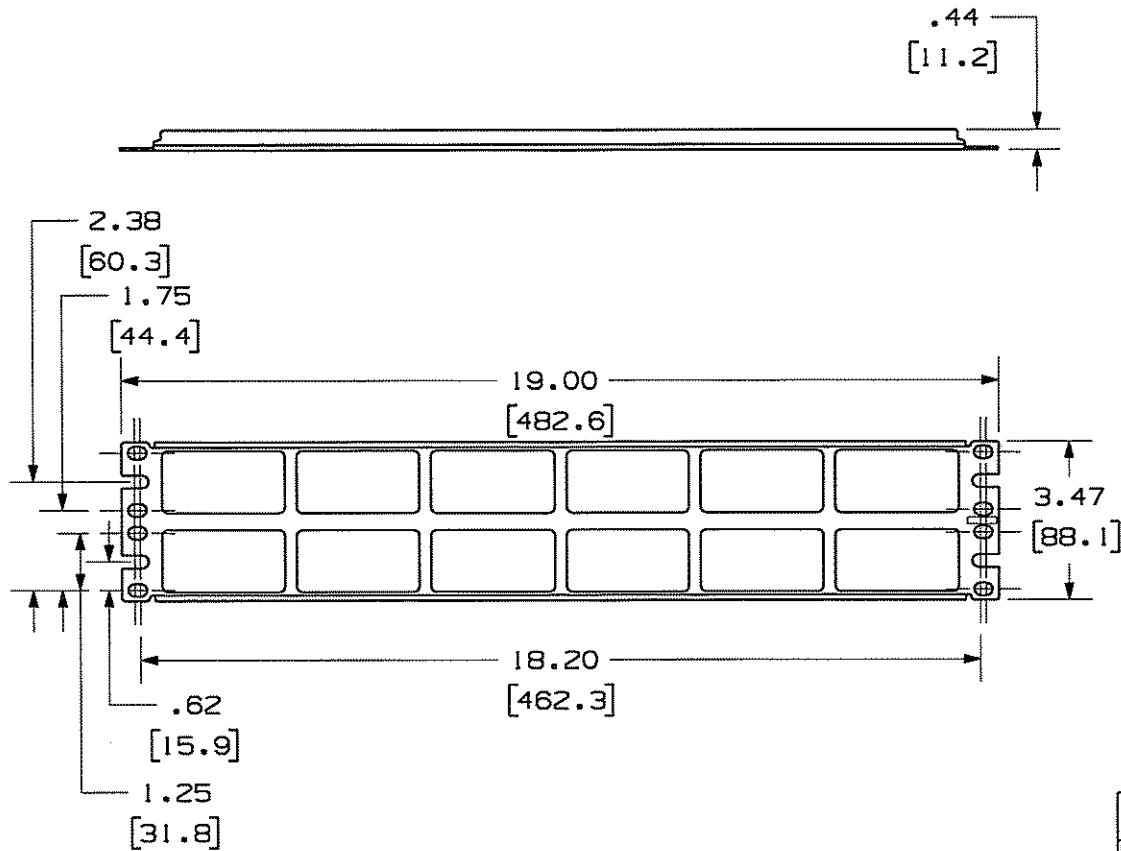


THIS COPY IS PROVIDED ON A RESTRICTED BASIS AND IS NOT TO BE USED IN ANY WAY DETRIMENTAL TO THE INTERESTS OF PANDUIT CORP.

PANDUIT PART NO.*	WEIGHT
CPP48BLY	8.5 LB/10 PCS (3855.5 g/10 PCS)

NOTES:

- SEE CURRENT CATALOG FOR VARIOUS APPLICATIONS WITH THIS WIRING SYSTEM.
- THE PATCH PANEL IS DESIGNED FOR MOUNTING TO 19" UNIVERSAL RACKS.
- PACKAGE CONTENTS:
  - (1) -48 PORT STAMPING
  - (1) -SCREW KIT (INCLUDES FOUR #12-24 SCREWS)
  - (1) -SCREW KIT (INCLUDES FOUR M6 SCREWS)
- PATCH PANEL ACCEPTS SELECT SNAP-IN FURNITURE FACEPLATES.
- DIMENSIONS IN PARENTHESIS ARE IN METRIC.



DRAWING FILENAME		M02479DJ_DC090_00A.PRT		SIZE	A
48 PORT PATCH PANEL FRAME CUSTOMER DRAWING					
PANDUIT™ TINLEY PARK, ILL 60477		I.I. NUMBER		N/A	
		PRODUCT SPEC		N/A	
THIRD ANGLE PROJECTION		WORK INSTRUCTION		N/A	
		SCALE		NONE	
DRAWN BY		MATERIAL:		PART NO.	
JsP		16 GA. C.R.S.		CPP48BLY	
DATE		3-21-07		DRAWING NO.	
REV		3-21-07		02479-090	
BY		JsP			
CHK		PBD			
DESCRIPTION		RELEASED TO PRODUCTION			
ECN		02479-090			
R		PBD			
CUST		PBD			
SUP					
OTH					

REV	DATE	BY	CHK	DESCRIPTION	ECN	R	CUST	SUP	OTH
R	3-21-07	JsP	PBD	RELEASED TO PRODUCTION	02479-090	PBD	PBD		