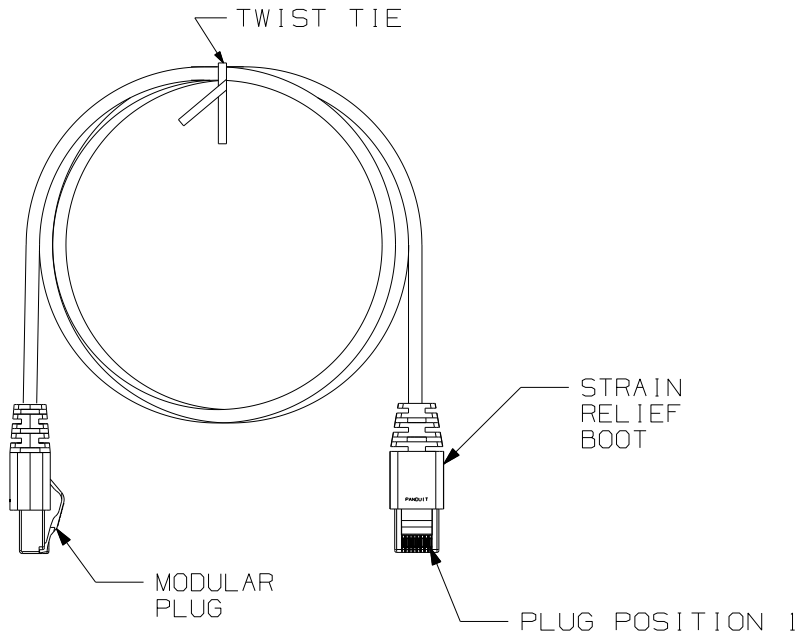


THIS COPY IS PROVIDED ON A RESTRICTED BASIS AND IS NOT TO BE USED IN ANY WAY DETRIMENTAL TO THE INTERESTS OF PANDUIT CORP.



NOTES:

- \*\*1. SEE CURRENT NETKEY™ CATALOG FOR VARIOUS APPLICATIONS AND TO INDICATE COLOR AND OR PACKAGE QUANTITY.
- 2. SEE CATALOG FOR A COMPLETE LIST OF PARTS APPLICABLE FOR USE WITH THIS PART.
- 3. TERMINATED WITH (8 POSITION) MODULAR PLUGS ON BOTH ENDS PER T568B.
- 4. CONSTRUCTED WITH 4-PR/24AWG STRANDED UTP CAT6 PATCH CABLE
- 5. MATERIAL:  
 PLUG: POLYCARBONATE  
 BOOT: THERMOPLASTIC RESIN
- 6. DIMENSIONS IN PARENTHESES ARE METRIC.

T568B WIRING SCHEME

| PLUG POSITION: | CABLE WIRE:  |
|----------------|--------------|
| 1              | WHITE/ORANGE |
| 2              | ORANGE       |
| 3              | WHITE/GREEN  |
| 4              | BLUE         |
| 5              | WHITE/BLUE   |
| 6              | GREEN        |
| 7              | WHITE/BROWN  |
| 8              | BROWN        |

| CABLE COLORS | ** = COLOR |
|--------------|------------|
| WHITE        | --         |
| BLACK        | BL         |
| BLUE         | BU         |
| RED          | RD         |
| YELLOW       | YL         |
| GREEN        | GR         |
| ORANGE       | OR         |
| VIOLET       | VL         |

| PANDUIT PART NUMBER | MIN. CABLE LENGTH |
|---------------------|-------------------|
| NK6PC3**Y           | 3 FT.             |
| NK6PC5**Y           | 5 FT.             |
| NK6PC7**Y           | 7 FT.             |
| NK6PC10**Y          | 10 FT.            |
| NK6PC14**Y          | 14 FT.            |
| NK6PC20**Y          | 20 FT.            |
| NK6PC1M**Y          | 1 m               |
| NK6PC2M**Y          | 2 m               |
| NK6PC4M**Y          | 4 m               |
| NK6PC5M**Y          | 5 m               |

|                       |      |
|-----------------------|------|
| MODEL FILENAME        | SIZE |
| DRAWING FILENAME      | A    |
| M01302CO_DC41_00A.PRT |      |

TITLE  
 NETKEY CATEGORY 6 UTP PATCH CORD  
 CUSTOMER DRAWING

|   |                         |
|---|-------------------------|
| <p>PANDUIT<sup>®</sup> CORP.<br/>                 TINLEY PARK, IL 60477</p> | I.T. NUMBER             |
|   | PRODUCT SPEC            |
| <p>THIRD ANGLE PROJECTION</p>   | WORK INSTRUCTION        |
|   | SCALE<br>NONE           |
| DRAWN BY<br>BJN   | REVIEW DRAWING NUMBERS  |
| DATE<br>5-07-07   | PART NO.<br>NK6PCXX**Y  |
| CHK'D<br>EJH  | DRAWING NO.<br>01302-41 |

| REV | DATE    | BY  | CHK | DESCRIPTION            | ECN      | R   | CUST | SUP | OTH |
|-----|---------|-----|-----|------------------------|----------|-----|------|-----|-----|
| R   | 5-07-07 | BJN | EJH | RELEASED TO PRODUCTION | 01302-41 | EJH | REGA |     |     |