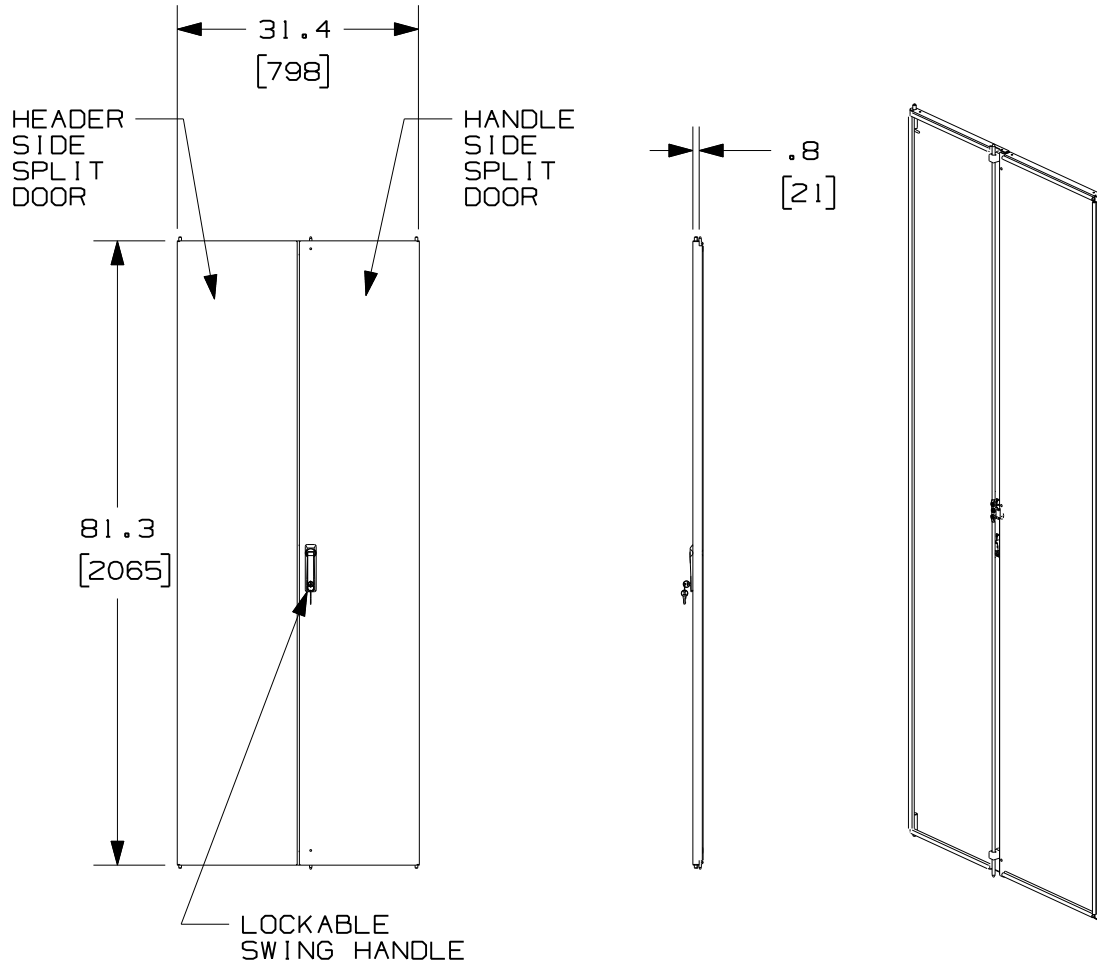


THIS COPY IS PROVIDED ON A RESTRICTED BASIS AND IS NOT TO BE USED IN ANY WAY DETRIMENTAL TO THE INTERESTS OF PANDUIT CORP.



FRONT

SIDE ISO VIEW

SEALS INSTALLED
ON HEADER &
HANDLE SIDES

PANDUIT P/N	WEIGHT
CNDSS	58 LBS/EACH 26.3 Kg/EACH

NOTES:

- VISIT OUR ON-LINE CATALOG AT WWW.PANDUIT.COM FOR A LIST OF CURRENT PARTS APPLICABLE FOR USE WITH THIS PRODUCT.
- PARTS SUPPLIED:
 - 1 - HANDLE SIDE SECTION WITH SEALS
 - 1 - HEADER SIDE SECTION WITH SEALS
- DIMENSIONS IN PARENTHESIS ARE METRIC

MODEL FILENAME	V10738A1/00.PRT
CAD FILENAME/LAYERS	V10738A1_DC/00A.PRT
<h1>PANDUIT</h1> CORP. TINLEY PARK, ILLINOIS	
32" WIDE X 45RU SOLID SPLIT DOORS (CNDSS) FOR NET ACCESS CABINET CUSTOMER DRAWING	

UNLESS OTHERWISE SPECIFIED, DIMENSIONAL TOLERANCES ARE:

INCHES	[METRIC - MILLIMETER]	ANGLE
X.X +/- 0.03	X. +/- 0.8	+/- 1°
X.XX +/- 0.015	X.X +/- 0.4	
X.XXX +/- 0.005	X.XX +/- 0.13	

UNLESS OTHERWISE SPECIFIED, ALL DIMENSIONS ARE GIVEN IN INCHES, THIRD ANGLE PROJECTION.

REV	DATE	BY	CHK	DESCRIPTION	ECN	R	CUST	SUP	OTH
OOA	6-21-11	LEE	ANI	RELEASED TO PRODUCTION	V10738A1-DC		JDWE		

DRAWN BY LEE	MAT'L:	SCALE NONE
DATE 6-21-11		DRAWING NO. V10738A1-DC
CHK'D ANI		DWG A SIZE