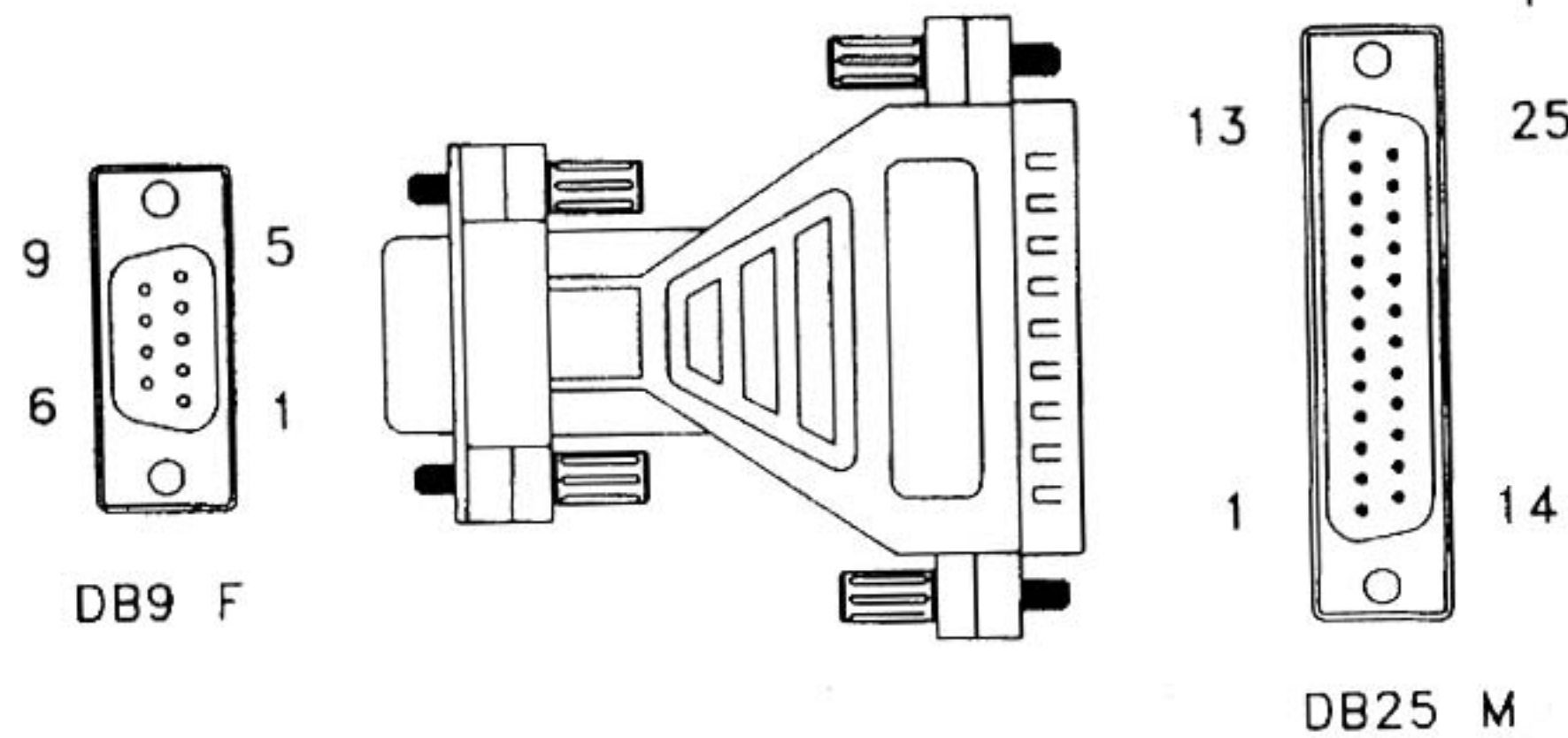


REVISIONS				
ZONE	REV	DESCRIPTION	DATE	APPROVED




CONSTRUCTION:

- 1.CABLE WIRE: * UL1061 26AWG.
- CONNECTORS:**
- 2.DB25M:
 - * D-SUB 25PIN MALE SOLDER TYPE.
 - * SHELL: STEEL WITH NICKEL PLATED.
 - * PIN CONTACTS: GOLD PLATED OVER NICKEL.
 - * INSULATOR: WHITE COLOR P.B.T UL 94V-0 RATED.
 - * UNC4#-40 *23.5mm BEIGE COLOR.
- 3.DB9F:
 - * D-SUB 9PIN FEMALE SOLDER TYPE.
 - * SHELL: STEEL WITH NICKEL PLATED.
 - * PIN CONTACTS: GOLD PLATED OVER NICKEL.
 - * INSULATOR: WHITE COLOR P.B.T UL 94V-0 RATED.
 - * UNC4#-40 *23.5mm BEIGE COLOR.
- 4.SHIELDED: * SHIELDED: 360° AL-FOIL SHIELDED.
- 5.HOOD: * MOLDED: PVC 45P BEIGE.
- 6.TEST: * CT: 2 ohm IS: 5M ohm.
- 7.PACKING:
 - *(1)PACK EACH ADAPTER IN A (7.5cm*10cm*0.06t PRINTED "MADE IN CHINA") POLY, BAG WITH HEAT SEALED; PACK 10 PCS IN A (8.5"*15"*0.06t)POLY BAG.
 - *(2)PACK EACH ADAPTER IN A VACUUM COVER,
- 8.MATERIAL: * MATERIAL WITH RoHS GRADE.

PIN OUT

DB9F	DB25M
1	8
2	3
3	2
4	20
5	7
6	6
7	4
8	5
9	22
SHELL	SHELL

BY	DATE	 PAN PACIFIC ENTERPRISES CO.,INC	
DRAWN			
CHK'D			
APPRV			
MATERIAL	SEE NOTES	PART NO	
FINISH	SEE NOTES	AD-D25M9F-A	
		UNITS mm	SHEET 1 OF 1
		SCALE NONE	