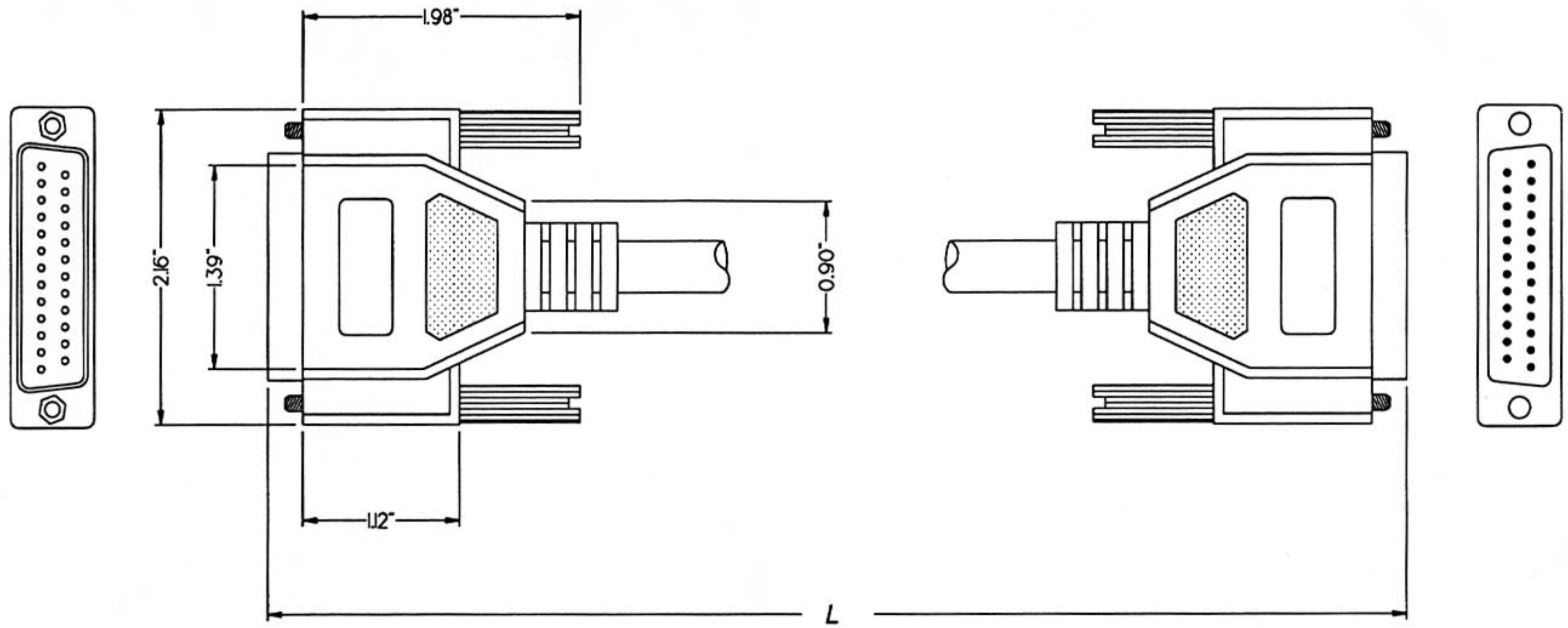


PART NO.: S-25(XX)-(L)




OPTIONS: (XX) MM-male to male; MF-male to female; FF-female to female
 (L) Length available: 2', 6', 10', 15', 25', 50', 100'

- CHARACTERS:**
1. VOLTAGE RATING: 30V
 2. TEMPERATURE RATING: 80 degree C
 3. CONDUCTOR RESISTANCE: 26AWG 184.94Ω/KM MAX. at 20 degree C.
 4. INSULATION RESISTANCE: DC-500V 10MΩ/KM MIN. at 20 degree C.
 5. CAPACITANCE: 1: wire&wire: 85pf/M.
 2: wire&other wire connector shield: 164pf/M. at 1000 HZS
 6. FLAME-RETARDANT PROPERTIES: HI-POT TEST: AC-750 V/3sec.

SHIELD: AL-FOIL\MYLAR: Overlap 25% MIN. (AL side inside)
 Drain wire: 24AWG (7/0.2TA)

- JACKET:**
1. MAT'L: PVC
 2. THICKNESS: 1.2
 3. OD: 7.0 ± 0.15
 4. COLOR: GRAY

BY	DATE	 PAN PACIFIC ENTERPRISES CO., INC.	
DRAWN :			
CHK 'D :			
APPRV :			
MATERIAL :		TITLE :	
		RS232 CABLES	
FINISH :	UNITS :	SIZE	REV.
	INCH		
	SCALE		