

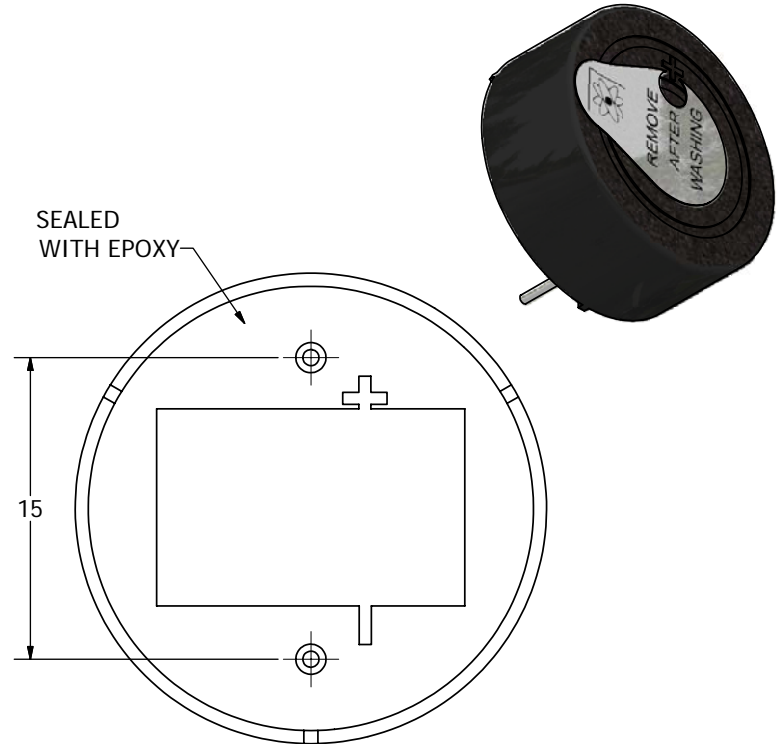
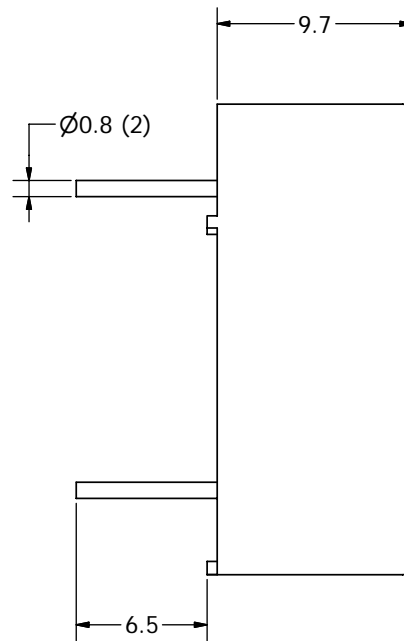
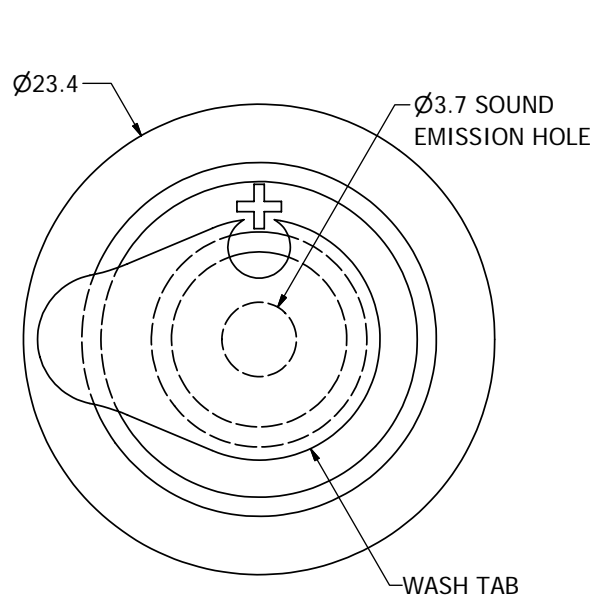
SPECIFICATIONS

| PARAMETERS | VALUES | UNITS |
|-------------------------|------------------|--------------|
| RATED VOLTAGE | 12 | Vdc |
| OPERATING VOLTAGE RANGE | 3 ~ 20 | Vdc |
| RATED CURRENT (MAX) | 15 | mA |
| MINIMUM SPL @ 10 CM | 85 | dBA |
| RESONANT FREQUENCY | 3,100 ± 500 | Hz |
| TONE OR PULSE RATE | CONTINUOUS | 0 pulse /sec |
| OPERATING TEMPERATURE | -20 ~ +60 | °C |
| STORAGE TEMPERATURE | -20 ~ +70 | °C |
| HOUSING MATERIAL | NORYL | - |
| TERMINAL MATERIAL | Sn PLATED COPPER | - |
| WEIGHT | 3 | grams |

THIS DOCUMENT CONTAINS DATA PROPRIETARY TO PROJECTS UNLIMITED, INC. ANY USE OR REPRODUCTION, IN ANY FORM, WITHOUT PRIOR WRITTEN PERMISSION OF PROJECTS UNLIMITED, INC. IS PROHIBITED.
©2003, Projects Unlimited Inc.

REVISION HISTORY

| LTR | DESCRIPTION | DATE | APPROVED |
|-----|--|------------|----------|
| - | RELEASED FROM ENGINEERING | 8/23/2004 | |
| A | ADDED DIMENSION | 8/27/2004 | R.W. |
| B | REMOVED LEAD FREE NOTE ADDED RoHS | 8/10/2005 | |
| C | REVISED TERMINAL MATERIAL | 11/28/2006 | R.W. |
| D | ADDED EPOXY SEAL NOTE | 3/07/2007 | B.R. |
| E | REVISED TO INVENTOR 3-D DRAWING TEMPLATE | 12/21/2007 | B.R. |



NOTES:

1. ALL DIMENSIONS ARE IN MILLIMETERS.
2. SPECIFICATIONS SUBJECT TO CHANGE OR WITHDRAWAL WITHOUT NOTICE.
3. THIS PART IS RoHS 2002/95/EC COMPLIANT.

| | | | | | | | | | |
|--|-------------------|-------------|-----------|----------------------|------|-------------|-----------|------------|-------|
| UNLESS OTHERWISE SPECIFIED: DIMENSIONS ARE IN MILLIMETERS, TOLERANCES ARE ±0.5 AND ANGLES ARE ±3°. | SIZE A3 | Designed by | Date | Checked by | Date | Approved by | Date | Drawn Date | |
| | | R.A.C. | 8/23/2004 | | | R.W. | 8/23/2004 | 12/21/2007 | |
| AI-2331-TWT-R.idw | | | | AI-2331-TWT-R | | | Indicator | Edition | Sheet |
| | | | | | | | - | 1 / 1 | |