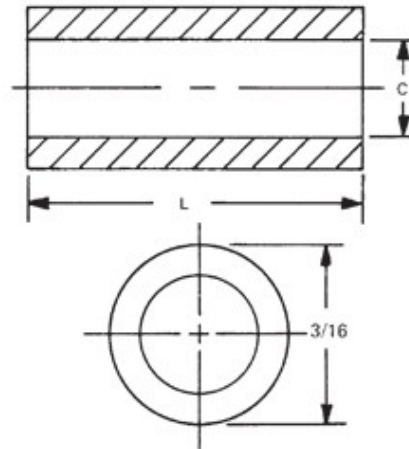




Home > [3/16 Round Spacers](#)

3/16 ROUND SPACERS



[Home](#) [Previous](#) [Next](#)
[Related Metric](#)

xxxxx	x	xx	x
Length	Clearance Hole	Material	Finish

PART: 1107 2 AL

Red ?'s show missing selections. [Help](#)

[Material Specifications](#)
[Ordering non-standard items](#)
[Download a Drawing](#)

Add to Cart

CALL NOW:
203 888-2133



Qty1 *

Qty2

Qty3

Length *

Select	Part No.	Length
<input type="radio"/>	1107A	3/32

Clearance Hole *

Select	Code	+0.010-.000
<input checked="" type="radio"/>	2	.090



Select	Part No.	Length
<input checked="" type="radio"/>	1107	1/8
<input type="radio"/>	1107T	5/32
<input type="radio"/>	1108	3/16
<input type="radio"/>	1108T	7/32
<input type="radio"/>	1109	1/4
<input type="radio"/>	1109T	9/32
<input type="radio"/>	1110	5/16
<input type="radio"/>	1110T	11/32

Select	Code	+0.010-.000
<input type="radio"/>	4	.115

Material *

Select	Code	Material	RoHS
<input checked="" type="radio"/>	AL	Aluminum	YES
<input type="radio"/>	B	Brass	YES
<input type="radio"/>	SS	Stainless Steel	YES
<input type="radio"/>	S	Steel	YES
<input type="radio"/>	N	Nylon	YES
<input type="radio"/>	PH	Phenolic	YES

Finish *

<input checked="" type="radio"/>	Plain Finish
<input type="radio"/>	1-Cad clear chromate/commercial*
<input type="radio"/>	2-Cad clear chromate*
<input type="radio"/>	3-Cad yellow chromate*
<input type="radio"/>	4-Chrome over nickel
<input type="radio"/>	5-Nickel
<input type="radio"/>	6-Gold iridite*
<input type="radio"/>	7-Clear iridite
<input type="radio"/>	9-Alodine 1200*
<input type="radio"/>	10-Bright chrome
<input type="radio"/>	11-Satin chrome
<input type="radio"/>	12-Zinc

