

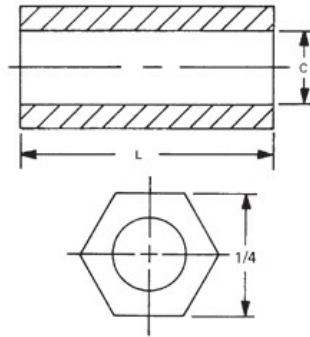


MW Industries, Inc.

- Home
- Products
- Online Catalog
- Request Quote
- Order Online
- Check Stock
- Request Print Catalog
- Request Samples
- Engineering Data
- Distributors
- Capabilities Brochure

Home > 1/4 Hex Spacers

**1/4 HEX SPACERS**



[Home](#) [Previous](#) [Next](#)  
[Related Metric](#)

|               |                |          |        |
|---------------|----------------|----------|--------|
| Ordering Code |                |          |        |
| xxxxx         | x              | xx       | x      |
|               |                |          |        |
| Length        |                | Material | Finish |
|               | Clearance Hole |          |        |

**PART: 1334 4 AL**

Red ?'s show missing selections. [Help](#)

- [Material Specifications](#)
- [Ordering non-standard items](#)
- [Download a Drawing](#)

**Add to Cart**

CALL NOW:  
203 888-2133

Qty1 \*  Qty2

Qty3

Length \*

| Select                           | Part No. | Length |
|----------------------------------|----------|--------|
| <input type="radio"/>            | 1330A    | 3/32   |
| <input type="radio"/>            | 1330     | 1/8    |
| <input type="radio"/>            | 1330T    | 5/32   |
| <input type="radio"/>            | 1331     | 3/16   |
| <input type="radio"/>            | 1331T    | 7/32   |
| <input type="radio"/>            | 1332     | 1/4    |
| <input type="radio"/>            | 1332T    | 9/32   |
| <input type="radio"/>            | 1333     | 5/16   |
| <input type="radio"/>            | 1333T    | 11/32  |
| <input checked="" type="radio"/> | 1334     | 3/8    |
| <input type="radio"/>            | 1334T    | 12/32  |

Clearance Hole \*

| Select                           | Code | +0.010-.000 |
|----------------------------------|------|-------------|
| <input type="radio"/>            | 2    | .090        |
| <input checked="" type="radio"/> | 4    | .115        |
| <input type="radio"/>            | 6    | .140        |
| <input type="radio"/>            | 8    | .166        |

Material \*

| Select                           | Code | Material        | RoHS |
|----------------------------------|------|-----------------|------|
| <input checked="" type="radio"/> | AL   | Aluminum        | YES  |
| <input type="radio"/>            | B    | Brass           | YES  |
| <input type="radio"/>            | SS   | Stainless Steel | YES  |
| <input type="radio"/>            | S    | Steel           | YES  |
| <input type="radio"/>            | N    | Nylon           | YES  |



Finish \*

|                                  |                                  |
|----------------------------------|----------------------------------|
| <input checked="" type="radio"/> | Plain Finish                     |
| <input type="radio"/>            | 1-Cad clear chromate/commercial* |
| <input type="radio"/>            | 2-Cad clear chromate*            |
| <input type="radio"/>            | 3-Cad yellow chromate*           |
| <input type="radio"/>            | 4-Chrome over nickel             |
| <input type="radio"/>            | 5-Zinc                           |
| <input type="radio"/>            | 6-Gold iridite*                  |
| <input type="radio"/>            | 7-Clear iridite                  |
| <input type="radio"/>            | 9-Alodine 1200*                  |
| <input type="radio"/>            | 10-Bright chrome                 |
| <input type="radio"/>            | 11-Satin chrome                  |
| <input type="radio"/>            | 12-Zinc                          |