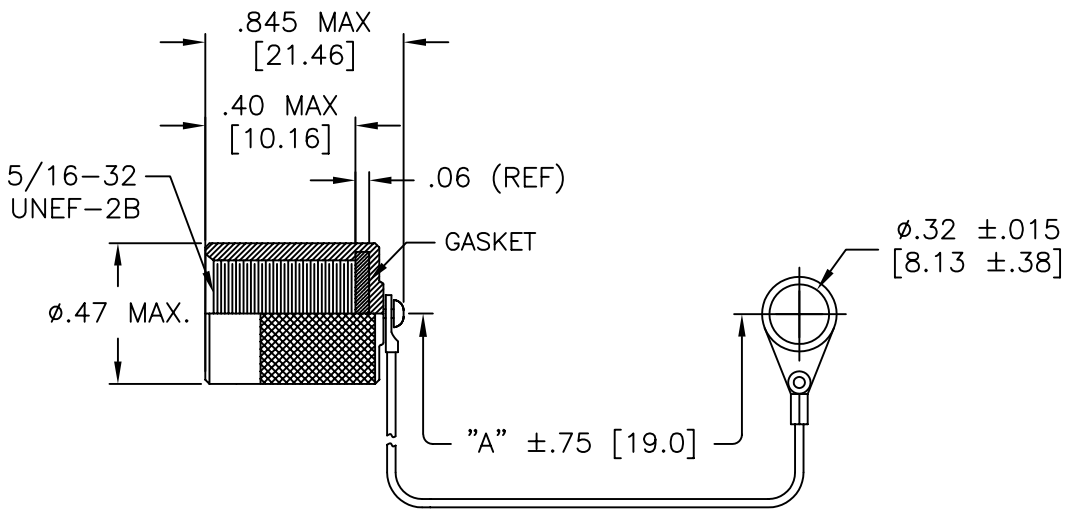


REVISION		
REV	DESCRIPTION	DATE
B	REVISED PER DCR NUMBER C040728	02JUN2004



-05	3.0 [76.2]
-04	7.0 [177.8]
-XX	"A" DIM.
DWG NUMBER TABULATION	

NOTES:

- COMPONENTS: MATERIAL / FINISH
 - A. COVER: BRASS ALLOY / TIN PLATED PER RAYCHEM ES 61400/18.
 - B. WIRE ROPE ASSEMBLY: CRES / PASSIVATED, TEFLON COATED.
 - C. RIVET: STAINLESS STEEL / PASSIVATED PER QQ-P-35.
 - D. GASKET: SILICONE RUBBER.
- KNURL STYLE IS MAUFACTURER'S OPTION.

© 2004 TYCO ELECTRONICS CORPORATION. ALL RIGHTS RESERVED.

If this document is printed it becomes uncontrolled.
Check for the latest revision.

SPECIFICATION CONTROL DRAWING

UNLESS OTHERWISE SPECIFIED DIMENSIONS ARE INCHES. METRIC DIMENSIONS ARE IN BRACKETS.

DECIMAL TOLERANCES
 .XXX ± 0.005 [0.13 mm]
 .XX ± 0.010 [0.25 mm]
 .X ± 0.020 [0.50 mm]

ANGLE TOLERANCE
 .X ± 0.5 DEG.

WEIGHT (MAXIMUM)
 LBS. 0.0165 [7.5 gm]

CAD FILE
 C040728

DRAWN	DATE
T RATZLAFF	19NOV2002
MATERIAL	SEE NOTES
FINISH	SEE NOTES
THIRD ANGLE PROJECTION	

tyco Electronics	TYCO ELECTRONICS 300 CONSTITUTION DRIVE MENLO PARK, CA 94025	Raychem
TITLE PROTECTIVE COVER		
SIZE A	CAGE CODE 06090	DWG. NO. D-600-0429-XX
DO NOT SCALE THIS DRAWING		SHEET 1 OF 1