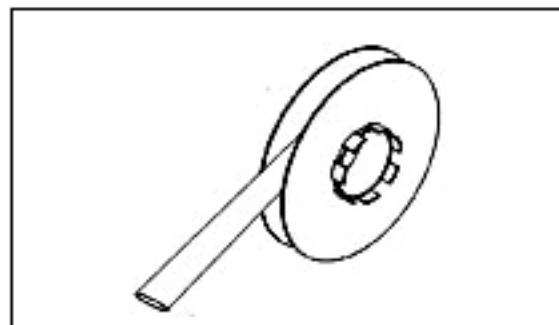


TTMS-4.8-4 Product Details

Share | Print | Email



TTMS-4.8-4

TE Internal Number: 721133-000

Active

Heat Shrink Sleeve

Always EU RoHS/ELV Compliant (Statement of Compliance)

Product Highlights:

- TTMS Series
- Military Grade
- Radiation Cross-Linked Polyolefin Material
- Shrink Ratio = 3:1
- Operating Temperature = -55 - 135 °C

[View all Features](#)

Quick Links

- ▶ Pricing & Availability
- ▶ Search for Tooling
- ▶ Product Feature Selector
- ▶ Contact Us About This Product

[Add to My Part List](#) [Request Sample](#) [Find Similar Products](#) [Buy Product](#)

Documentation & Additional Information	
<p>Product Drawings:</p> <ul style="list-style-type: none"> • None Available <p>Catalog Pages/Data Sheets:</p> <ul style="list-style-type: none"> • IDENTIFICATION PRINTER PRODUCT RIBBON MATRIX (PDF, English) <p>Product Specifications:</p> <ul style="list-style-type: none"> • None Available <p>Application Specifications:</p> <ul style="list-style-type: none"> • None Available <p>Instruction Sheets:</p> <ul style="list-style-type: none"> • None Available <p>CAD Files:</p> <ul style="list-style-type: none"> • None Available 	<p>Related Products:</p> <ul style="list-style-type: none"> • Tooling
List all Documents	

Product Features (Please use the Product Drawing for all design activity)	
<p>Product Type Features:</p> <ul style="list-style-type: none"> • Series = TTMS • Grade = Military • Color = Yellow <p>Dimensions:</p> <ul style="list-style-type: none"> • Expanded ID, Min. (mm [in]) = 4.75 [0.187] • Recovered ID, Max. (mm [in]) = 1.57 [0.062] • Recommended Wire OD Use Range (mm [in]) = 1.75 - 4.06 [0.069 - 0.16] <p>Body Features:</p> <ul style="list-style-type: none"> • Material = Radiation Cross-Linked Polyolefin • Shrink Ratio = 3:1 • Wall Thickness - Full Recovery (Nominal) (mm [in]) = 0.58 [0.023] 	<p>Industry Standards:</p> <ul style="list-style-type: none"> • RoHS/ELV Compliance = RoHS compliant, ELV compliant • Lead Free Solder Processes = Not relevant for lead free process • RoHS/ELV Compliance History = Always was RoHS compliant <p>Environmental:</p> <ul style="list-style-type: none"> • Operating Temperature (°C [°F]) = -55 - +135 [-67 - +275] <p>Packaging Features:</p> <ul style="list-style-type: none"> • Packaging Quantity = 100 <p>Other:</p> <ul style="list-style-type: none"> • Brand = TE Connectivity

Corporate Information

- [About TE](#)
- [Investors](#)
- [News Room](#)
- [Supplier Portal](#)
- [Careers](#)
- [Terms & Conditions](#)
- [Privacy Policy](#)

Quick Links

- [Distributor Inventory](#)
- [Product Cross Reference](#)
- [Documents & Drawings](#)
- [Product Compliance Support Center](#)
- [Site Map](#)

Customer Support

- [Email or Chat With Us](#)
- [Find a Phone Number](#)
- [Knowledge Base](#)
- [Manage Your Account](#)

Keep Me Informed

Receive TE News, Events & Technology Updates

Enter your email address

