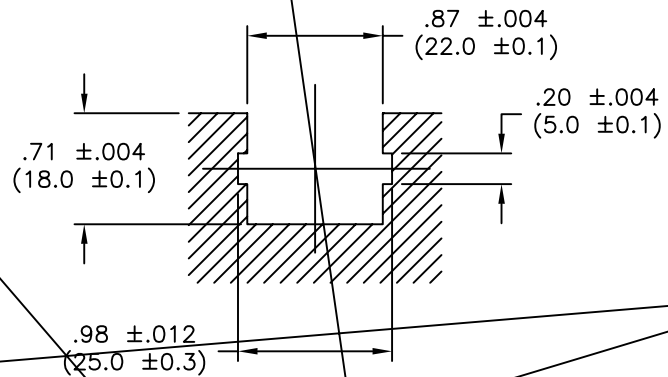


CHASSIS CUT-OUT
 PANEL THICKNESS: .020 TO .063 (0.5 TO 1.6)



ON (RMS-19)

AVAILABLE BY SPECIAL ORDER.
 2. COLOR: NATURAL.

TITLE: EDGE WIRE SADDLE		DWG IN IN(MM)		FINAL			
TOLERANCES UNLESS NOTED .XX=±.010 .XXX=±.005 FRAC=1/64 ANG=1°		FILE # HEWSE		DWN: J.B.		APP:	
S: 03.27.02		MAT'L: SEE NOTES		DT: 01-17-97		DT:	
RE: RICHCO, INC.		RICHCO INC.		PO BOX 804238, CHICAGO, 60680		PART # HEWSE-22-01	
ENGR DATE		ANG=1°		(773) 539-4060		PRINT TYPE CA	

REV	DESCRIPTION	ENGR	DATE
B	CHANGED NOTE 1, ADDED NOTE 2 ADDED THROUGH AND EDGE NOTE	SJ	03.27.02
A	ADDED 3 SIDA		