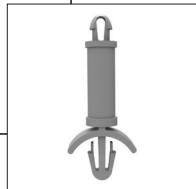


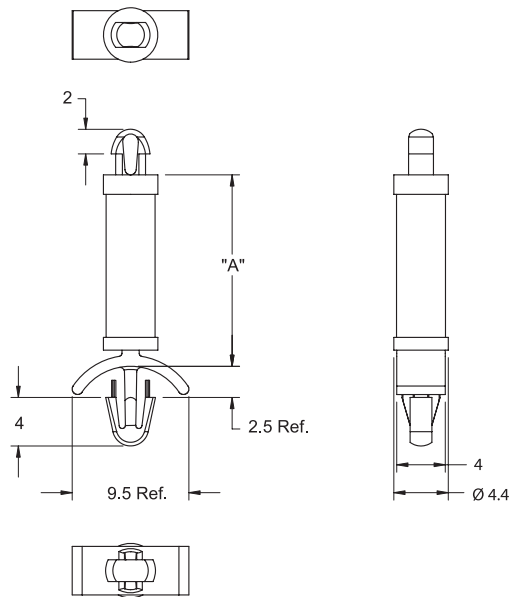


DLCBSAT - Dual Locking Circuit Board Support

03/2011-1



Top Hole: $\varnothing 2.54 \pm 0.05$
Panel Thickness: 1.63 Max.



Bottom Hole: $\varnothing 3.18 \pm 0.08$
Panel Thickness: 0.79 - 1.98

PRODUCT DATA:

Material: UL94 V-2 Nylon 6/6, RMS-01 Color: Natural	Material: UL94 V-0 Nylon 6/6, RMS-19 Color: Natural	"A" ± 0.4
DLCBSAT-2-01	DLCBSAT-2-19	3.2
DLCBSAT-3-01	DLCBSAT-3-19	4.8
DLCBSAT-4-01	DLCBSAT-4-19	6.4
DLCBSAT-5-01	DLCBSAT-5-19	7.9
DLCBSAT-6-01	DLCBSAT-6-19	9.5
DLCBSAT-7-01	DLCBSAT-7-19	11.1
DLCBSAT-8-01	DLCBSAT-8-19	12.7
DLCBSAT-9-01	DLCBSAT-9-19	14.3
DLCBSAT-10-01	DLCBSAT-10-19	15.9

FEATURES & BENEFITS:

- Teardrop fix provides low profile (2mm) above board as well as offering a locking fix for small holes ($\varnothing 2.54\text{mm}$)
- Arrowhead fix with tension wing provides good tension to the panel and offers a range of panel thicknesses accepted

OTHER RICHCO PRODUCT SOLUTIONS:



CHDLCBST



LCBS-7



LCBS



DLCBST