

Data sheet

BMT-DI4

BACnet module with digital inputs

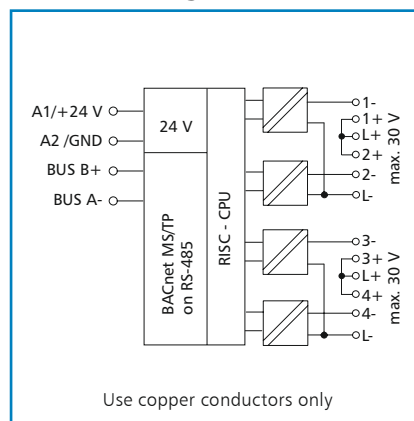
Part number
1108841319

2016-11-14

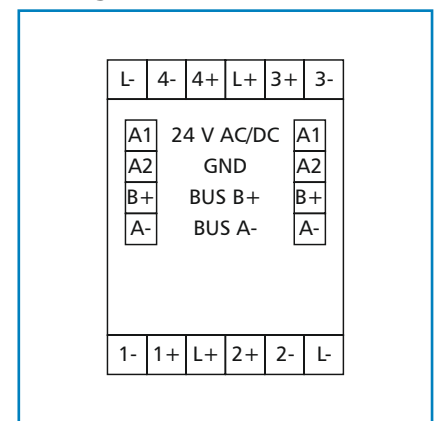
Illustrations



Principle diagram



Wiring



Product description

The BACnet MS/TP module with 4 digital inputs was developed for decentralized switching tasks.

It is suitable for detecting potential-free switch states, for example electrical limit switches on vent valves or auxiliary contacts of power contactors.

The inputs can be operated by means of potential-free switches or contacts or used as voltage inputs. The inputs can be scanned by means of standard objects via a BACnet client. The module is addressed and the bitrate is set by means of two address switches on the front.

Suitable for decentralized mounting on DIN TH35 rail according to IEC 60715 in electrical distribution cabinets.

Data sheet
BMT-DI4
BACnet module with digital inputs

Page 2/4
Part number
1108841319
 2016-11-14

Technical data

Approvals	
C-UL Certification	Open Energy Management Equipment 34TZ
BACnet interface	
Protocol	BACnet MS/TP
Address range	00 to F9
Transmission rate	9600 to 115200 Bit/s, factory setting 9600 Bit/s
Cabling	RS485 two wire bus with potential equalization in bus or line topology terminate with 120 Ohm
Supply	
Operating voltage	24 V AC/DC \pm 10 % (SELV)
Current consumption	50 mA (AC) / 20 mA (DC)
Relative duty cycle	100 %
Inputs	
Digital inputs	4
Voltage input	30 V DC
High signal recognition	>7 V AC/DC
Housing	
Dimensions WxHxD	1.378 x 2.728 x 2.362 in. (35 x 69.3 x 60 mm)
Weight	95 g
Mounting position	any
Mounting	on TH35 rail per IEC 60715
Side-by-side mounting	Without space The maximum quantity of BACnet modules connected side-by-side is limited to 15 or to a maximum power consumption of 2 Amps (AC or DC) per connection to the power supply. For any similar block of additional modules a separate connection to the power supply is necessary.
Material	
Housing	polyamide 6.6 V0
Terminal blocks	polyamide 6.6 V0
Cover	polycarbonate
Type of protection (IEC 60529)	
Housing	IP40
Terminal blocks	IP20

Data sheet
BMT-DI4
BACnet module with digital inputs

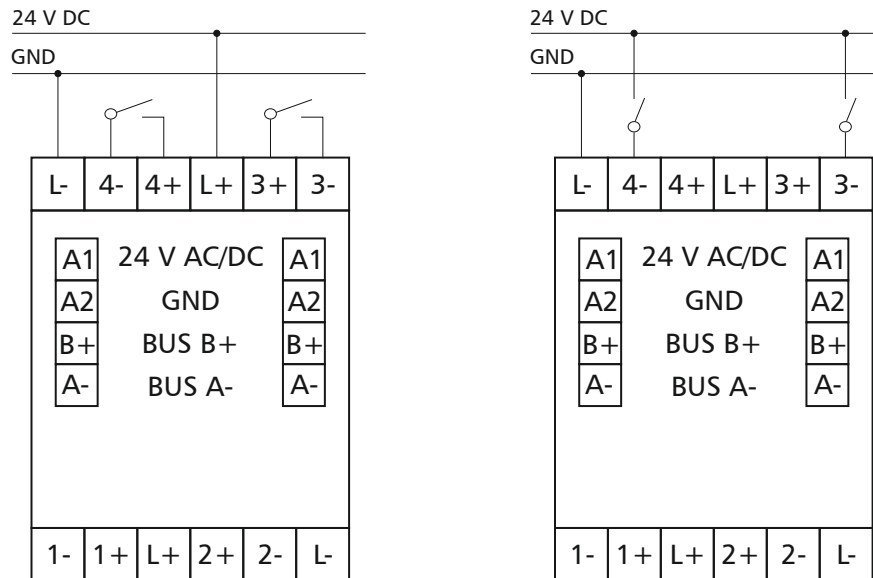
Page 3/4
Part number
1108841319
 2016-11-14

Technical data

Terminal blocks	
Supply and bus	
Terminal block	4-pole
Solid wire	max. AWG 16 (1.5 mm ²)
Stranded wire	max. AWG 18 (1.0 mm ²)
Wire diameter	0.3 mm to max. 1.4 mm
Module connection, digital inputs	
Solid wire	max. AWG 12 (4 mm ²)
Stranded wire	max. AWG 14 (2.5 mm ²)
Wire diameter	0.3 mm to max. 2.7 mm
Protective circuitry	Polarity reversal protection of operating voltage Polarity reversal protection of supply and bus
Temperature range	
Operation	23 °F to 131 °F (-5 °C to +55 °C)
Storage	-4 °F to +158 °F (-20 °C to +70 °C)
Display	
Operating and bus activity	green LED
Error indication	red LED
Status of the inputs	yellow LEDs
Additional documents	
Software description, mounting note, certificates	All additional documents are available for download at www.metz-connect.com



Connection examples



Dimensional drawing

