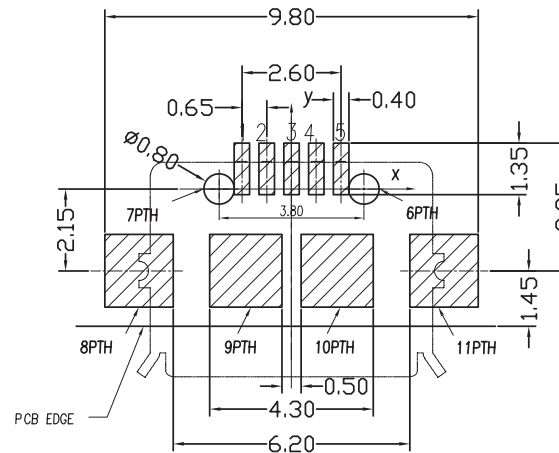
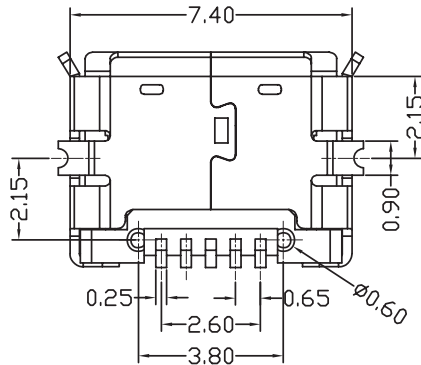
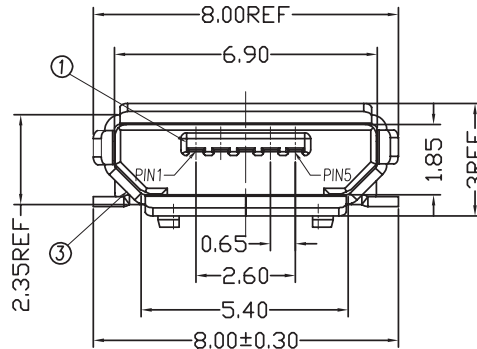
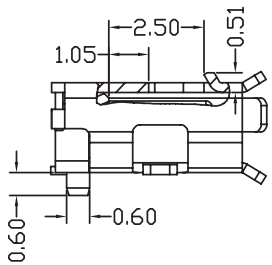


Specification:

1. Current rating: 1 A Max.
2. Dielectric withstanding voltage: 30V(ac) for 1 minute.
3. Contact resistance: 30 mΩ Max.
4. Insulation resistance: 1000 MΩ Min at DC 500V.
5. Insertion force: 35 Newtons Max.
6. Extraction force: 10 Newtons Min.
7. Temperature range: -30°C~+80°C



RECOMMENDED PCB LAYOUT

Ordering Information

AJS17G	5	5	1	X
--------	---	---	---	---

Type Positions Contacts Ports Plating
3=30u"
F=Flash

No.	Name	Q'ty	Material	Remarks & Thickness	Finish
3	Shell	1	SUS	T=0.25mm	Nickel Plated
2	Contact	5	copper alloy	T=0.20mm	Contact area: 30u"Gold Plated over 40u"Nickel min. ALL Gold Plated
1	Housing	1	LCP	UL 94-V0	Black

Tolerance
unless otherwise specified

mm
 .0 ± .30
 .00 ± .20
 .000 ± .XXX
 angles ± 3°



P/N: AJS17G551X

Desc.: Micro-USB type B receptacle, Horizontal
SMD, mates with AJP39G Micro-B plug

Date: 3-4-14

Dimensions in mm

Revision 2